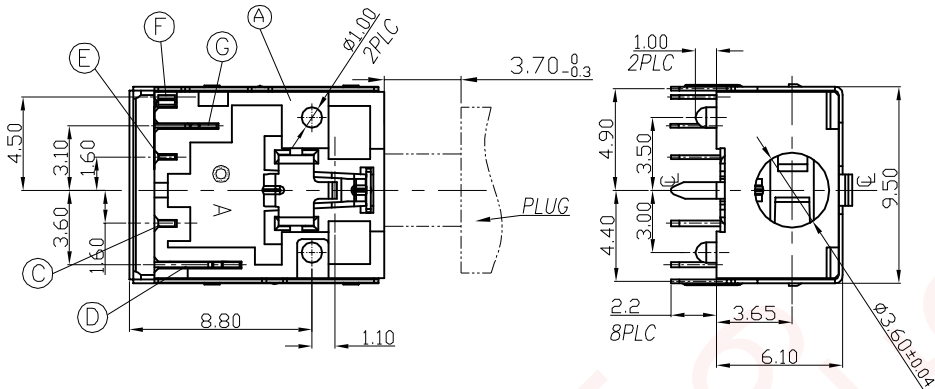
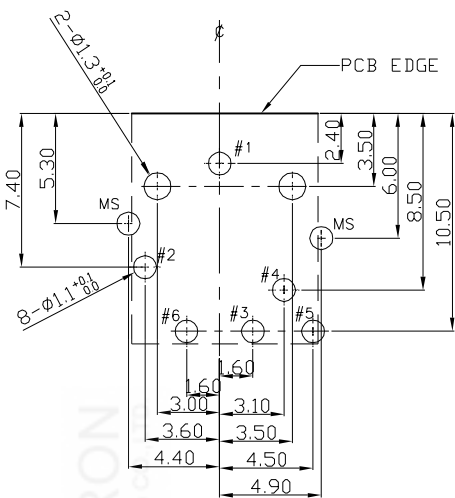


REV.	ECN NO OR DESCRIPTION	REVISED	DATE
A	PDR NO: T150209-3A	MARS	2015.05.20

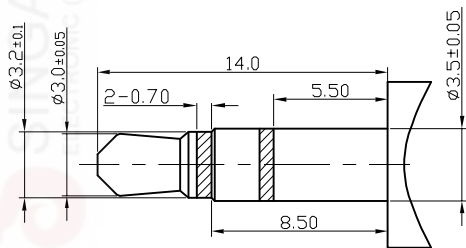
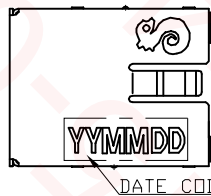
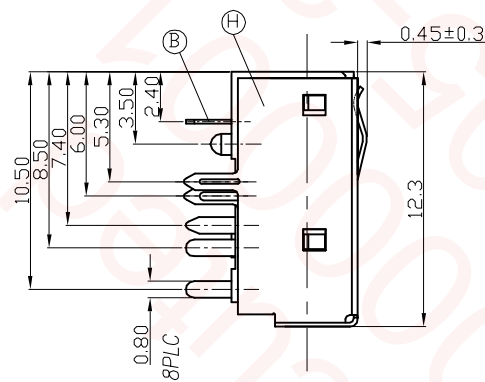


SPECIFICATIONS:

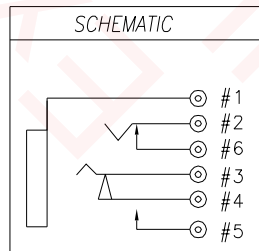
- ELECTRICAL CHARACTERISTICS:**
 - 1-1. RATING: 12V 1A
 - 1-2. CONTACT RESISTANCE: 30mΩ MAX.(INITIAL)
 - 1-3. DIELECTRIC WITHSTANDING VOLTAGE: 500V AC FOR ONE MINUTE
 - 1-4. INSULATION RESISTANCE: 100MΩ MIN. MEASURED BY 500 VDC
- MECHANICAL CHARACTERISTICS:**
 - 2-1. INSERTION FORCE :0.3~3.0 KGF
 - 2-2. WITHDRAWAL FORCE : 0.3~3.0KGF
- LIFE TEST: 5,000 CYCLES MIN.**
- TO CONFORM TO SINGATRON HAZARDOUS SUBSTANCE FREE SPEC.**
- HALOGEN FREE PRODUCT IDENTIFICATION MARK ON PRODUCT:**
- HALOGEN FREE PRODUCT IDENTIFICATION LABEL ON PACKAGING:**
- FOR REFLOW SOLDERING LEAD-FREE PROCESS.**



RECOMMENDED PCB LAYOUT
TOP VIEW(TOL.±0.05)



RECOMMEND PLUG
3-POLE(±0.05)



NO	DESCRIPTION	QTY	MATERIAL	PLATING & COLOR
H	SHIELDING	1	PHOSPHOR BRONZE 0.2t	Ni 60u"
G	TRANSFER TERMINAL	1	PHOSPHOR BRONZE 0.2t	GOLD FLASH ON CONTACT AREA; Sn 120u" ON SOLDER TAIL OVER Ni 50u" Min.
F	BREAK TERMINAL	1	PHOSPHOR BRONZE 0.2t	
E	RING SPRING	1	PHOSPHOR BRONZE 0.2t	Au30u" ON CONTACT AREA Sn 120u" ON SOLDER TAIL OVER Ni 50u" Min.
D	TIP SPRING	1	PHOSPHOR BRONZE 0.25t	
C	SHUNT TERMINAL-A	1	BRASS 0.25t	GOLD FLASH ON CONTACT AREA; OVER Ni 50u" Min.
B	EARTH	1	PHOSPHOR BRONZE 0.2t	Au 30u" ON CONTACT AREA GOLD FLASH ON SOLDER ALL OVER 50u" Ni.
A	BODY	1	HIGH TEMP.THERMOPLASTIC UL 94V-0	BLACK

UNLESS OTHERWISE SPECIFIED TOLERANCES

Singatron Enterprise Co., Ltd.
信音企業股份有限公司

DECIMALS:	ANGLES:	TITLE	3.5Ø PHONE JACK		
X :±0.5	X :±2°	DWN	MARS	PART NO.2SJ-C351-037F	
X.X :±0.3	X.X :±1°	CHKD	BRUCE	SCALE:4:1	UNIT: mm
X.XX :±0.2		APVD	LUSSEN	SIZE: A3	SHEET:1 OF 1
REV: A					

CUSTOMER COPY