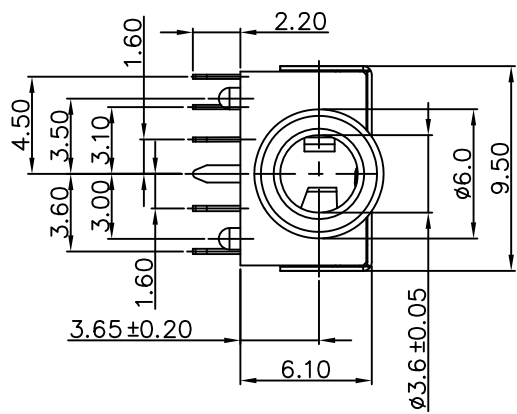
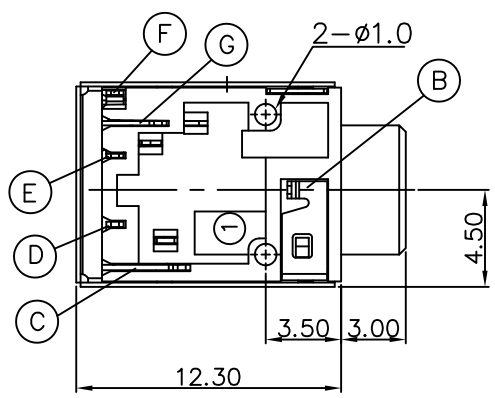
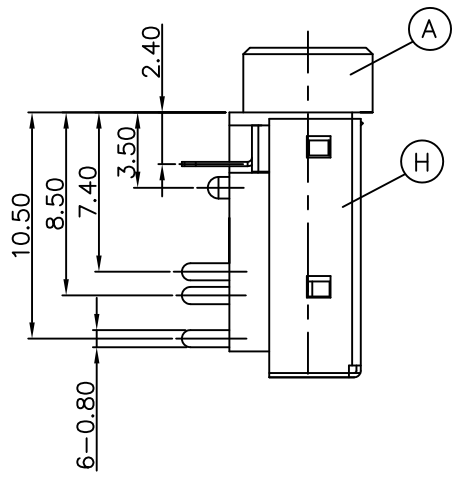
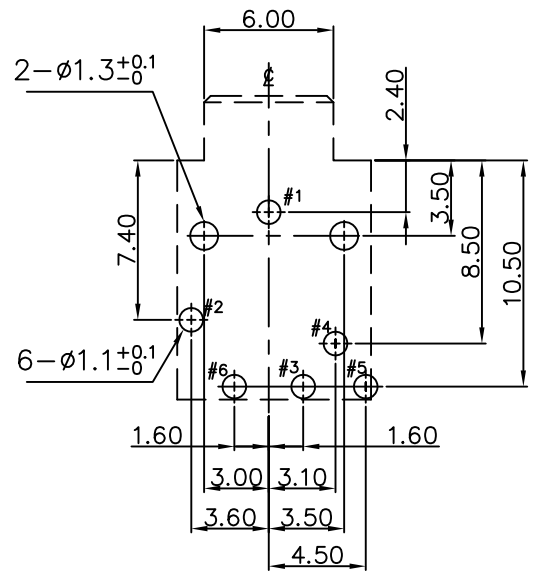


REV.	ECN NO OR DESCRIPTION	REVISED	DATE
A	PDR :T111031-3A	Jon	2011.12.15



SPECIFICATIONS:

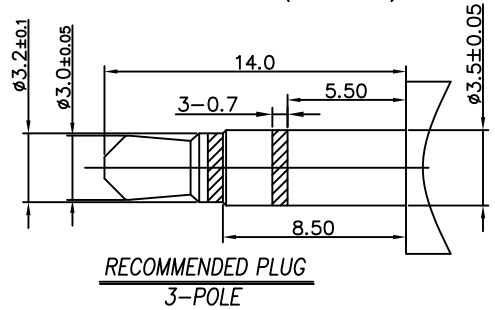
- ELECTRICAL CHARACTERISTICS:**
 - 1-1. RATING: 12V 1A
 - 1-2. CONTACT RESISTANCE: 30mΩ MAX.(INITIAL)
 - 1-3. DIELECTRIC WITHSTANDING VOLTAGE: 500V AC FOR ONE MINUTE.
 - 1-4. INSULATION RESISTANCE: 100MΩ MIN. MEASURED BY 500 VDC
- MECHANICAL CHARACTERISTICS:**
 - 2-1. INSERTION FORCE : 0.3~3.0 KGF
 - 2-2. WITHDRAWAL FORCE : 0.3~3.0 KGF
- LIFE TEST: 5,000 CYCLES MIN.**
- OTHER GENERAL SPEC. TO REFER "2.5 3.5 PHONE JACK-SPEC".**
- TO CONFORM TO SINGATRON HAZARDOUS SUBSTANCE FREE SPEC.**
- HALOGEN FREE PRODUCT IDENTIFICATION MARK ON PRODUCT: ☉**
- HALOGEN FREE PRODUCT IDENTIFICATION LOGO ON PACKING: Ⓢ**
- PACKAGING : TAPE & REEL.**
- FOR REFLOW SOLDERING LEAD-FREE PROCESS.**



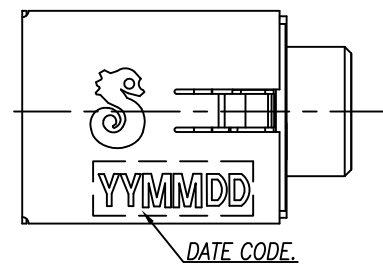
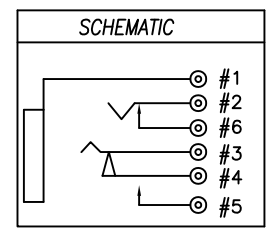
RECOMMENDED PCB LAYOUT
TOP VIEW (TOL.±0.05)

TABLE 1 :

P/N	COLOR
2SJ-C351-033F	LIME (577C)
2SJ-C351-034F	PINK (701C)



RECOMMENDED PLUG
3-POLE



NO	DESCRIPTION	QTY	MATERIAL	PLATING & COLOR
H	SHIELDING	1	COPPER ALLOY 0.2T	Ni 60u"
G	TRANSFER TERMINAL	1	PHOSPHOR BRONZE 0.2T	GOLD FLASH ON CONTACT AREA
F	BREAK TERMINAL	1	PHOSPHOR BRONZE 0.2T	120u" Sn ON SOLDER ALL OVER 50u" Ni.
E	RING SPRING	1	PHOSPHOR BRONZE 0.2T	
D	SHUNT TERMINAL-A	1	COPPER ALLOY 0.25T	GOLD FLASH ON CONTACT AREA OVER 50u" Ni.
C	TIP SPRING	1	PHOSPHOR BRONZE 0.25T	Ag 20u" Min, OVER 50u" Ni.
B	EARTH	1	PHOSPHOR BRONZE 0.2T	
A	BODY	1	HIGH TEMP.THERMOPLASTIC UL 94V-0	SEE "TABLE 1"
UNLESS OTHERWISE SPECIFIED TOLERANCES			Singatron Enterprise Co., Ltd. 信音企業股份有限公司	
DECIMALS: X :±0.5 X.X :±0.3 X.XX :±0.2		ANGLES: X :±2° X.X :±1°		
TITLE		3.5Ø PHONE JACK		
DWN	Jon 2011.12.15	PART NO. 2SJ-C351-03XF		
CHKD	Bruce 2011.12.20	SCALE:4:1	UNIT: MM	☉
APVD	Lussen 2011.12.20	SIZE: A3	SHEET: 1 OF 1	REV:A
CUSTOMER COPY				