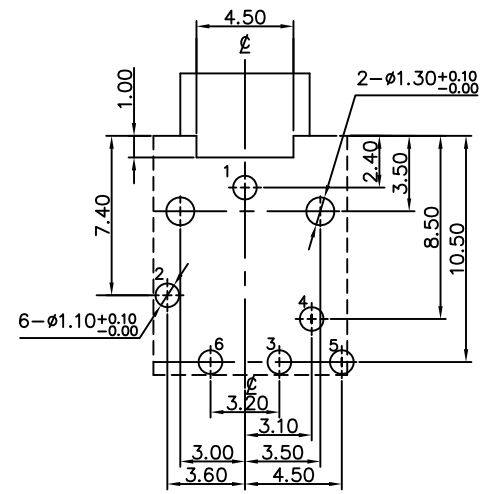
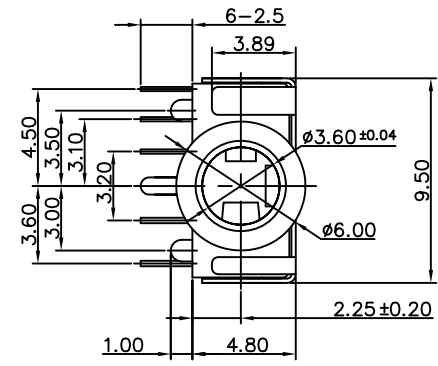
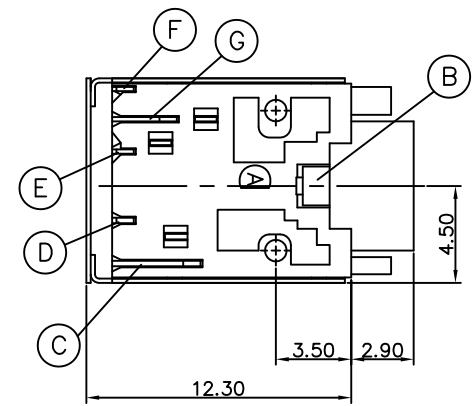
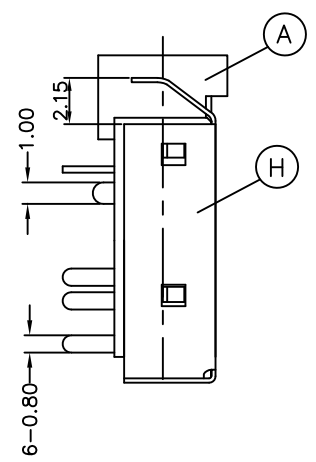


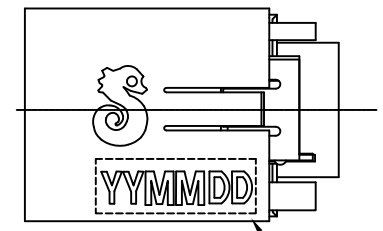
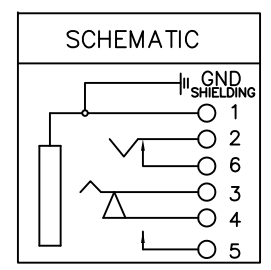
REV.	ECN NO OR DESCRIPTION	REVISED	DATE
A	PDR NO.T111004-5A	JIE-XIAO	2012.01.13



RECOMMENDED P.C.B LAYOUT  
TOP VIEW(TOL.±0.05)



PART NO.	PLATING & COLOR
2SJ-C351-030H	BLUE (284C)
2SJ-C351-031H	LIME (577C)
2SJ-C351-032H	PINK (701C)



DATE CODE.  
DD: DAY  
MM: MONTH  
YY: YEAR

SPECIFICATIONS :

- INSULATION RESISTANCE BETWEEN ANY ADJACENT OPEN CIRCUIT TERMINAL SHELL NOT BE LESS THAN 100MΩ MEASURED BY 500 VDC MEGGER.
- CONTACT RESISTANCE : 30mΩ MAX.
- INSULATION VOLTAGE WITHSTAND : 500V AC FOR ONE MINUTE.
- UNLESS OTHERWISE SPECIFIED. TEST IS TO BE MADE AT 5-35°C IN TEMPERATURE AND 45-85% IN HUMIDITY. BUT,IF ANY VAGUE DATA IS OCCURED ON TEST RESULT, ANOTHER TEST SHALL BE MADE AT 20°C±2°C IN TEMP., 60-70% IN HUMIDITY.
- LIFE TEST : 5,000 CYCLES MIN. (NON-LOAD)
- INSERTION FORCE : 0.4 - 3Kg.
- WITHDRAWAL FORCE : 0.3 - 2Kg.
- AFTER LIFE TEST, CONTACT RESISTANCE: 50mΩ MAX.
- AFTER HUMIDITY TEST, INSULATION RESISTANCE : 50MΩ MIN.
- MARKING: MARK "S" ON TOP OF CONNECTOR.
- PACKAGING : TAPE & REEL.
- TO CONFORM TO SINGATRON HAZARDOUS SUBSTANCE FREE SPEC.
- GREEN PRODUCT IDENTIFICATION MARK ON JACK:
- GREEN PRODUCT IDENTIFICATION LABEL ON PACKAGING: **G.P. PASS**
- FOR LEAD-FREE PROCESS.

NO	DESCRIPTION	QTY	MATERIAL	PLATING & COLOR
H	SHIELDING	1	PHOSPHOR BRONZE 0.2t	Ni 60u"
G	TRANSFER TERMINAL	1	PHOSPHOR BRONZE 0.2t	GOLD FLASH ON CONTACT AREA;
F	BREAK TERMINAL	1	PHOSPHOR BRONZE 0.2t	Sn 120u" ON SOLDER TAIL;
E	RING SPRING	1	PHOSPHOR BRONZE 0.2t	OVER Ni 50u" Min.
D	SHUNT TERMINAL-A	1	BRASS 0.25t	GOLD FLASH ON CONTACT AREA;
C	TIP SPRING	1	PHOSPHOR BRONZE 0.25t	OVER Ni 50u" Min.
B	EARTH	1	COPPER ALLOY 0.3t	Ag 20u"Min Over Ni 20u" Min.
A	BODY	1	HIGH TEMP.THERMOPLASTIC UL 94V-0	SEE TABLE

UNLESS OTHERWISE SPECIFIED TOLERANCES		Singatron Enterprise Co., Ltd. 信音企業股份有限公司	
DECIMALS:	ANGLES:	TITLE	3.5φ PHONE JACK
X :±0.5	X :±2'	DWN	JIE-XIAO PART NO. 2SJ-C351-0□□H
X.X :±0.3	X.X :±1'	CHKD	BRUCE SCALE:4:1 UNIT: MM
X.XX :±0.2		APVD	LUSSEN SIZE: A3 SHEET:1 OF 1 REV: A
<b>CUSTOMER COPY</b>			