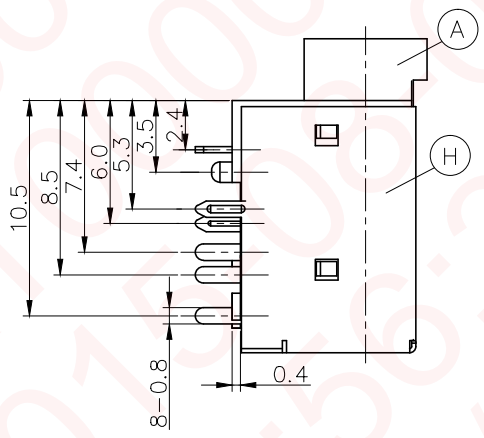
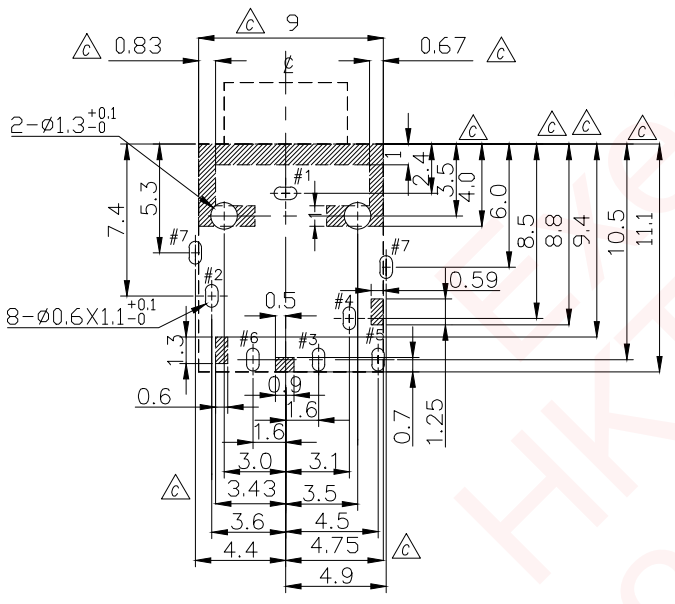
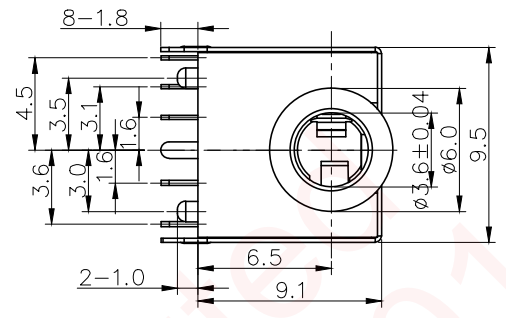
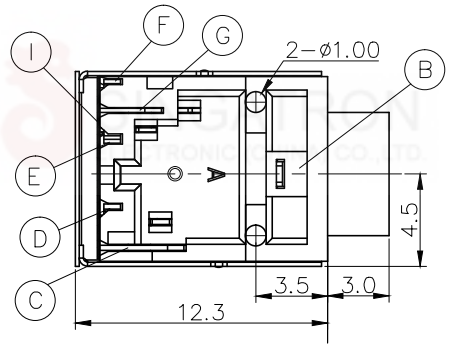
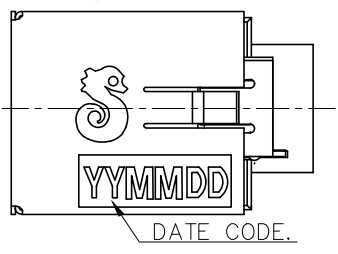
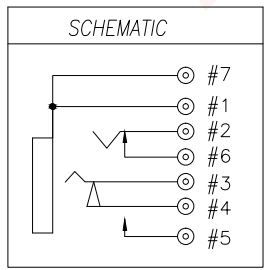
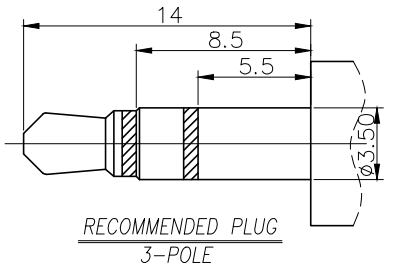


| REV. | ECN NO OR DESCRIPTION | REVISED | DATE |
|------|-----------------------|---------|------------|
| A | PDR :T091016-4A | BRUCE | 2009.12.28 |
| B | ECN NO.:S110306 | Sean | 2011.07.11 |
| C | ECN NO.:S150717-C | JIE-FU | 2015.07.31 |



RECOMMENDED P.C.B. LAYOUT
TOP VIEW (TOL.±0.05)



- SPECIFICATIONS:
- INSULATION RESISTANCE BETWEEN ANY ADJACENT OPEN CIRCUIT TERMINAL SHELL NOT BE LESS THAN 100MΩ MEASURED BY 500 VDC MEGGER.
 - CONTACT RESISTANCE: 30mΩ MAX. (200mΩ MAX: METAL TO EARTH TO SHIELDING)
 - INSULATION VOLTAGE WITHSTAND: 500V AC FOR ONE MINUTE.
 - UNLESS OTHERWISE SPECIFIED. TEST IS TO BE MADE AT 5-35°C IN TEMPERATURE AND 45-85% IN HUMIDITY. BUT, IF ANY VAGUE DATA IS OCCURED ON TEST RESULT, ANOTHER TEST SHALL BE MADE AT 20°C±2°C IN TEMP., 60-70% IN HUMIDITY.
 - LIFE TEST: 5,000 CYCLES MIN. (NON-LOAD)
 - INSERTION FORCE: 0.4 - 3KGF.
 - WITHDRAWAL FORCE: 0.3 - 2KGF.
 - AFTER LIFE TEST, CONTACT RESISTANCE: 50mΩ MAX.
 - AFTER HUMIDITY TEST, INSULATION RESISTANCE: 50MΩ MIN.
 - MARKING: MARK "S" ON TOP OF CONNECTOR.
 - PACKAGING : TAPE & REEL.
 - TO CONFORM TO SINGATRON HAZARDOUS SUBSTANCE FREE SPEC.
 - HALOGEN FREE PRODUCT IDENTIFICATION MARK ON PRODUCT:
 - HALOGEN FREE PRODUCT IDENTIFICATION LOGO ON PACKAGING:
 - FOR LEAD-FREE PROCESS.

| | | | | |
|---------------------------------------|-------------------|--|-------------------------------------|--|
| I | MYLAR | 1 | KAPTON | YELLOW |
| H | SHIELDING | 1 | COPPER ALLOY 0.2t | Ni 60u"Min |
| G | TRANSFER TERMINAL | 1 | PHOSPHOR BRONZE 0.2t | 120u" Sn ON SOLDER TAIL GOLD FLASH ON CONTACT AREA ALL OVER 50u" Ni. |
| F | BREAK TERMINAL | 1 | PHOSPHOR BRONZE 0.2t | |
| E | RING SPRING | 1 | PHOSPHOR BRONZE 0.2t | |
| D | SHUNT TERMINAL-A | 1 | BRASS 0.25t | GOLD FLASH ON CONTACT AREA OVER 50u" Ni. |
| C | TIP SPRING | 1 | PHOSPHOR BRONZE 0.25t | Ag20u" Min, OVER 50u" Ni . |
| B | EARTH | 1 | COPPER ALLOY 0.3t | |
| A | BODY | 1 | HIGH TEMP.THERMOPLASTIC UL 94V-0 | BLACK |
| NO | DESCRIPTION | QTY | MATERIAL | PLATING & COLOR |
| UNLESS OTHERWISE SPECIFIED TOLERANCES | | Singatron Enterprise Co., Ltd. 信音企業股份有限公司 | | |
| DECIMALS: x :±0.5 X :±2° | | TITLE 3.5Ø PHONE JACK | | |
| X.X :±0.3 X.X :±1° | | DWN JIE-FU PART NO. 2SJ-E351-A03 | | |
| X.XX :±0.2 | | CHKD CERRY SCALE:4:1 UNIT: mm | | |
| | | APVD LIAO SIZE: A3 SHEET:1 OF 1 REV:C | | |
| CUSTOMER COPY | | | | |