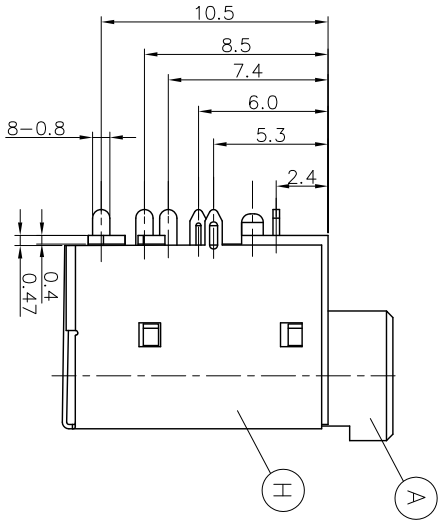
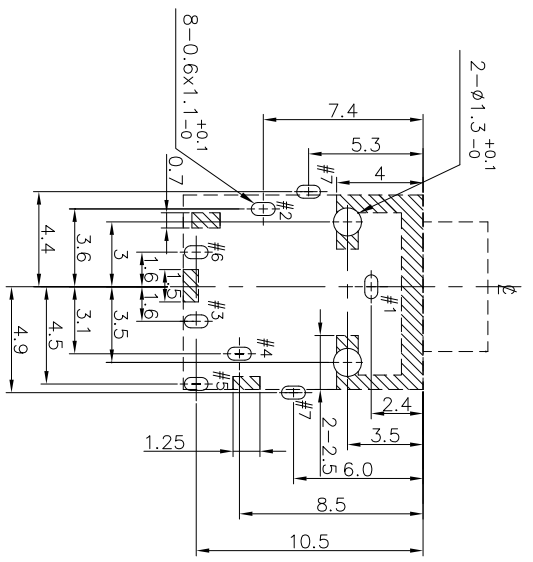
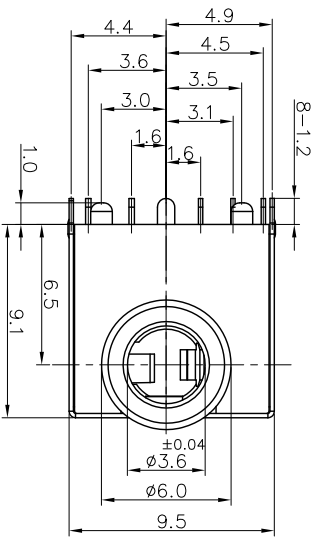
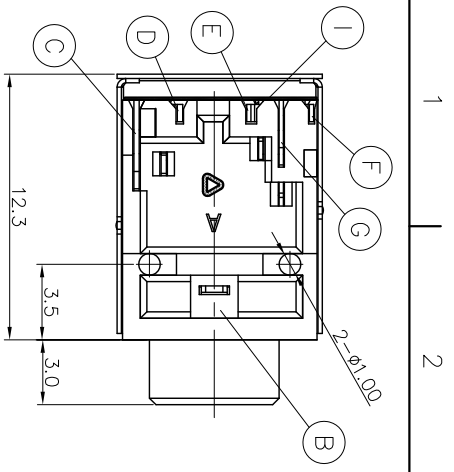
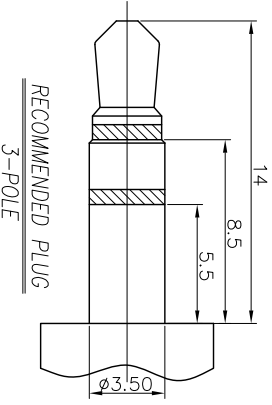


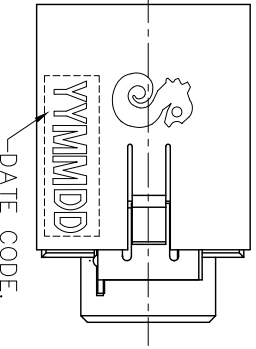
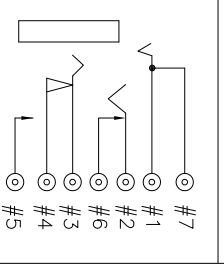
REV.	ECN NO OR DESCRIPTION	REVISED	DATE
A	PDR NO.101104-1A	Spring	2011.01.28
B	ECN NO.:S110218	ANDY	2011.03.24



RECOMMENDED P.C.B. LAYOUT
TOP VIEW (TOL.±0.05)



SCHEMATIC



SPECIFICATIONS:

- ELECTRICAL CHARACTERISTICS:
 - RATING: 12V 1A
 - CONTACT RESISTANCE: 30mΩ MAX.(INITIAL)
 - DIELECTRIC WITHSTANDING VOLTAGE: 500V AC FOR ONE MINUTE.
 - INSULATION RESISTANCE: 100MΩ MIN. MEASURED BY 500 VDC
- MECHANICAL CHARACTERISTICS:
 - INSERTION FORCE : 0.4~3.0 KGf.
 - WITHDRAWAL FORCE : 0.3~2.0KGf.
- LIFE TEST: 5,000 CYCLES MIN.
- OTHER GENERAL SPEC. TO REFER "2SJ-□ 351 SPEC".
- TO CONFORM TO SINGATRON HAZARDOUS SUBSTANCE FREE SPEC.
- GREEN PRODUCT IDENTIFICATION MARK ON JACK:
- GREEN PRODUCT IDENTIFICATION LABEL ON PACKAGING: **G.P. PASS**
- FOR REFLOW SOLDERING LEAD FREE PROCESS.
- PACKAGING: TAPE & REEL

I	MYLAR	1	KAPTON	YELLOW
H	SHIELDING	1	COPPER ALLOY 0.2t	NI 60u" MIN
G	TRANSFER TERMINAL	1	PHOSPHOR BRONZE 0.2t	Sn 120u" ON SOLDER TAIL GOLD FLASH ON CONTACT AREA ALL OVER NI 50u"
F	BREAK TERMINAL	1	PHOSPHOR BRONZE 0.2t	
E	RING SPRING	1	PHOSPHOR BRONZE 0.2t	
D	SHUNT TERMINAL-A	1	BRASS 0.25t	GOLD FLASH ON CONTACT AREA OVER NI 50u"
C	TIP SPRING	1	PHOSPHOR BRONZE 0.25t	Ag 20u" MIN OVER NI 50u"
B	EARTH	1	COPPER ALLOY 0.3t	
A	BODY	1	HIGH TEMP THERMOPLASTIC UL 94V-0	BLACK
NO	DESCRIPTION	QTY	MATERIAL	PLATING & COLOR
UNLESS OTHERWISE SPECIFIED TOLERANCES				
Singatron Enterprise Co., Ltd. 信音企業股份有限公司				
DECIMALS: ANGLES: X :±0.5 X :±2° X.X X :±0.3 X.X :±1' X.XX :±0.2 X.XX :±0.2				
TITLE: 3.5ø PHONE JACK DWN: ANDY PART NO. 2SJ-E351-A04H CHKD: LUSSEN SCALE:4:1 UNIT: MM APVD: TONY SIZE: A3 SHEET:10F1 REV:B				
CUSTOMER COPY				