

REV.	ECN NO OR DESCRIPTION	REVISED	DATE
A	PRODUCT RELEASE	AMY	2006.12.20
B	ECN NO:S070424 ; ECNNO :S070425	YUNYA	2007.5.11
C	ECN NO.S070520	RAY	2007.05.17
D	ECN NO.S070606	GINO	2007.07.03

SPECIFICATIONS :

- INSULATION RESISTANCE BETWEEN ANY ADJACENT OPEN CIRCUIT TERMINAL SHELL NOT BE LESS THAN 100MΩ MEASURED BY 500 VDC MEGGER.
- CONTACT RESISTANCE : 30mΩ MAX. (200mΩ MAX:METAL TO EARTH TO SHIELDING)
- INSULATION VOLTAGE WITHSTAND : 500V AC FOR ONE MINUTE.
- UNLESS OTHERWISE SPECIFIED, TEST IS TO BE MADE AT 5-35°C IN TEMPERATURE AND 45-85% IN HUMIDITY. BUT,IF ANY VAGUE DATA IS OCCURED ON TEST RESULT, ANOTHER TEST SHALL BE MADE AT 20°C±2°C IN TEMP., 60-70% IN HUMIDITY.
- LIFE TEST : 5,000 CYCLES MIN. (NON-LOAD)
- INSERTION FORCE : 0.4 - 3Kg.
- WITHDRAWAL FORCE : 0.3 - 2Kg.
- AFTER LIFE TEST, CONTACT RESISTANCE : 50mΩ MAX.
- AFTER HUMIDITY TEST, INSULATION RESISTANCE : 50MΩ MIN.
- MARKING : MARK "S" ON TOP OF CONNECTOR.
- PACKING : TAPE & REEL.
- TO CONFORM TO THE "SE-01-001" & "ROHS DIRECTIVE"
- GREEN PRODUCT IDENTIFICATION MARK IN JACK:
- GREEN PRODUCT IDENTIFICATION LABEL IN PACKING: **G.P. PASS**
- FOR LEAD-FREE PROCESS.

Ⓚ	MYLAR	1	KAPTON	YELLOW
Ⓛ	METAL	1	BRASS	NICKEL PLATING
Ⓜ	SHIELDING	1	COPPER ALLOY 0.2t	NICKEL PLATING
Ⓝ	TRANSFER TERMINAL	1	PHOSPHOR BRONZE 0.2t	SILVER PLATING
Ⓟ	BREAK TERMINAL	1	PHOSPHOR BRONZE 0.2t	SILVER PLATING
Ⓠ	SHUNT TERMINAL-A	1	BRASS 0.25t	SILVER PLATING
Ⓡ	RING SPRING	1	PHOSPHOR BRONZE 0.2t	SILVER PLATING
Ⓢ	TIP SPRING	1	PHOSPHOR BRONZE 0.25t	SILVER PLATING
Ⓣ	EARTH	1	COPPER ALLOY 0.3t	SILVER PLATING
Ⓛ	BODY	1	HIGH TEMP.THERMOPLASTIC UL 94V-0	SEE ORDERING P/N
NO	DESCRIPTION	QTY	MATERIAL	PLATING & COLOR

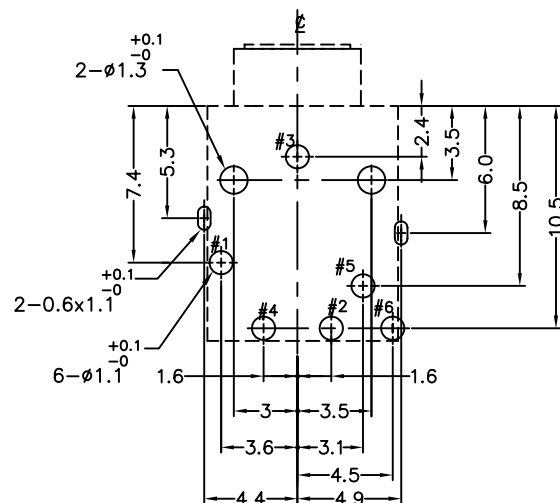
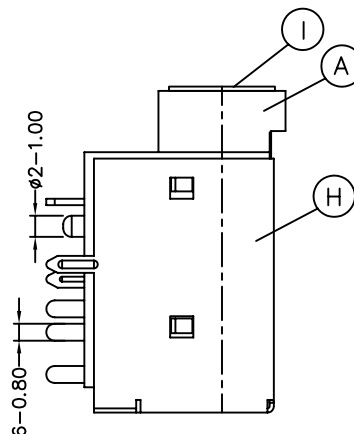
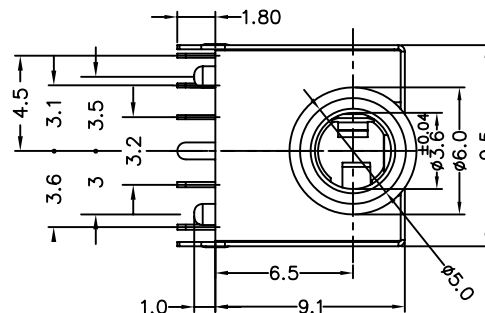
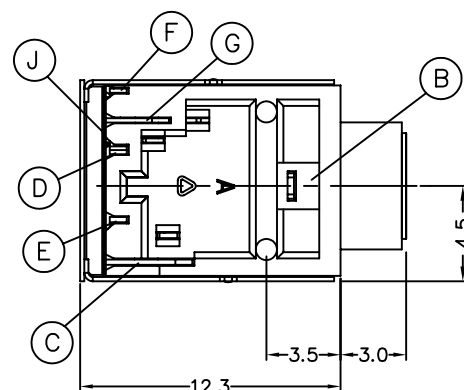
UNLESS OTHERWISE SPECIFIED TOLERANCES

DECIMALS: ANGLES:  
 x : ±0.5 X : ±2°  
 x.x : ±0.3 X.X : ±1°  
 x.xx : ±0.2

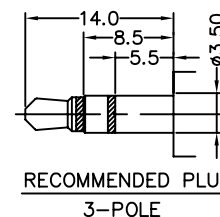
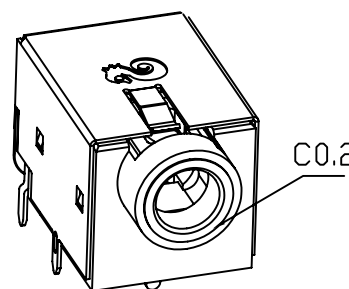
Singatron Enterprise Co., Ltd.  
 信音企業股份有限公司

TITLE	3.5φ PHONE JACK		
DWN	GINO 2007.07.03	<b>PART NO. 2SJ-E351-S0X</b>	
CHKD	LUSSEN 2007.07.28	SCALE: 4/1	UNIT: MM
APVD	SANDY 2007.07.28	SIZE: A3	SHEET: 1 OF 1

**CUSTOMER COPY**



RECOMMENDED P.C.B. LAYOUT  
 TOP VIEW (TOL.±0.05)



2SJ-E351-S0X

- 1: PINK COLOR (PAN.#701C)
- 2: LIME COLOR (PAN.#577C)
- 3: BLUE COLOR (PAN.#284C)

DATE CODE.

