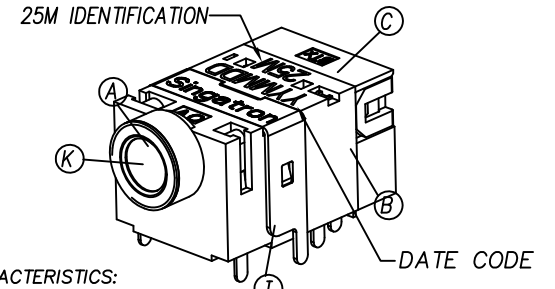


REV.	ECN NO OR DESCRIPTION	REVISED	DATE
A	PDR NO.T141016-1A	Mars	2014.11.26



SPECIFICATIONS:

1. ELECTRICAL CHARACTERISTICS:

- 1-1. RATING: 12V 1A
- 1-2. CONTACT RESISTANCE: 30mΩ MAX(BEFORE).
- 1-3. DIELECTRIC WITHSTANDING VOLTAGE: 500V AC FOR ONE MINUTE
- 1-4. INSULATION RESISTANCE: 100MΩ MIN. MEASURED BY 500 VDC
- 1-5. DATA RATE : 25 Mbps

2. MECHANICAL CHARACTERISTICS:

- 2-1. INSERTION FORCE : 3.5 KGF MAX.
- 2-2. WITHDRAWAL FORCE : 0.3~4.0 KGF

3. LIFE TEST: 5,000 CYCLES MIN.

4. PACKAGING: TAPE & REEL

5. TO CONFORM TO THE SINGATRON HSF SPEC.

6. HALOGEN FREE PRODUCT IDENTIFICATION MARK ON PRODUCT:

7. HALOGEN FREE PRODUCT IDENTIFICATION LOGO ON PACKING:

8. FOR LEAD-FREE PROCESS.

K	METAL	1	BRASS	OVER Ni 50u"Min.
J	IC DRIVE (25Mbps)	1	EPOXY	TIN PLATING (Lead-Free)
I	SHIELDING	1	BRASS	OVER Ni 50u"Min. (可焊)
H	EARTH SPRING-A	1	PHOSPHOR BRONZE	OVER Ni 50u"Min.
G	EARTH SPRING-B	1	PHOSPHOR BRONZE	OVER Ni 50u"Min.
F	EARTH TERMINAL	1	PHOSPHOR BRONZE	OVER Ni 50u"Min.
E	TIP SPRING	1	PHOSPHOR BRONZE	OVER Ni 50u"Min.
D	RING SPRING	1	PHOSPHOR BRONZE	OVER Ni 50u"Min.
C	CASE	1	PA4T+30%GF TITNY UL 94V-0	BLACK
B	COVER	1	PA10T+30%GF R630N UL 94V-0	BLACK
A	BODY	1	PA10T+30%GF R630N UL 94V-0	BLACK
NO	DESCRIPTION	QTY	MATERIAL	PLATING & COLOR

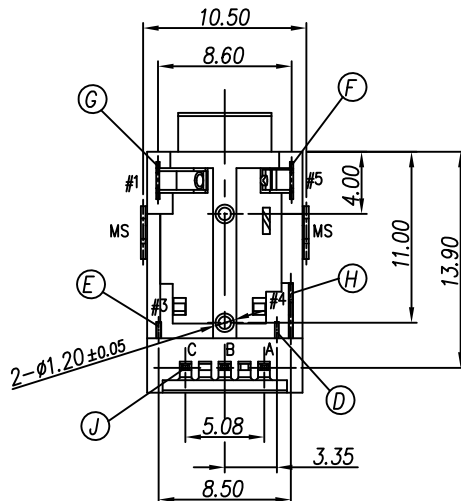
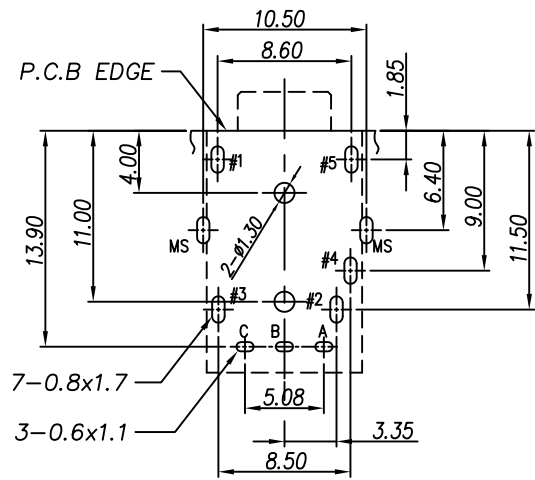
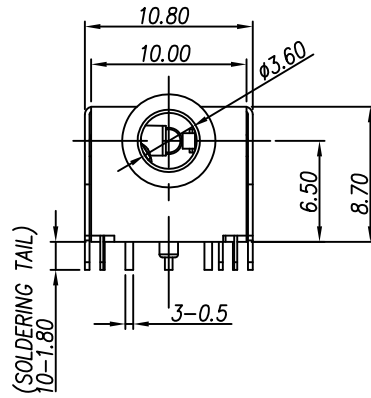
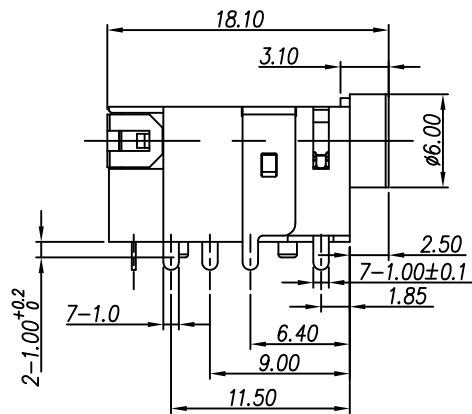
UNLESS OTHERWISE SPECIFIED TOLERANCES

Singatron Enterprise Co., Ltd.
信音企業股份有限公司

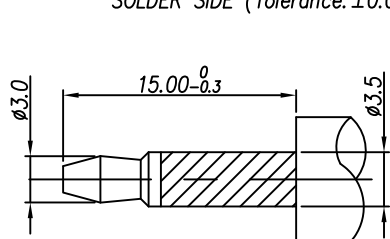
DECIMALS: ANGLES:
X : ±0.5 X : ±2°
X.X : ±0.3 X.X : ±1°
X.XX : ±0.2

TITLE	ø3.5 PHONE JACK (WITH IC)		
DWN	MARS	PART NO. 2SJ-E373-T08F	
CHKD	BRUCE	SCALE 3:1	UNIT: mm
APVD	LUSSEN	SIZE: A3	SHEET: 1 OF 1
REV: A			

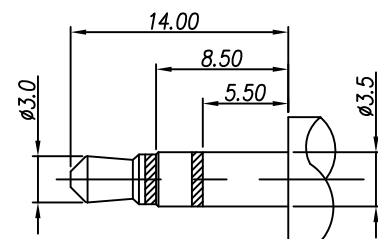
CUSTOMER COPY



RECOMMENDED PCB LAYOUT 1.60T
SOLDER SIDE (Tolerance: ±0.05)



OPTICAL FIBRE PLUG
TOL.±0.05



ø3.5 3POLE STANDARD PLUG
TOL.±0.05

RECOMMEND MATING PLUG

