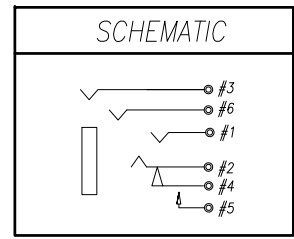


REV.	ECN NO OR DESCRIPTION	REVISED	DATE
A	PDR NO.: T101011-2A	DengFeng	2011.04.29
B	ECN NO.: S111012	SPRING	2011.10.17
C	ECN NO.: S120853	Cerry	2012.09.27

- SPECIFICATIONS:
- ELECTRICAL CHARACTERISTICS:
 - RATING: 12V 1A
 - CONTACT RESISTANCE: 30mΩ MAX.(INITIAL)
 - DIELECTRIC WITHSTANDING VOLTAGE: 500V AC FOR ONE MINUTE
 - INSULATION RESISTANCE: 100MΩ MIN. MEASURED BY 500 VDC
 - MECHANICAL CHARACTERISTICS:
 - INSERTION FORCE : 0.3~3.0 KGF
 - WITHDRAWAL FORCE : 0.3~3.0 KGF
 - LIFE TEST: 5,000 CYCLES MIN.
 - OTHER GENERAL SPEC. TO REFER "2SJ-E960-XXX SERIES SPEC".
 - TO CONFORM TO SINGATRON HAZARDOUS SUBSTANCE FREE SPEC.
 - HALOGEN FREE PRODUCT IDENTIFICATION MARK ON JACK: ©
 - HALOGEN FREE PRODUCT IDENTIFICATION LABEL ON PACKAGING:
 - FOR REFLOW SOLDERING LEAD-FREE PROCESS.

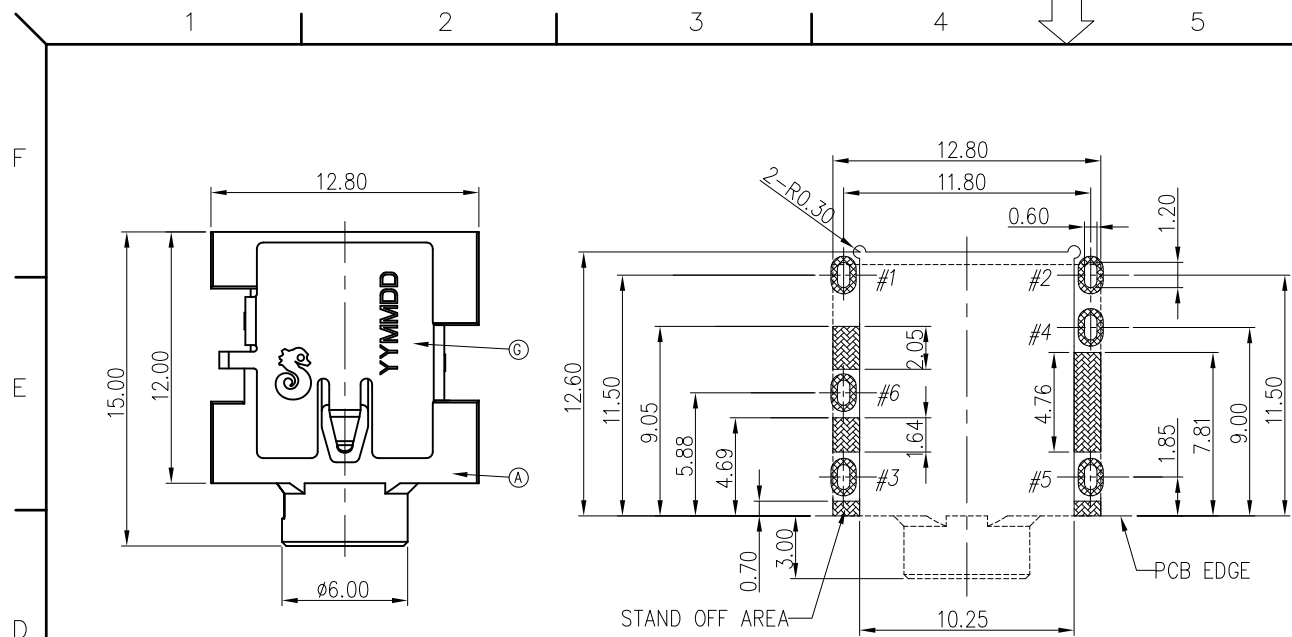


G	SHELL	1	COPPER ALLOY 0.20T	Ni 50u"
F	TRANSFER TERMINAL	1	COPPER ALLOY 0.20T	GOLD FLASH ON CONTACT AREA ; MATTE Sn 120u" ON SOLDER AREA.
E	MAKE TERMINAL	1	COPPER ALLOY 0.20T	GOLD FLASH
D	RING	1	COPPER ALLOY 0.20T	GOLD FLASH ON CONTACT AREA ; MATTE Sn 120u" ON SOLDER AREA.
C	TIP	1	COPPER ALLOY 0.20T	GOLD FLASH ON CONTACT AREA ; Ni 50u" MIN.
B	EARTH	1	COPPER ALLOY 0.20T	GOLD FLASH ON CONTACT AREA ; MATTE Sn 120u" ON SOLDER AREA.
A	BODY	1	HIGH TEMP.THERMOPLASTIC	BLACK
NO	DESCRIPTION	QTY	MATERIAL	PLATING & COLOR

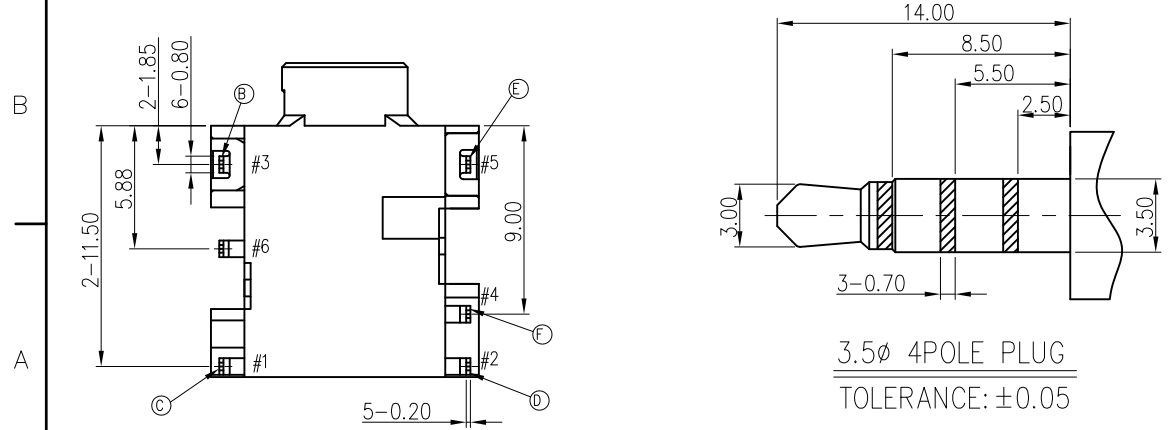
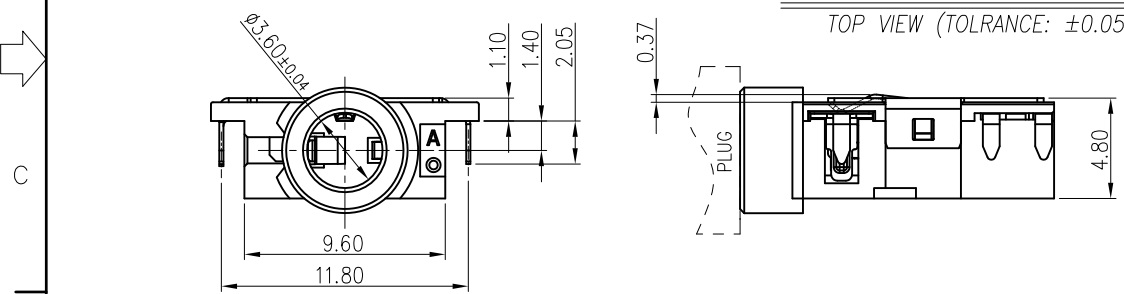
UNLESS OTHERWISE SPECIFIED TOLERANCES

Singatron Enterprise Co., Ltd.
信音企業股份有限公司

DECIMALS:	ANGLES:	TITLE	3.5φ PHONE JACK		
X : ±0.5	X : ±2°	DWN	Cerry	PART NO.2SJ-E960-001F	
X.X : ±0.3	X.X : ±1°	CHKD	Tom	SCALE: 4:1	UNIT: mm
X.XX : ±0.2		APVD	Quan	SIZE: A3	SHEET: 1 OF 1
CUSTOMER COPY					



RECOMMENDED P.C.B. LAYOUT T=1.20
TOP VIEW (TOLRANCE: ±0.05)



3.5φ 4POLE PLUG
TOLERANCE: ±0.05