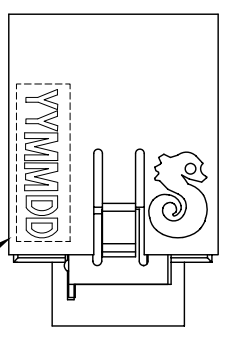
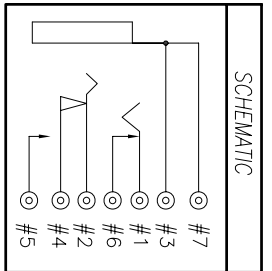
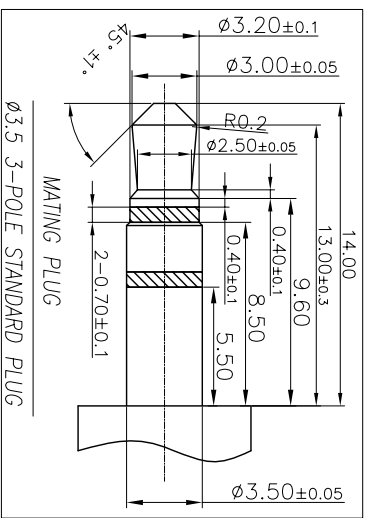
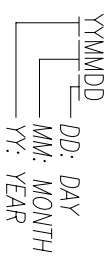


RECOMMENDED P.C.B. LAYOUT
TOP VIEW (TOL.±0.05)



SPECIFICATIONS:

- ELECTRICAL CHARACTERISTICS:
 - RATING: 12V 1A
 - CONTACT RESISTANCE: 30mΩ MAX.
 - DIELECTRIC VOLTAGE WITHSTAND: 500V AC FOR ONE MINUTE
 - INSULATION RESISTANCE: 100MΩ MIN. MEASURED BY 500V DC
- MECHANICAL CHARACTERISTICS:
 - INSERTED FORCE : 3.0 KGF MAX.
 - WITHDRAWAL FORCE : 0.3~2.0 KGF
- LIFE TEST: 5,000 CYCLES.
- OTHER GENERAL SPEC. TO REFER "□351 SERIES SPEC".
- TO CONFORM TO SINGATRON HAZARDOUS SUBSTANCE FREE SPEC.
- HALOGEN FREE PRODUCT IDENTIFICATION MARK:
- HALOGEN FREE PRODUCT IDENTIFICATION LABEL ON PACKAGING:
- FOR LEAD-FREE PROCESS.
- PRINTED DATE CODE "YYMMDD" ON TOP OF CONNECTOR.



H	SHIELDING	1	PHOSPHOR BRONZE 0.2T	NI: 60u" MIN.
G	SHUNT TERMINAL -A	1	BRASS 0.25T	GOLD FLASH ON CONTACT AREA OVER NI 50u" MIN.
F	TRANSFER TERMINAL	1	PHOSPHOR BRONZE 0.2T	GOLD FLASH ON CONTACT AREA
E	BREAK TERMINAL	1	PHOSPHOR BRONZE 0.2T	Sn 120u" ON SOLDER AREA
D	RING SPRING	1	PHOSPHOR BRONZE 0.2T	OVER NI 50u" MIN.
C	TIP SPRING	1	PHOSPHOR BRONZE 0.25T	
B	EARTH	1	PHOSPHOR BRONZE 0.3T	GOLD FLASH OVER NI 50u" MIN.
A	BODY	1	HIGH TEMP THERMOPLASTIC UL 94V-0	BLACK
NO	DESCRIPTION	QTY	MATERIAL	PLATING & COLOR
UNLESS OTHERWISE SPECIFIED TOLERANCES				
Singatron Enterprise Co., Ltd. 信晉企業股份有限公司				
DECIMALS: ANGLES: X :±0.5 X :±2° X.X :±0.3 X.X :±1' X.XX :±0.2				
TITLE: 3.50 PHONE JACK				
DWN	Swina	PART NO. 2SJ-H351-005F		
CHKD	Bruce	SCALE: 4:1	UNIT: MM	
APVD	Lussen	SIZE: A3	SHEET: 1 OF 1	REV: A
CUSTOMER COPY				

REV.	ECN NO OR DESCRIPTION	REVISED	DATE
A	PDR NO. JT110803-6A	Swina	2012.05.10