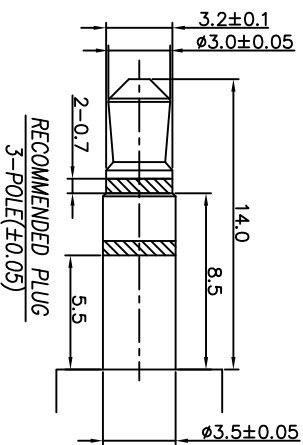
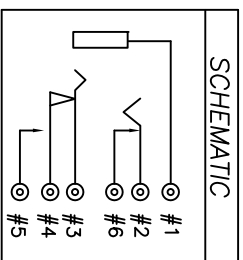
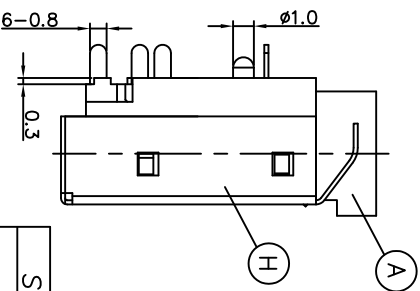
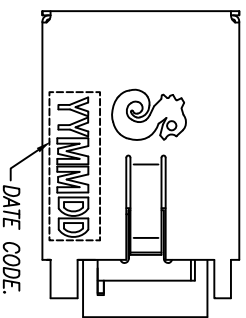


RECOMMENDED PCB LAYOUT  
TOP VIEW(TOL.±0.05)



SPECIFICATIONS:

- ELECTRICAL CHARACTERISTICS:
  - CONTACT RESISTANCE: 30mΩ MAX.(INITIAL)
  - DIELECTRIC WITHSTANDING VOLTAGE: 500V AC FOR ONE MINUTE
  - INSULATION RESISTANCE: 100MΩ MIN. MEASURED BY 500 VDC
- MECHANICAL CHARACTERISTICS:
  - INSERTION FORCE : 0.3~3.0 KGF
  - WITHDRAWAL FORCE : 0.3~3.0 KGF
- LIFE TEST: 5,000 CYCLES MIN.
- OTHER GENERAL SPEC. TO REFER "2SJ-J351 SERIES SPEC".
- TO CONFORM TO SINGATRON HAZARDOUS SUBSTANCE FREE SPEC.
- HALOGEN FREE PRODUCT IDENTIFICATION MARK ON PRODUCT:
- HALOGEN FREE PRODUCT IDENTIFICATION LOGO ON THE PACKAGING:
- FOR LEAD-FREE PROCESS.

REV.	ECN NO OR DESCRIPTION	REVISED	DATE
A	PDR NO.:S130118-6A	MARS	2013.08.26

NO	DESCRIPTION	QTY	MATERIAL	PLATING & COLOR
H	SHIELDING	1	PHOSPHOR BRONZE 0.2T	Ni 60µm Min
G	TRANSFER TERMINAL	1	PHOSPHOR BRONZE 0.2T	120µm 50 ON SOLDER GOLD FLASH ON CONTACT AREA ALL OVER IN 50µm .
F	BREAK TERMINAL	1	PHOSPHOR BRONZE 0.2T	GOLD FLASH ON CONTACT AREA ALL OVER IN 50µm.
E	SHUNT TERMINAL-A	1	BRASS 0.25t	GOLD FLASH ON CONTACT AREA 120µm 50 ON SOLDER ALL OVER IN 50µm.
D	RING SPRING	1	PHOSPHOR BRONZE 0.2T	GOLD FLASH ON CONTACT AREA ALL OVER IN 50µm.
C	TIP SPRING	1	PHOSPHOR BRONZE 0.25T	Ag 20µm Min OVER IN 40~80µm
B	EARTH	1	PHOSPHOR BRONZE 0.3T	
A	BODY	1	PA-10T+30% GF UL 94V-0	BLACK

DECIMALS:	ANGLES:
X :±0.5	X :±2°
X.X :±0.3	X.X :±1°
X.XX :±0.2	

TITLE	Singatron Enterprise Co., Ltd. 信益企業股份有限公司		
DWN	MARS	PART NO.2SJ-J351-003P	
CHKD	BRUCE	SCALE:4:1	UNIT: mm
APVD	BOYE	SIZE: A3	SHEET: 1 OF 1 REV:A

CUSTOMER COPY