

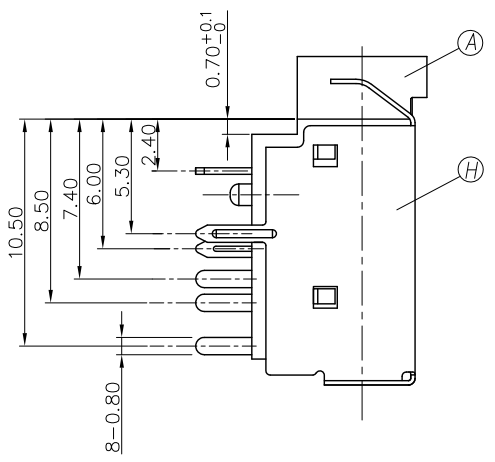
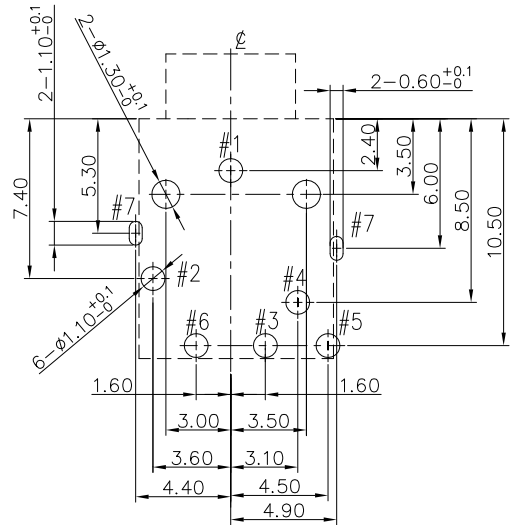
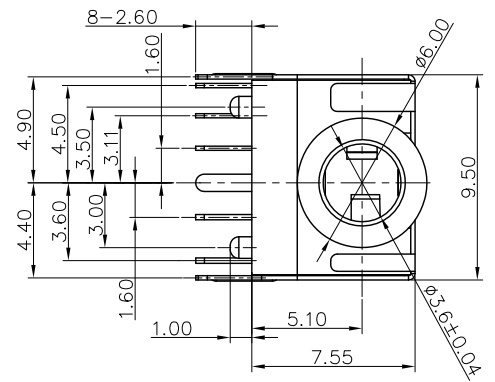
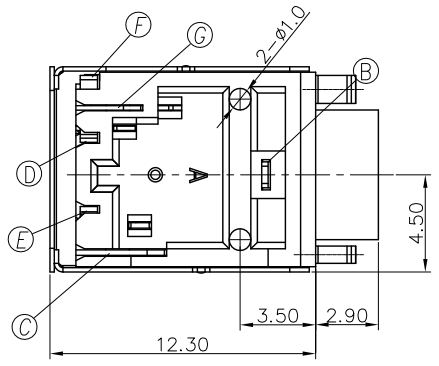


REV.	ECN NO OR DESCRIPTION	REVISED	DATE
A	PDR:T100512-2A&3A	Bruce	2012.01.28
B	ECN:S120110	Bruce	2012.04.24
C	ECN:S131152	ANDY	2014.01.20
D	ECN NO:S130956	YUREN	2014.02.25

SPECIFICATIONS:

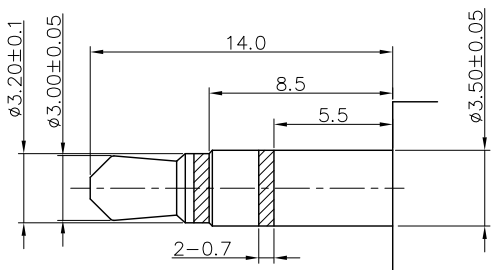
- ELECTRICAL CHARACTERISTICS:**
 - 1-1. RATING: 12V 1A
 - 1-2. CONTACT RESISTANCE: 30mΩMAX.(INITIAL)
 - 1-3. DIELECTRIC WITHSTANDING VOLTAGE: 500V AC FOR ONE MINUTE
 - 1-4. INSULATION RESISTANCE: 100MΩMIN. MEASURED BY 500 VDC
- MECHANICAL CHARACTERISTICS:**
 - 2-1. INSERTION FORCE :0.3~3KGF
 - 2-2. WITHDRAWAL FORCE : 0.3~3.0KGF
- LIFE TEST: 5,000 CYCLES MIN.**
- OTHER GENERAL SPEC. TO REFER "2.5 3.5 PHONE JACK-SPEC".**
- TO CONFORM TO SINGATRON HAZARDOUS SUBSTANCE FREE SPEC.**
- HALOGEN FREE PRODUCT IDENTIFICATION MARK ON PRODUCT:** 
- HALOGEN FREE PRODUCT IDENTIFICATION LABEL ON PACKAGING:** 
- FOR REFLOW SOLDERING LEAD-FREE PROCESS.**
- PACKAGING:TAPE&REEL**



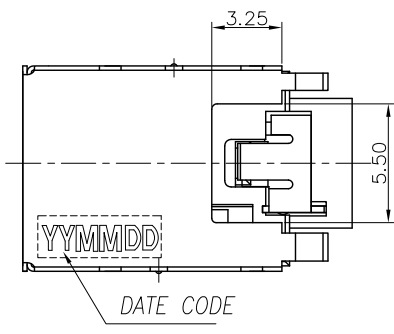
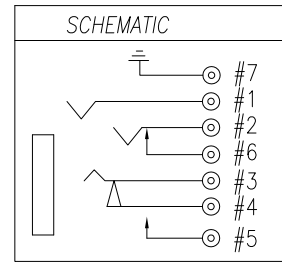
RECOMMENDED P.C.B. LAYOUT
TOP VIEW (TOL.±0.05)

TABLE

P/N	COLOR
2SJ-K351-002F	LIME(PAN# 577C)
2SJ-K351-001F	BLACK



RECOMMENDED PLUG
3-POLE



NO	DESCRIPTION	QTY	MATERIAL	PLATING & COLOR
H	SHIELDING	1	C5191-H,T:0.2	Ni 60u"
G	TRANSFER TERMINAL	1	C5210-SH,0.2T	GOLD FLASH ON CONTACT AREA Sn 120u" ON SOLDER TAIL ALL OVER 50u" Ni
F	BREAK TERMINAL	1	C5191-H,0.2T	GOLD FLASH ON CONTACT AREA 50u" Ni Min.
E	SHUNT TERMINAL-A	1	C2680-H,0.25T	GOLD FLASH ON CONTACT AREA Sn 120u" ON SOLDER TAIL ALL OVER 50u" Ni
D	RING SPRING	1	C5210-EH,0.2T	Au 30u" ON CONTACT AREA Sn 120u" ON SOLDER TAIL ALL OVER 50u" Ni
C	TIP SPRING	1	C5210-EH,0.25T	Au 30u" ON CONTACT AREA GOLD FLASH ON SOLDER TAIL ALL OVER 50u" Ni
B	EARTH	1	C5210-EH,0.3T	SEE TABLE
A	BODY	1	PA10T(R630-NH) UL 94V-0	SEE TABLE

UNLESS OTHERWISE SPECIFIED TOLERANCES

Singatron Enterprise Co., Ltd.
信音企業股份有限公司

DECIMALS: X :±0.5, X.X :±0.3, X.XX :±0.2
ANGLES: X :±2°, X.X :±1°

TITLE	3.5ø PHONE JACK		
DWN	YUREN	PART NO. 2SJ-K351-00XF	
CHKD	CERRY	SCALE:4:1	UNIT: MM
APVD	MAX	SIZE: A3	SHEET:1 OF 1 REV:D

CUSTOMER COPY