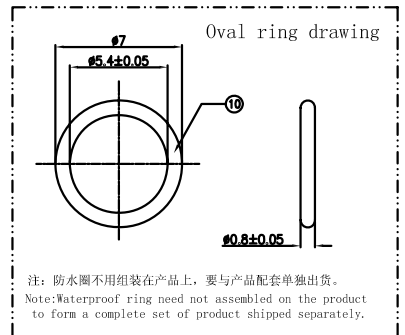
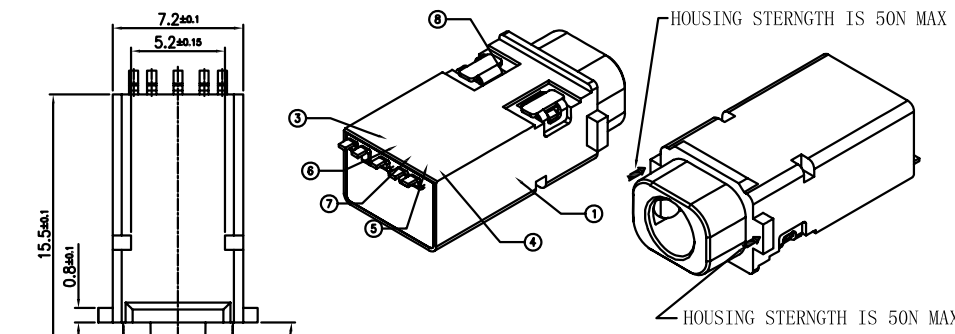
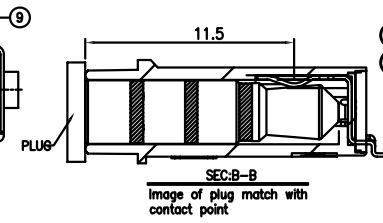
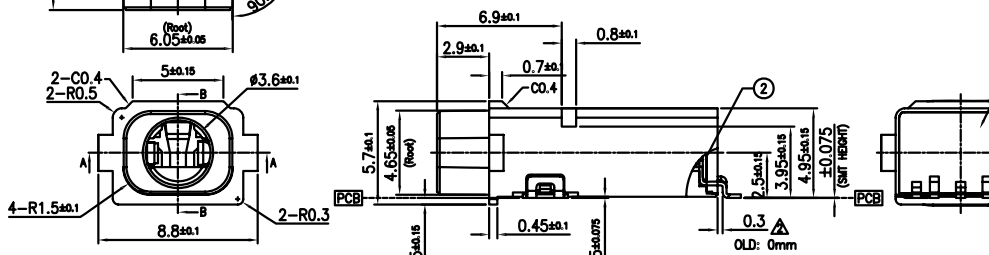


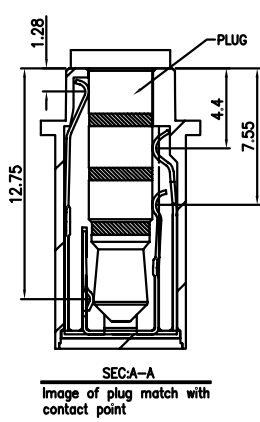
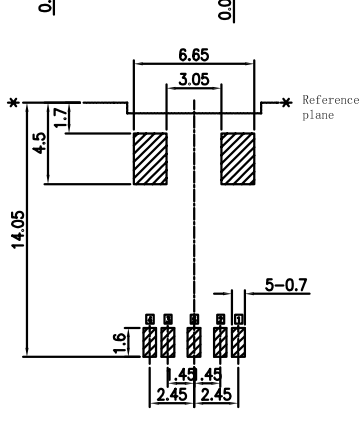
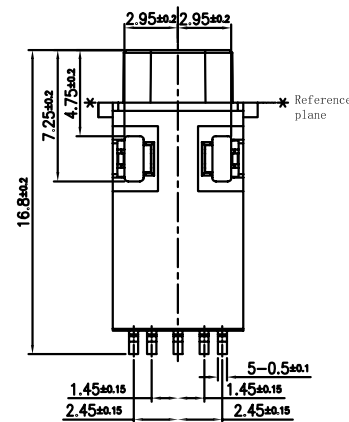
* REVISIONS				
LTR	DESCRIPTION	DATE	REVISED	APPROVED
A2	针对图面相关规格更正	2016. 10. 13	H. RP	GAOWEI



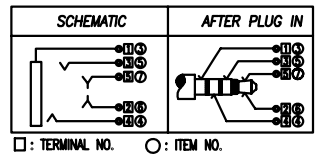
SPECIFICATIONS:
 1. INSULATION RESISTANCE: A VOLTAGE OF 500V D.C. SHALL BE APPLIED TO THE TERMINALS, AFTER WHICH MEASUREMENT SHALL BE MADE. A GAUGE FOR THE MEASUREMENT SHALL BE USED THE INSULATED GAUGE.
 2. CONTACT RESISTANCE: 30mΩ OR LESS
 3. VOLTAGE PROOF: 500V AC FOR ONE MINUTE
 4. DURABILITY: 5,000 INSERTION/REMOVAL CYCLES (MINIMUM)
 5. INSERTION FORCE: 0.4KGF~2.0KGF
 6. WITHDRAWAL FORCE: 0.4KGF~2.0KGF
 7. WATER PROOFNESS: THIS PRODUCT IS CONFORM TO JIS STANDARD IPX7 BY WATERPROOF JACK
 8. USING PLUG: #3.5MM, 4-POLE STEREO EARPHONE (LCH/RCH/GND/MIC)
 PROVIDED THAT THEY CONFORM TO JIS C6560
 9. HOUSING STERNGTH IS 50N MAX



Note: FOR REFLOW SOLDERING LEAD-FREE PROCESS & The O-Ring can not go through the IR process with waterproof connector together.
 10. Housings and O-rings are packed separately.
 11. The connector can go through the IR process once only.



T:1.6 Dimensions of PC board holes
 Tolerance : +0.1(Printed-Top view)



LEADFREE

10	OVAL RING	1				
9	BOND	1				
8	TERMINAL	2	C2680	t=0.20	MB:Ni	Gold Flash
7	TIP SPRING-2	5	1	Ti-Cu	t=0.20	MB:Ni Gold Flash
6	TIP SPRING-1	4	1	Ti-Cu	t=0.20	MB:Ni Gold Flash
5	RING SPRING-2	3	1	Ti-Cu	t=0.20	MB:Ni Gold Flash
4	RING SPRING-1	2	1	Ti-Cu	t=0.20	MB:Ni Gold Flash
3	EARTH SPRING	1	1	Ti-Cu	t=0.20	MB:Ni Gold Flash
2	COVER	1	PA9T		UL94V-0	BLACK
1	HOUSING	1	PA9T		UL94V-0	BLACK
LTR	PART NAME	QTY	MATERIAL	REMARK		

UNLESS OTHERWISE SPECIFIED, TOLERANCE ON DECIMAL: ±0.3

Singatron Enterprise Co., Ltd.

TITLE	MINIATURE JACK		
DWN	H.RP 2014.09.05	PART NO. 2SJ-KP035-01A	
CHKD	GAOWEI 2014.09.05	SCALE 1:1	UNIT: mm
APVD	GAOWEI 2014.09.05	SIZE: A3	SHEET: 1 OF 1 REV: A2

CUSTOMER COPY