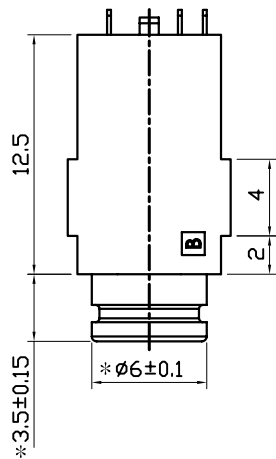
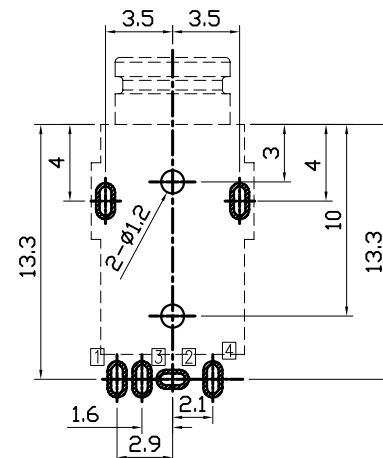
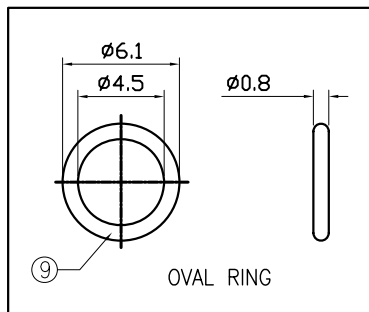


*: INDICATES THE KEY DIMENSIONS [*為重點尺寸]

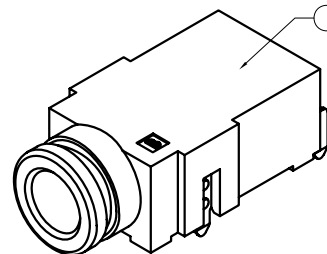
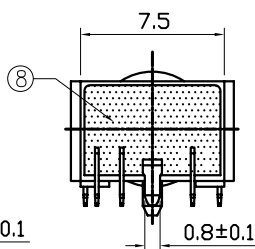
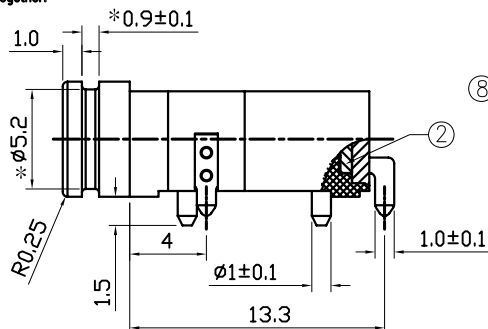
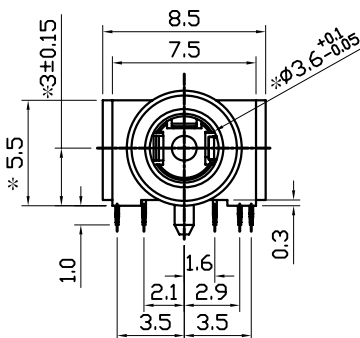
* REVISIONS			
LTR	DESCRIPTION	DATE	APPROVED



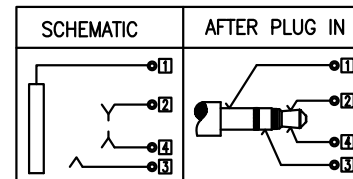
- SPECIFICATIONS:**
- 1.RATING: 12V, 1A .
 - 2.CONTACT RESISTANCE:30mΩ OR LESSFOR INITIAL
 - 3.VOLTAGE PROOF:500V AC FOR ONE MINUTE
 - 4.DURABILITY: 5,000 INSERTION/EXTRACTION CYCLES
 - 5.INSETION FORCE:3.0KG MAX
 - 6.WITHDRAWAL FORCE:0.3KG MIN
 - 7.WATER PROOFNESS: THIS PRODUCT IS BASED ON IPX7(1m,30min)
 - 8.USING PLUG: Ø3.5MM, 3-POLE STEREO
 9. OVAL RING
 - 9-1. Hardness of silicone rubber:70°
 - 9-2. Horizontal flash 0.10mm max;Longitudinal flash 0.10mm max
 - 10.HOUSING WITH O-RING'S SEAL AREA BURRS IS 0.05mm MAX.
 - 11.FOR REFLOW SOLDERING LEAD-FREE PROCESS.
 - 12.PACKAGING: TAPE & REEL.
 13. Housings and O-rings are packed separately.
 14. The connector can go through the IR process once only.



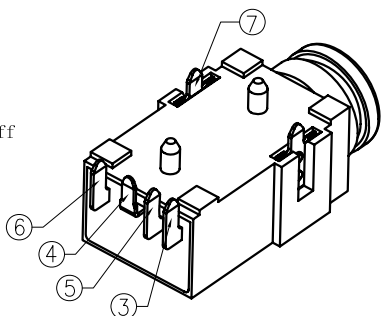
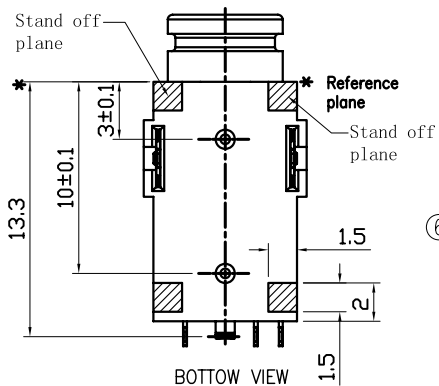
Note:FOR REFLOW SOLDERING LEAD-FREE PROCESS & The O-Ring can not go through the IR process with waterproof connector together.



Recommend of PC Board Holes
Tolerance : ±0.05(Printed-Top view)



□ : TERMINAL NO.



9	OVAL RING	1	SILICONE	GREEN
8	BOND	1	EPOXY	
7	TERMINAL	2	C2680R-H t=0.20	Matte Sn 80u" Min; Ni 40u" Min underplate.
6	TIP SPRING-2	4	1 C5210R-EH t=0.20	
5	RING SPRING	3	1 C5210R-EH t=0.20	
4	TIP SPRING-1	2	1 C5210R-EH t=0.20	
3	EARTH SPRING	1	1 C5210R-EH t=0.20	
2	COVER	1	PA9T	UL94V-0 BLACK
1	HOUSING	1	PA9T	UL94V-0 BLACK
LTR	PART NAME	QTY	MATERIAL	REMARK

-TOLERANCES-
UNLESS OTHERWISE SPECIFIED

公差	
X.X ±0.30	X.X" ±3°
X.XX ±0.25	X.XX" ±1°
X.XXX ±0.20	

Singatron Enterprise Co., Ltd.

TITLE	Ø3.5mm WATERPROOF JACK		
DWN	H.RP 2016.08.22	PART NO.2SJ-KP035-04A	
CHKD	SAOWE2016.08.22	SCALE 1:1	UNIT: mm
APVD	SAOWE2016.08.22	SIZE: A3	SHEET:1 OF 1 REV:001

CUSTOMER COPY