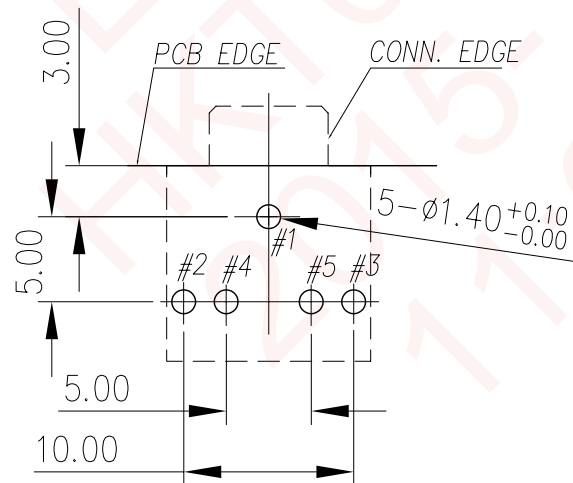
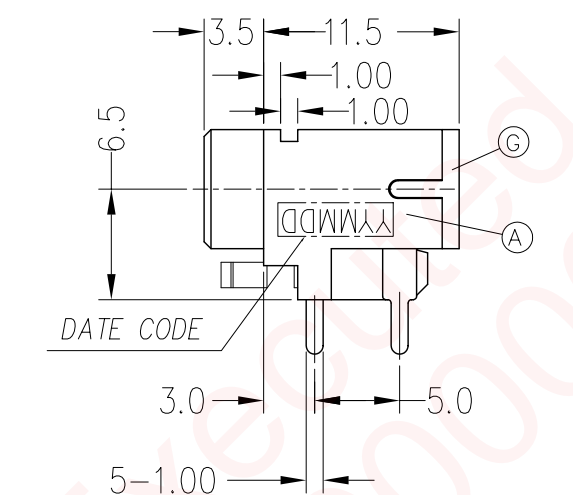
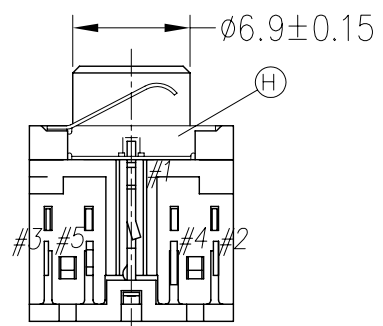
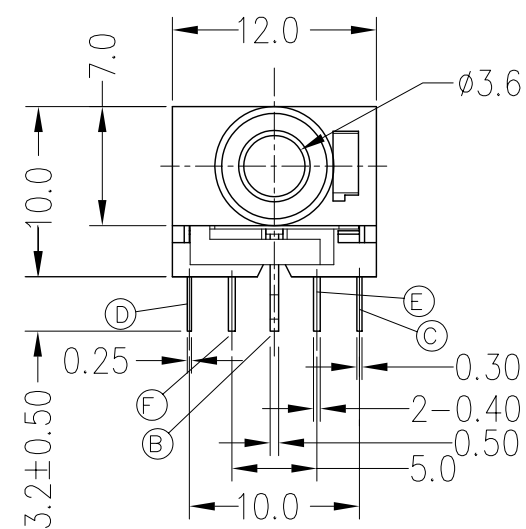
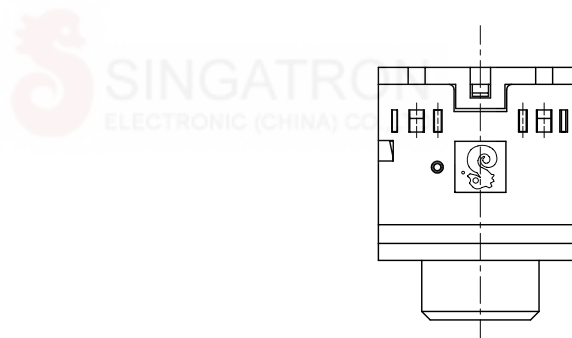


|      |                       |         |            |
|------|-----------------------|---------|------------|
| REV. | ECN NO OR DESCRIPTION | REVISED | DATE       |
| A    | PRODUCT RELEASE       | REX     | 2015.11.12 |



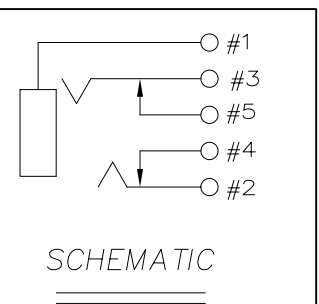
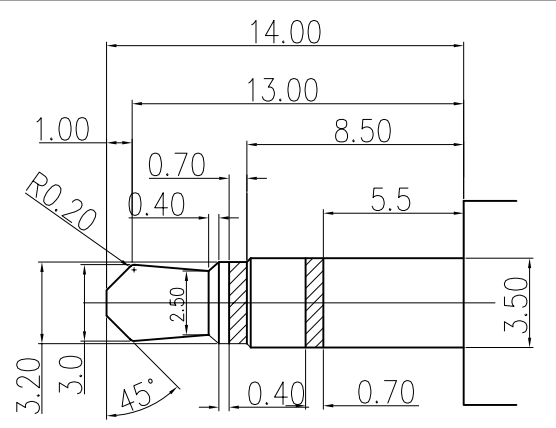
RECOMMENDED PCB LAYOUT  
TOP VIEW (TOL: ±0.05)

SPECIFICATIONS:

- ELECTRICAL CHARACTERISTICS:
  - RATING: 12V/1A
  - CONTACT RESISTANCE: 30mΩ MAX.
  - DIELECTRIC WITHSTANDING VOLTAGE: 250V AC FOR ONE MINUTE
  - INSULATION RESISTANCE: 100MΩ MIN. MEASURED BY 500 VDC
- MECHANICAL CHARACTERISTICS:
  - INSERTION FORCE : 0.3~2.5 KGF
  - WITHDRAWAL FORCE : 0.3~2.5 KGF
- LIFE TEST: 5,000 CYCLES.
- RESISTANCE TO SOLDERING HEAT:
 

LEADS TO BE IMMERSED IN MOLTEN SOLDER 260°C FOR 10 SECONDS @1.57mm FROM BODY WITH NO DEGRADATION OF ELECTRICAL OR MECHANICAL SPECIFICATION.
- OTHER GENERAL SPEC. TO REFER "2SJ-P520 SERIES SPEC".
- SOLDER HEAT RESISTANCE: WAVE SOLDERING 260°C 10 SECS.
- TO CONFORM TO THE SINGATRON HARDUABRON SUBSTANCE FREE SPEC.
- HALOGEN FREE PRODUCT IDENTIFICATION MARK: Ⓢ
- HALOGEN FREE PRODUCT IDENTIFICATION LABEL ON PACKAGING:
- FOR WAVE SOLDERING LEAD-FREE PROCESS.

MATING PLUG(TOLERANCE: ±0.05)  
Ø3.5 3-POLE STANDARD PLUG



| H  | GROUNDING SPRING | 1   | STAINLESS STEEL 0.2t   | CLEAN           |
|----|------------------|-----|------------------------|-----------------|
| G  | COVER            | 1   | THERMOPLASTIC UL 94V-0 | BLACK COLOR     |
| F  | SHUNT TERMINAL B | 1   | COPPER ALLOY 0.4t      | SILVER PLATING  |
| E  | SHUNT TERMINAL A | 1   | COPPER ALLOY 0.4t      | SILVER PLATING  |
| D  | RING SPRING      | 1   | COPPER ALLOY 0.25t     | SILVER PLATING  |
| C  | TIP SPRING       | 1   | COPPER ALLOY 0.3t      | SILVER PLATING  |
| B  | EARTH TERMINAL   | 1   | COPPER ALLOY 0.5t      | SILVER PLATING  |
| A  | BODY             | 1   | THERMOPLASTIC UL 94V-0 | BLACK COLOR     |
| NO | DESCRIPTION      | QTY | MATERIAL               | PLATING & COLOR |

UNLESS OTHERWISE SPECIFIED TOLERANCES

DECIMALS: ANGLES:  
X : ±0.5 X : ±2°  
X.X : ±0.3 X.X : ±1°  
X.XX : ±0.2

|  |   |
|--|---|
| Singatron Enterprise Co., Ltd.<br>信音企業股份有限公司 |   |
| TITLE  | Ø3.5 PHONE JACK                                 |
| DWN  | Xinrong-Tan 15/11/18 PART NO. 2SJ-P520-A18F     |
| CHKD   | Zhijun-Wei 15/11/18 SCALE 5:1 UNIT: mm          |
| APVD   | Zjz-Zhou 15/11/18 SIZE: A3 SHEET: 1 OF 1 REV: A |

CUSTOMER COPY