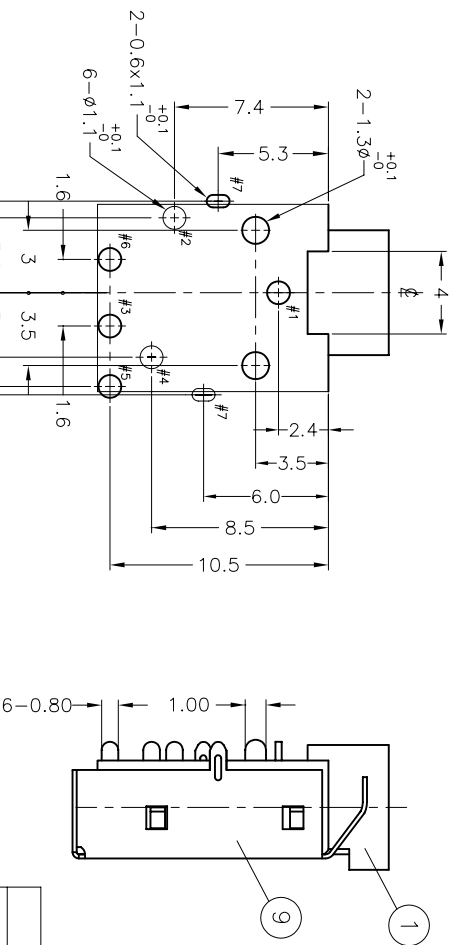
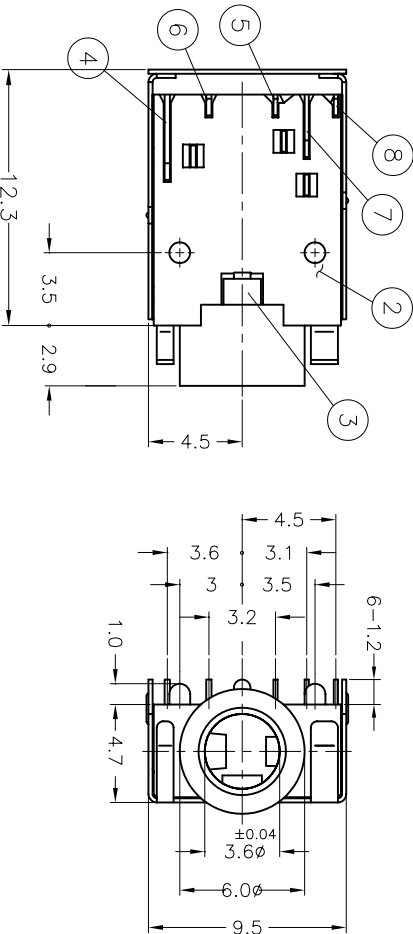
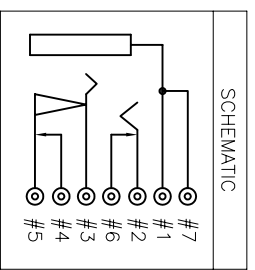
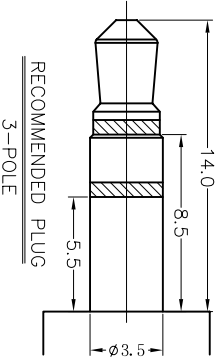
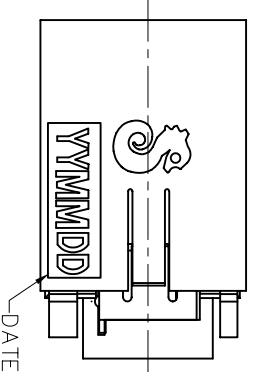


REV.	ECN NO. OR DESCRIPTION	REVISED	DATE
A	PDR NO.: 20070309-4	RAY-YANG	2007.4.3
B	ECN NO.: S080211	Sidney	2008.03.10



RECOMMENDED PCB LAYOUT(TOP VIEW)
PCB THICKNESS:1.20mm
(TOLERANCE: ±0.05)



- SPECIFICATIONS:
- INSULATION RESISTANCE BETWEEN ANY ADJACENT OPEN CIRCUIT TERMINAL SHELL NOT BE LESS THAN 100M Ω MEASURED BY 500 VDC MEGGER.
 - CONTACT RESISTANCE: 30m Ω MAX.
 - DIELECTRIC VOLTAGE WITHSTAND: 500V AC FOR ONE MINUTE.
 - UNLESS OTHERWISE SPECIFIED. TEST IS TO BE MADE AT 5-35°C IN TEMPERATURE AND 45-85% IN HUMIDITY. BUT, IF ANY VAGUE DATA IS OCCURED ON TEST RESULT, ANOTHER TEST SHALL BE MADE AT 20°C±2°C IN TEMP., 60-70% IN HUMIDITY.
 - LIFE TEST: 5,000 CYCLES MIN. (NON-LOAD)
 - INSERTION FORCE: 0.4 - 3Kg.
 - WITHDRAWAL FORCE: 0.3 - 2Kg.
 - AFTER LIFE TEST, CONTACT RESISTANCE: 50m Ω MAX.
 - AFTER HUMIDITY TEST, INSULATION RESISTANCE: 50M Ω MIN.
 - MARKING: MARK "G.P." ON TOP OF CONNECTOR.
 - PACKING: TAPE & REEL.
 - TO CONFORM TO THE SINGATRON HSF SPEC.
 - GREEN PRODUCT IDENTIFICATION MARK ON JACK:
 - GREEN PRODUCT IDENTIFICATION LABEL ON PACKAGING:
 - FOR LEAD-FREE PROCESS.

G.P. PASS

9	SHIELDING	1	PHOSPHOR BRONZE 0.2T	Ni 60u" Min
8	TRANSFER TERMINAL	1	PHOSPHOR BRONZE 0.2T	ALL OVER 50u" NICKEL PLATING 120u" Sn PLATING ON SOLDER 10u" Au PLATING ON CONTACT AREA
7	BREAK TERMINAL	1	BRASS 0.2T	ALL OVER 30u" NICKEL PLATING 120u" Sn PLATING ON SOLDER 10u" Au PLATING ON CONTACT AREA
6	SHUNT TERMINAL-A	1	BRASS 0.25T	Ni底 60u" Min, Ag 20u" Min
5	RING SPRING	1	PHOSPHOR BRONZE 0.2T	Ni底 60u" Min, Ag 20u" Min
4	TIP SPRING	1	PHOSPHOR BRONZE 0.25T	Ni底 60u" Min, Ag 20u" Min
3	EARTH	1	COPPER ALLOY 0.3T	Ni底 60u" Min, Ag 20u" Min
2	SEPARATOR	1	HIGH TEMP.THERMOPLASTIC UL 94V-0	BLACK COLOR
1	BODY	1	HIGH TEMP.THERMOPLASTIC UL 94V-0	PINK COLOR(701C)

NO	DESCRIPTION	QTY	MATERIAL	PLATING & COLOR
UNLESS OTHERWISE SPECIFIED TOLERANCES				
DECIMALS: ANGLES:				
X	:±0.5	X	:±2°	
X.X	:±0.3	X.X	:±1°	
X.XX	:±0.2			

 Singatron Enterprise Co., Ltd. 信亨企業股份有限公司	
TITLE	Ø3.5 PHONE JACK
DMW	Sidney 08.03.10
CHKD	Lussen 08.03.10
APVD	Max 08.03.10
SCALE: 4/1 UNIT: mm SHEET: 1 OF 1 REV: B CUSTOMER COPY(SZ)	