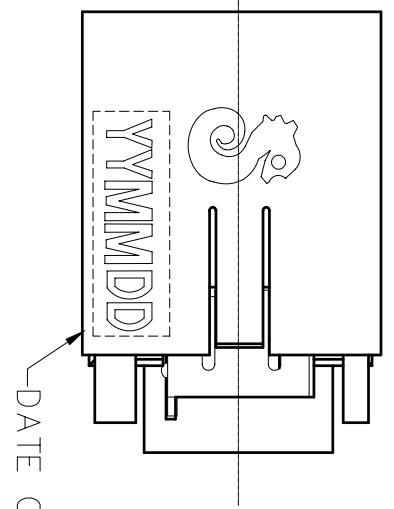
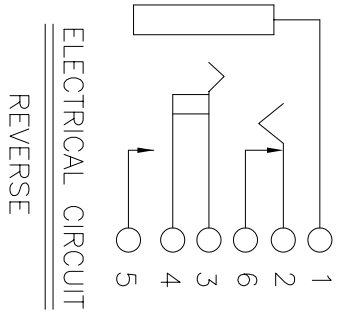
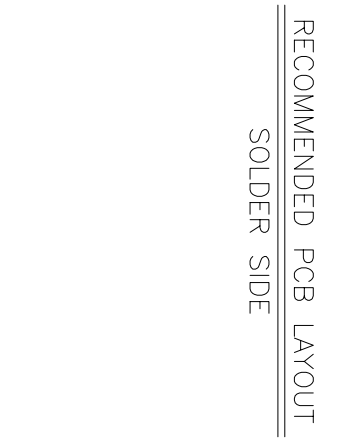
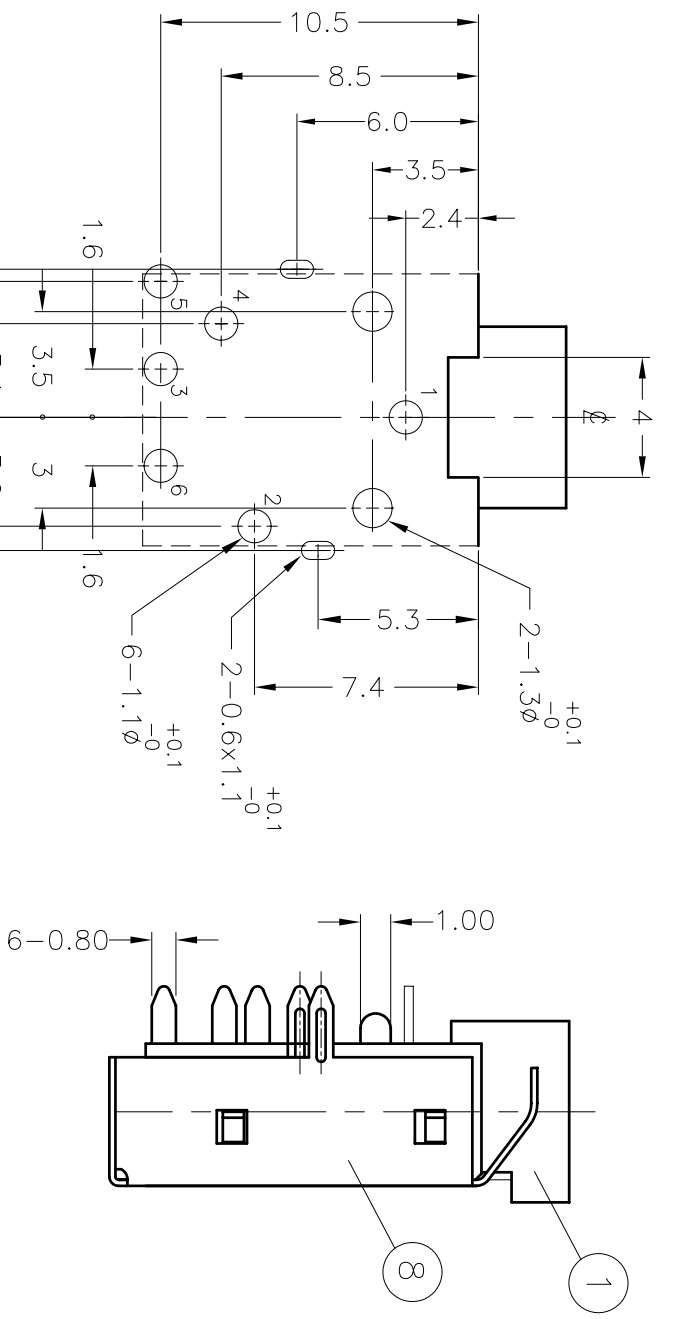
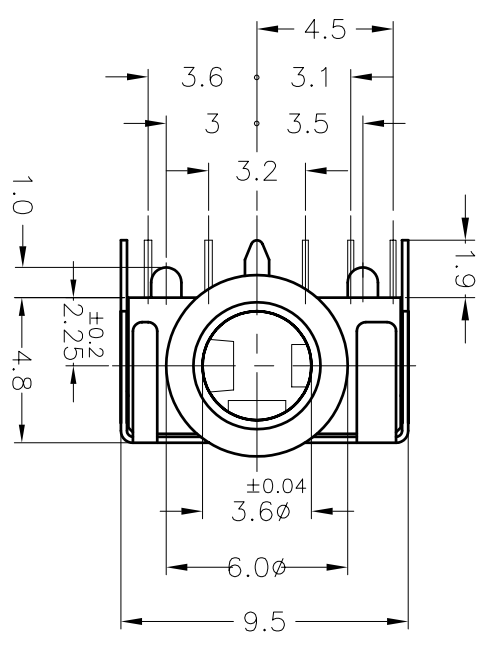
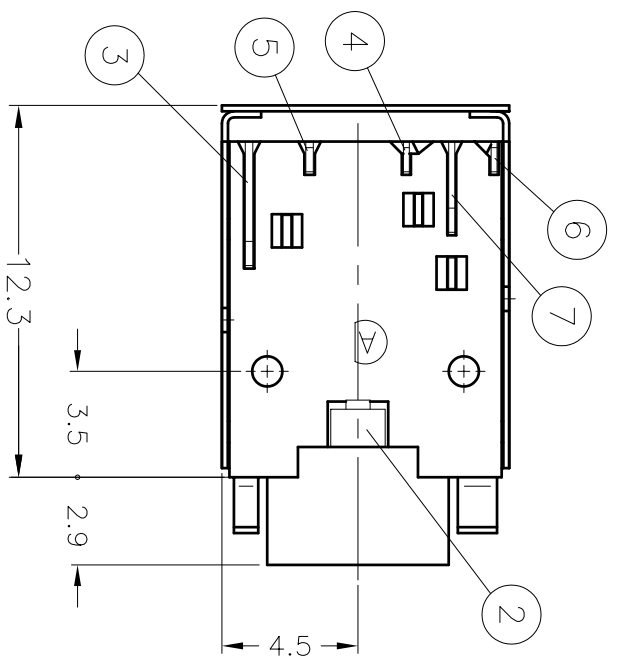


REV.	ECN NO OR DESCRIPTION	REVISED	DATE
A	PRODUCT RELEASE	EVEN	2004.11.19



- SPECIFICATIONS :
- INSULATION RESISTANCE BETWEEN ANY ADJACENT OPEN CIRCUIT TERMINAL SHELL NOT BE LESS THAN 100M Ω MEASURED BY 500 VDC MEGGER.
 - CONTACT RESISTANCE : 30m Ω MAX.
 - INSULATION VOLTAGE WITHSTAND : 500V AC FOR ONE MINUTE.
 - UNLESS OTHERWISE SPECIFIED. TEST IS TO BE MADE AT 5-35°C IN TEMPERATURE AND 45-85% IN HUMIDITY. BUT,IF ANY VAGUE DATA IS OCCURED ON TEST RESULT, ANOTHER TEST SHALL BE MADE AT 20°C \pm 2°C IN TEMP., 60-70% IN HUMIDITY.
 - LIFE TEST : 5,000 CYCLES MIN. (NON-LOAD)
 - INSERTION FORCE : 0.4 - 3Kg.
 - WITHDRAWAL FORCE : 0.3 - 2Kg.
 - AFTER LIFE TEST, CONTACT RESISTANCE: 50m Ω MAX.
 - AFTER HUMIDITY TEST, INSULATION RESISTANCE: 50M Ω MIN.
 - MARKING: MARK "S" ON TOP OF CONNECTOR.
 - PACKING : TAPE & REEL.
 - TO CONFORM TO THE "SE-01-001" & "ROHS DIRECTIVE"
 - GREEN PRODUCT IDENTIFICATION MARK IN JACK:
 - GREEN PRODUCT IDENTIFICATION LABEL IN PACKING:
 - FOR LEAD-FREE PROCESS.

G.P. PASS

8	SHIELDING	1	PHOSPHOR BRONZE 0.2t	NICKEL PLATING
7	TRANSFER TERMINAL	1	PHOSPHOR BRONZE 0.2t	SILVER PLATING
6	BREAK TERMINAL	1	PHOSPHOR BRONZE 0.2t	SILVER PLATING
5	SHUNT TERMINAL-A	1	BRASS 0.25t	SILVER PLATING
4	RING SPRING	1	PHOSPHOR BRONZE 0.2t	SILVER PLATING
3	TIP SPRING	1	PHOSPHOR BRONZE 0.25t	SILVER PLATING
2	EARTH	1	COPPER ALLOY 0.3t	SILVER PLATING
1	BODY	1	HIGH TEMP.THERMOPLASTIC UL 94V-0	LIGHT BLUE COLOR (PANTONE NO.284C)
NO	DESCRIPTION	QTY	MATERIAL	PLATING & COLOR

Singatron Enterprise Co., Ltd.
信音企業股份有限公司

UNLESS OTHERWISE SPECIFIED TOLERANCES		TITLE	
DECIMALS:	ANGLES:	3.5 ϕ PHONE JACK	
X : \pm 0.3	X : \pm 2°	DWN	REV 2004.11.19
X.X : \pm 0.2	X.X : \pm 1°	CHKD	PART NO. 2SJ-S351-005
X.XX : \pm 0.1		APVD	SCALE:4/1
			UNIT: MM
			SIZE: A3
			SHEET:1 OF 1
			REV: A