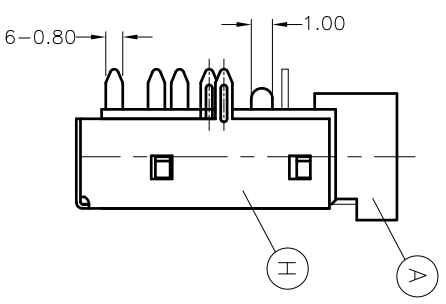
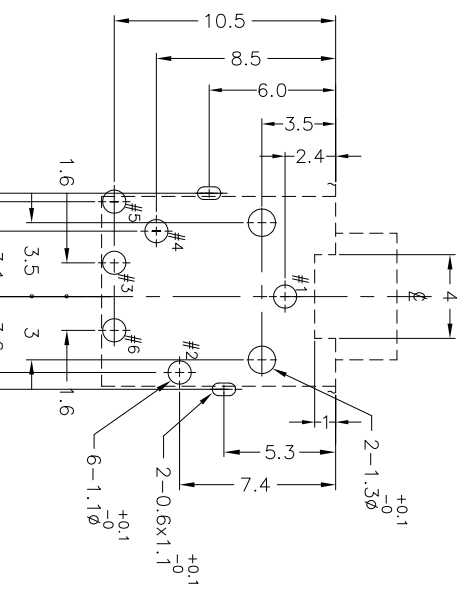
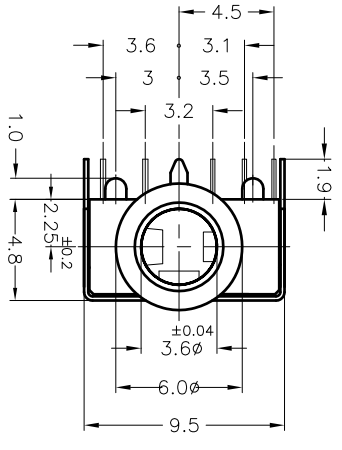
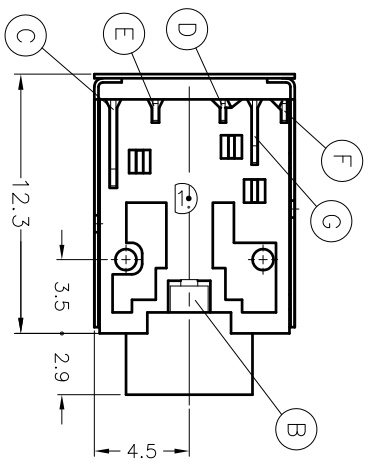
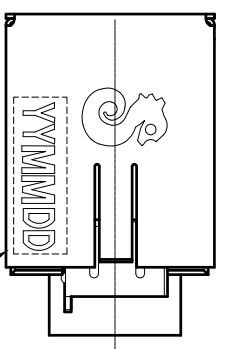
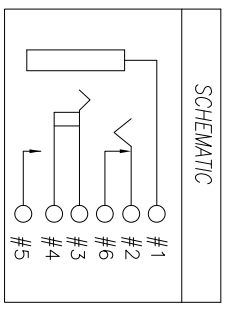


REV.	ECN NO.	OR DESCRIPTION	REVISED	DATE
A	PDR	RELEASE	EVEN	2006.9.13
B	ECN NO.	S100837	Swina	2010.08.27



RECOMMENDED PCB LAYOUT  
(TOLERANCE: ±0.05)



- SPECIFICATIONS:
- INSULATION RESISTANCE BETWEEN ANY ADJACENT OPEN CIRCUIT TERMINAL SHELL NOT BE LESS THAN 100MΩ, MEASURED BY 500 VDC MEGGER.
  - CONTACT RESISTANCE: 30mΩ MAX.
  - INSULATION VOLTAGE WITHSTAND: 500V AC FOR ONE MINUTE.
  - UNLESS OTHERWISE SPECIFIED, TEST IS TO BE MADE AT 5-35°C IN TEMPERATURE AND 45-85% IN HUMIDITY. BUT, IF ANY VAGUE DATA IS OCCURED ON TEST RESULT, ANOTHER TEST SHALL BE MADE AT 20°C±2°C IN TEMP., 60-70% IN HUMIDITY.
  - LIFE TEST: 5,000 CYCLES MIN. (NON-LOAD)
  - INSERTION FORCE: 0.4 - 3kg.
  - WITHDRAWAL FORCE: 0.3 - 2kg.
  - AFTER LIFE TEST, CONTACT RESISTANCE: 50mΩ MAX.
  - AFTER HUMIDITY TEST, INSULATION RESISTANCE: 50MΩ MIN.
  - MARKING: MARK "G" ON TOP OF CONNECTOR.
  - PACKAGING: TAPE & REEL.
  - TO CONFORM TO SINGATRON HAZARDOUS SUBSTANCE FREE SPEC.
  - GREEN PRODUCT IDENTIFICATION MARK ON JACK:
  - GREEN PRODUCT IDENTIFICATION LABEL ON PACKAGING:
  - SOLDER HEAT RESISTANCE: 265°C 10 SECS.

H	SHIELDING	1	PHOSPHOR BRONZE 0.2t	NICKEL PLATING
G	TRANSFER TERMINAL	1	PHOSPHOR BRONZE 0.2t	SILVER PLATING
F	BREAK TERMINAL	1	PHOSPHOR BRONZE 0.2t	SILVER PLATING
E	SHUNT TERMINAL-A	1	BRASS 0.25t	SILVER PLATING
D	RING SPRING	1	PHOSPHOR BRONZE 0.2t	SILVER PLATING
C	TIP SPRING	1	PHOSPHOR BRONZE 0.25t	SILVER PLATING
B	EARTH	1	COPPER ALLOY 0.3t	SILVER PLATING
A	BODY	1	HIGH TEMP.THERMOPLASTIC UL 94V-0	LIGHT BLUE COLOR(284C) PLATING & COLOR
NO	DESCRIPTION	QTY	MATERIAL	PLATING & COLOR

UNLESS OTHERWISE SPECIFIED TOLERANCES

DECIMALS:	ANGLES:
X :±0.5	X :±2°
X.X :±0.3	X.X :±1°
X.XX :±0.2	

TITLE	3.5Ø PHONE JACK
DWN	Swina 2010.08.27
CHKD	Assen 2010.08.03
APVD	Tom 2010.08.03
SCALE: 4:1	
UNIT: mm	
SIZE: A3	
SHEET: 1 OF 1	
REV: B	

Singatron Enterprise Co., Ltd.  
信亨企業股份有限公司

CUSTOMER COPY

A B C D E F

1 2 3 4 5 6 7 8

A B C D E F

1 2 3 4 5 6 7 8