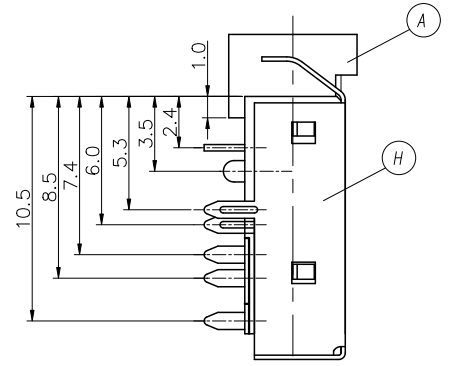
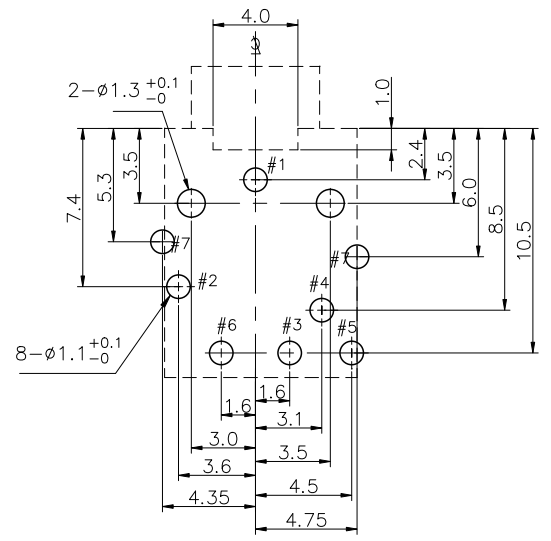
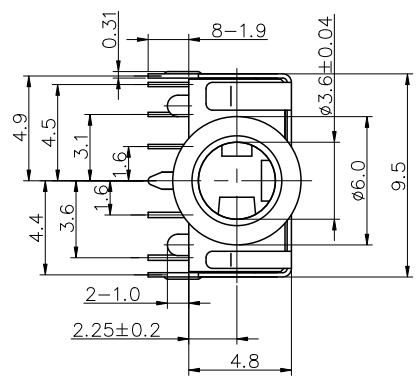
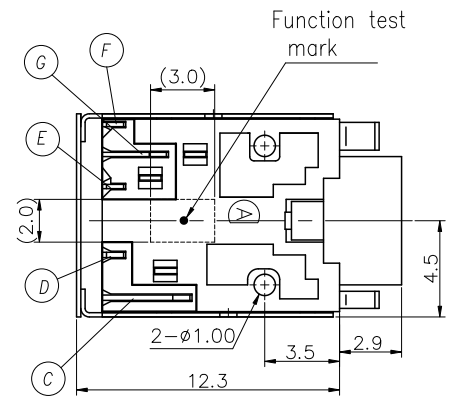


REV.	ECN NO OR DESCRIPTION	REVISED	DATE
A	PDR NO:T090909-2A/2B/2C	Bruce	2009.10.17
B	ECN NO: S120324	Angus	2012.05.31
C	ECN NO: S140837	ANDY	2014.10.24
D	ECN NO: S150134	ANDY	2015.01.20
E	ECN NO: S202207-005A	Jielin	2023.03.14



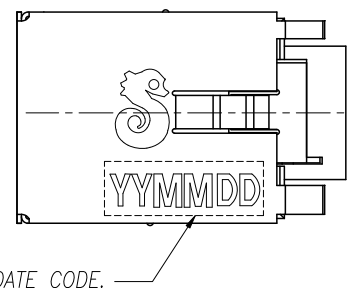
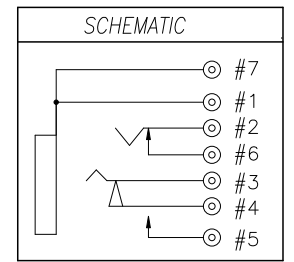
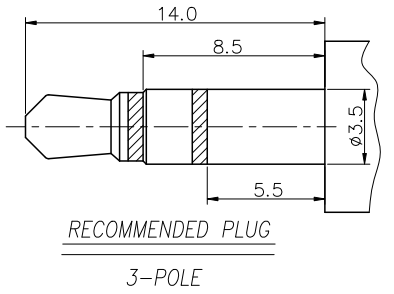
- SPECIFICATIONS:**
- INSULATION RESISTANCE BETWEEN ANY ADJACENT OPEN CIRCUIT TERMINAL SHELL NOT BE LESS THAN 100MΩ MEASURED BY 500 VDC MEGGER.
  - CONTACT RESISTANCE: 30mΩ MAX.
  - INSULATION VOLTAGE WITHSTAND: 500V AC FOR ONE MINUTE.
  - UNLESS OTHERWISE SPECIFIED, TEST IS TO BE MADE AT 5-35°C IN TEMPERATURE AND 45-85% IN HUMIDITY. BUT, IF ANY VAGUE DATA IS OCCURED ON TEST RESULT, ANOTHER TEST SHALL BE MADE AT 20°C±2°C IN TEMP., 60-70% IN HUMIDITY.
  - LIFE TEST: 5,000 CYCLES MIN. (NON-LOAD)
  - INSERTION FORCE :0.4 - 3Kg.
  - WITHDRAWAL FORCE: 0.3 - 2Kg.
  - AFTER LIFE TEST, CONTACT RESISTANCE: 50mΩ MAX.
  - AFTER HUMIDITY TEST, INSULATION RESISTANCE: 50MΩ MIN.
  - MARKING: MARK "S" ON TOP OF CONNECTOR.
  - PACKAGING : TAPE & REEL.
  - TO CONFORM TO SINGATRON HAZARDOUS SUBSTANCE FREE SPEC
  - HALOGEN FREE PRODUCT IDENTIFICATION MARK ON PRODUCT:
  - HALOGEN FREE PRODUCT IDENTIFICATION LOGO ON PACKING:
  - FOR LEAD-FREE PROCESS.

TABLE 1

P/N	COLOR
2SJ-S351-053	PINK (PAN#701C)
2SJ-S351-055	BLUE (PAN.#284C)

NO	DESCRIPTION	QTY	MATERIAL	PLATING & COLOR
H	SHIELDING	1	PHOSPHOR BRONZE 0.2t	Ni 1.5μ m MIN.
G	TRANSFER TERMINAL	1	PHOSPHOR BRONZE 0.2t	120u" Sn ON SOLDER
F	BREAK TERMINAL	1	PHOSPHOR BRONZE 0.2t	GOLD FLASH ON CONTACT AREA OVER 50u" Ni.
E	RING SPRING	1	PHOSPHOR BRONZE 0.2t	
D	SHUNT TERMINAL-A	1	BRASS 0.25t	GOLD FLASH ON CONTACT AREA OVER 50u" Ni.
C	TIP SPRING	1	PHOSPHOR BRONZE 0.25t	Ag0.5μ m Min, OVER 50u" Ni .
B	EARTH	1	COPPER ALLOY 0.3t	
A	BODY	1	HIGH TEMP.THERMOPLASTIC UL 94V-0	SEE "TABLE 1"

RECOMMENDED PCB LAYOUT (TOP VIEW)  
(TOLERANCE: ±0.05)



UNLESS OTHERWISE SPECIFIED TOLERANCES		Singatron Enterprise Co., Ltd. 信音企業股份有限公司		
DECIMALS:	ANGLES:	TITLE: 3.5φ PHONE JACK		
X :±0.5	X :±2°	DWN	Jielin	PART NO. 2SJ-S351-05X
X.X :±0.3	X.X :±1°	CHKD	Bruce	SCALE:4:1 UNIT: mm
X.XX :±0.2		APVD	Liao	SIZE: A3 SHEET: 1 OF 1 REV: E
<b>CUSTOMER COPY</b>				