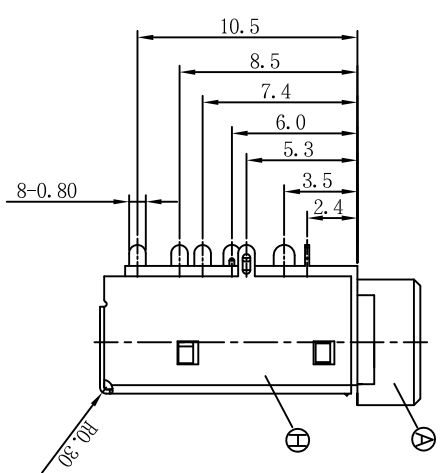
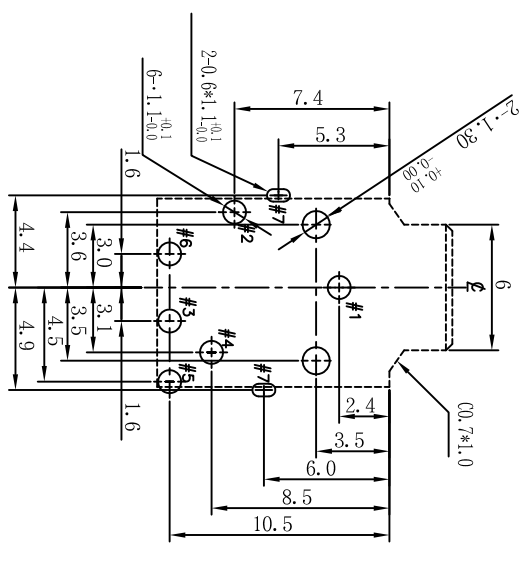
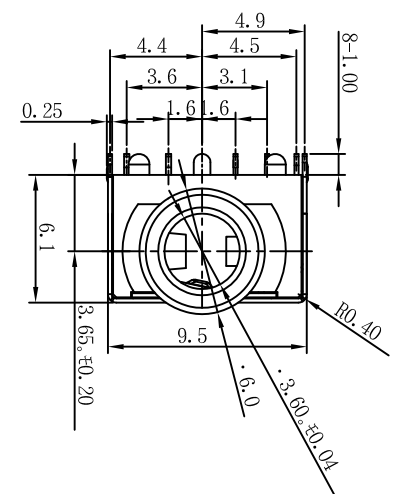
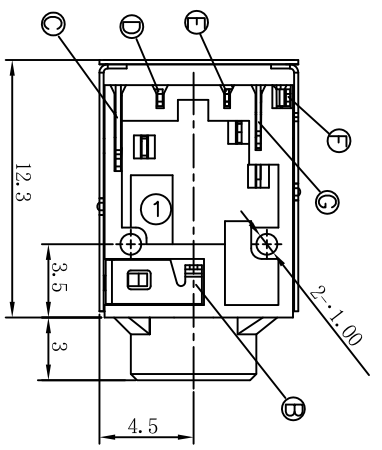
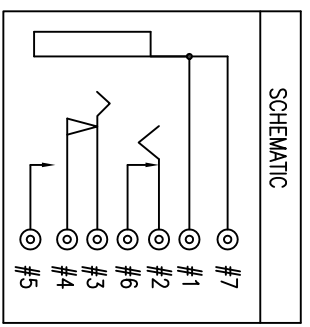
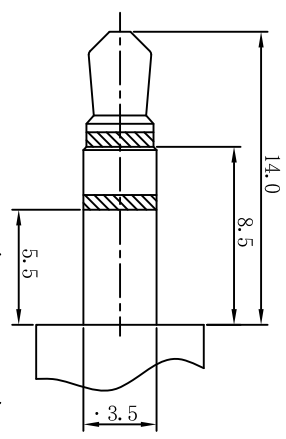
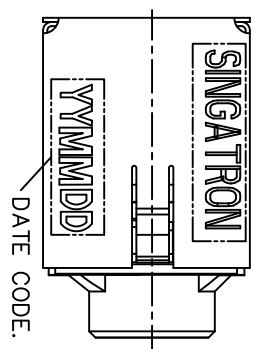


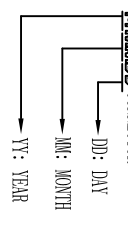
REV./ECN NO OR DESCRIPTION	REVISED	DATE
A PDR NO:110608-3A	Owen	2011.11.29



RECOMMEND PCB LAYOUT
TOP VIEW(TOL.±0.05)



- SPECIFICATIONS:
- ELECTRICAL CHARACTERISTICS:
 - RATING: 12V 1A
 - CONTACT RESISTANCE: 30m MAX. (INITIAL)
 - DIELECTRIC WITHSTANDING VOLTAGE: 500V AC FOR ONE MINUTE
 - INSULATION RESISTANCE: 100M MIN. MEASURED BY 500 VDC
 - MECHANICAL CHARACTERISTICS:
 - INSERTION FORCE :0.4-3KGf
 - WITHDRAWAL FORCE : 0.3-2.0KGf
 - LIFE TEST: 5,000 CYCLES MIN.
 - OTHER GENERAL SPEC. TO REFER "S31-S3018 SERIES SPEC".
 - TO CONFORM TO SINGATRON HAZARDOUS SUBSTANCE FREE SPEC.
 - GREEN PRODUCT IDENTIFICATION MARK ON JACK:
 - GREEN PRODUCT IDENTIFICATION LABEL ON PACKAGING:
 - FOR REFLOW SOLDERING LEAD-FREE PROCESS.
 - PACKING-TAPE/BAFFLE
 - PRINTED DATE CODE*



H	SHIELDING	1	PHOSPHOR BRONZE 0.2t	Ni 60u"
G	TRANSFER TERMINAL	1	PHOSPHOR BRONZE 0.2t	GOLD FLASH ON CONTACT AREA
F	BREAK TERMINAL	1	PHOSPHOR BRONZE 0.2t	120u" Sn ON SOLDER AREA
E	RING SPRING	1	PHOSPHOR BRONZE 0.2t	ALL OVER 50u" Ni.
D	SHUNT TERMINAL-A	1	BRASS 0.25t	GOLD FLASH ON CONTACT AREA OVER 50u" Ni.
C	TIP SPRING	1	PHOSPHOR BRONZE 0.25t	Ag20u"Min OVER Ni50u"Min.
B	EARTH	1	PHOSPHOR BRONZE 0.2t	Ag20u"Min OVER Ni20u"Min.
A	BODY	1	HIGH TEMP.THERMOPLASTIC UL 94V-0	RED 1807C
NO	DESCRIPTION	QTY	MATERIAL	PLATING & COLOR

UNLESS OTHERWISE SPECIFIED TOLERANCES

SINGATRON ENTERPRISE CO., LTD.
信音企業股份有限公司

TITLE: 3.5Ø PHONE JACK

DWN: Owen PART NO.2SJ-S351-084H
CHKD: Lussen SCALE:4:1 UNIT: mm
APVD: Max SIZE: A3 SHEET:1 OF 1 REV:A

CUSTOMER COPY

1 2 3 4 5 6 7 8