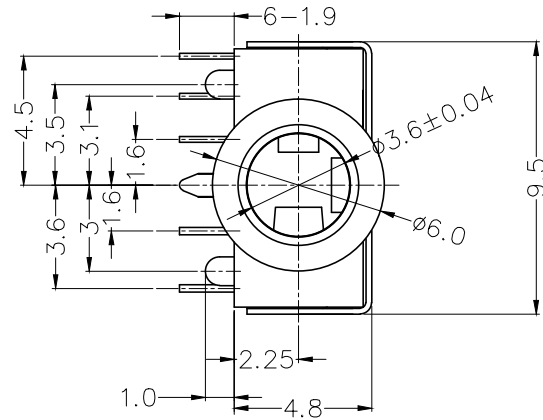
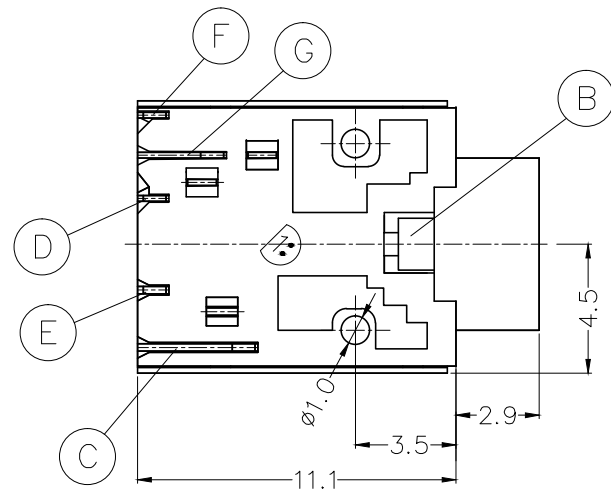


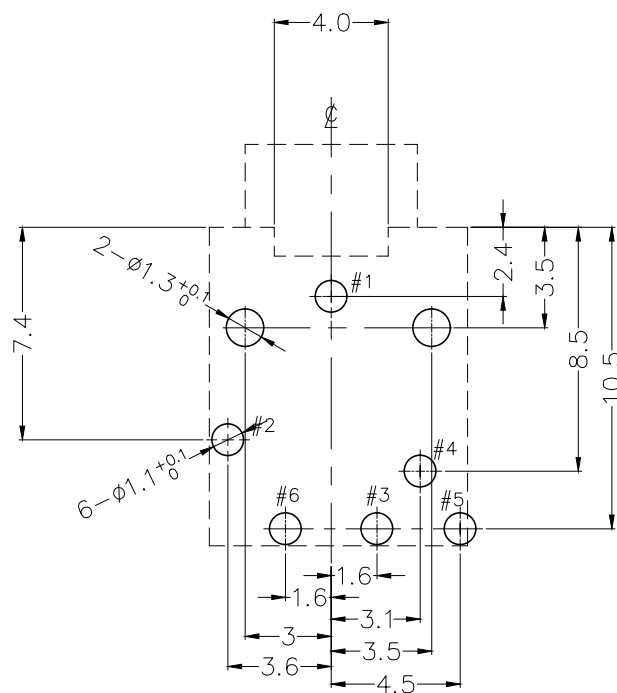
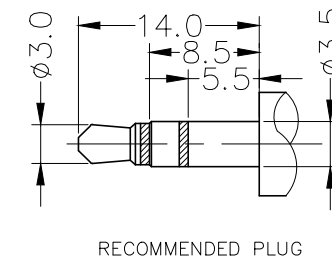
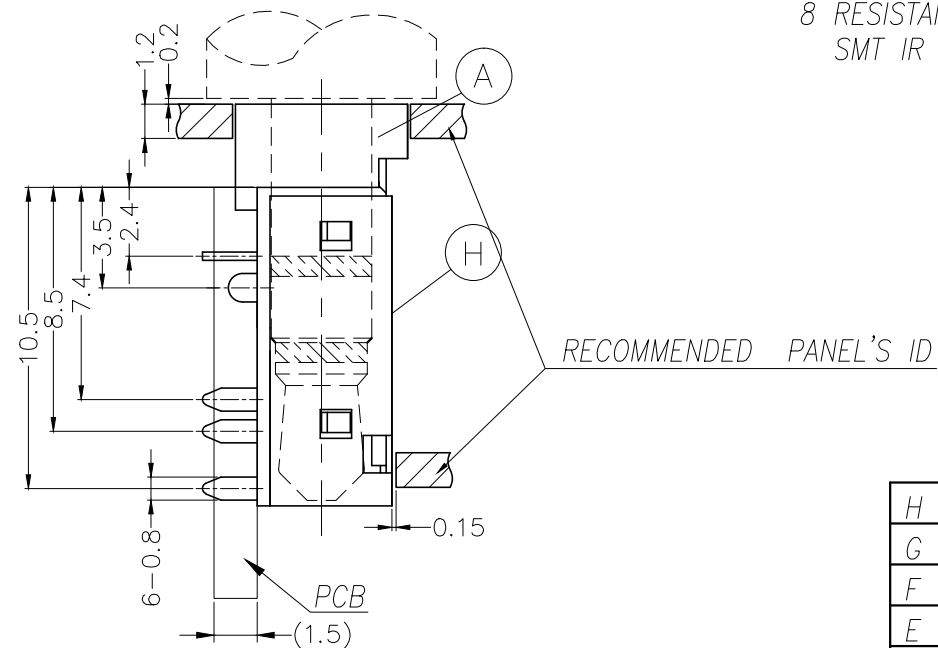
REV.	ECN NO OR DESCRIPTION	REVISED	DATE
A	PDR NO:T160728-5A	Steven	2017.05.17



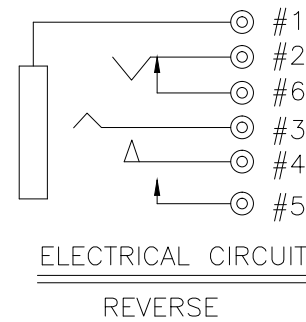
SPECIFICATIONS:

- ELECTRICAL CHARACTERISTICS:**
 - 1-1. RATING: 12V 1A
 - 1-2. CONTACT RESISTANCE: 50mΩ MAX.(INITIAL)
 - 1-3. DIELECTRIC WITHSTANDING VOLTAGE: 500V AC FOR ONE MINUTE.
 - 1-4. INSULATION RESISTANCE: 100MΩ MIN. MEASURED BY 500 VDC
- MECHANICAL CHARACTERISTICS:**
 - 2-1. INSERTION FORCE : 0.3~3.0 KGF
 - 2-2. WITHDRAWAL FORCE : 0.3~3.0 KGF
- LIFE TEST: 5,000 CYCLES .**
- TO CONFORM TO SINGATRON HAZARDOUS SUBSTANCE FREE SPEC .**
- GREEN PRODUCT IDENTIFICATION MARK IN JACK:**
- GREEN PRODUCT IDENTIFICATION LABEL IN PACKING:** **G.P. PASS**
- FOR REFLOW SOLDERING LEAD-FREE PROCESS.**
- RESISTANCE TO SOLDER HEAT:DIP WAVE SOLDER:270C MAX,5 SEC
SMT IR REFLOW:260C,5 SEC**

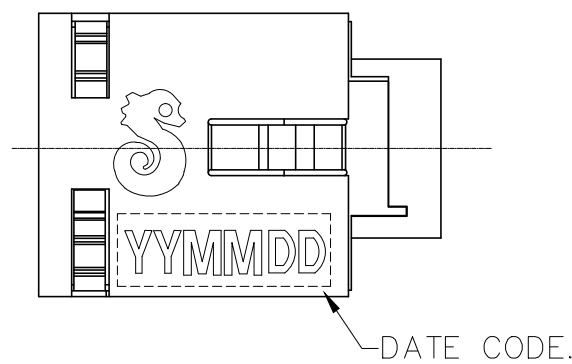
G.P. PASS



RECOMMENDED PCB LAYOUT
TOP VIEW



ELECTRICAL CIRCUIT
REVERSE



H	SHIELDING	1	C5191-H 0.2t	Ni 1.5um MIN.
G	TRANSFER TERMINAL	1	C5210-SH 0.2t	GOLD FLASH ON CONTACT AREA Matte Sn120u" ON SOLDER AREA ALL OVER 50u" Ni.
F	BREAK TERMINAL	1	C5191-H 0.2t	
E	SHUNT TERMINAL-A	1	C2680-H 0.25t	Ag 20uin OVER Ni 60uin.
D	RING SPRING	1	C5210-EH 0.2t	GOLD FLASH ON CONTACT AREA Matte Sn120u" ON SOLDER AREA ALL OVER 50u" Ni.
C	TIP SPRING	1	C5210-EH 0.25t	Ag 20u"OVER ALL, Ni 50u" OVER ALL
B	EARTH	1	C5210-H 0.3t	
A	BODY	1	PA9T+30%GF(GN2330-1)	LIME COLOR(577C)
NO	DESCRIPTION	QTY	MATERIAL	PLATING & COLOR

UNLESS OTHERWISE SPECIFIED TOLERANCES

Singatron Enterprise Co., Ltd.
信音企業股份有限公司

DECIMALS:	ANGLES:	TITLE	3.5φ PHONE JACK		
X :±0.5	X :±2°	DWN	Steven	PART NO. 2SJ-S351-101H	
X.X :±0.3	X.X :±1°	CHKD	BRUCE	SCALE: 4/1	UNIT: mm
X.XX :±0.2		APVD	LUSSEN	SIZE: A3	SHEET: 1 OF 1

CUSTOMER COPY