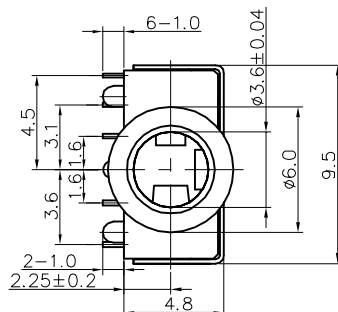
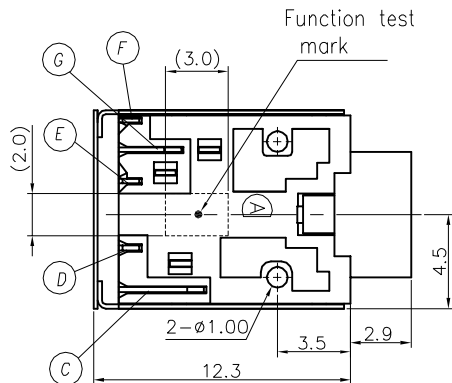
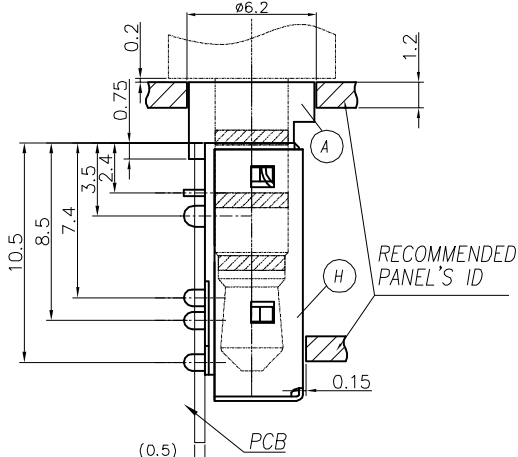


REV.	ECN NO OR DESCRIPTION	REVISED	DATE
A	PDR NO:T160614-7A/7B	MARS	2016.09.22



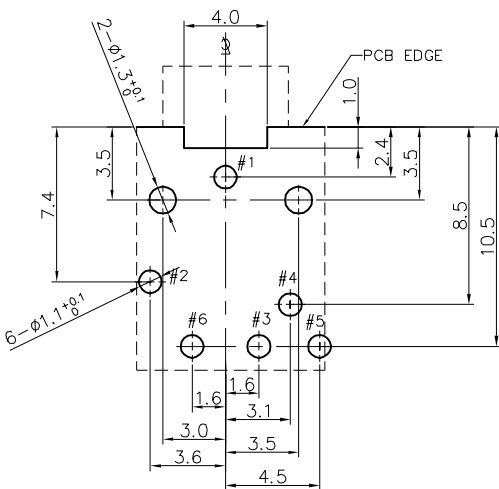
SPECIFICATIONS:

- ELECTRICAL CHARACTERISTICS:
 - 1-1. RATING: 12V 1A
 - 1-2. CONTACT RESISTANCE: 50mΩ MAX.(INITIAL)
 - 1-3. DIELECTRIC WITHSTANDING VOLTAGE: 500V AC FOR ONE MINUTE.
 - 1-4. INSULATION RESISTANCE: 100MΩ MIN. MEASURED BY 500 VDC
- MECHANICAL CHARACTERISTICS:
 - 2-1. INSERTION FORCE : 0.3~3.0 KGF
 - 2-2. WITHDRAWAL FORCE : 0.3~3.0 KGF
- LIFE TEST: 5,000 CYCLES .
- TO CONFORM TO SINGATRON HAZARDOUS SUBSTANCE FREE SPEC.
- HALOGEN FREE PRODUCT IDENTIFICATION MARK ON PRODUCT: ☉
- HALOGEN FREE PRODUCT IDENTIFICATION LOGO ON PACKAGING:
- FOR REFLOW SOLDERING LEAD-FREE PROCESS.
- PLEASE PUT THE PRODUCT IN A CONDITION WHERE IS FULL OF NITROGEN WHEN PASS THE IR REFLOW



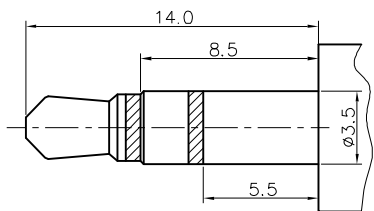
"TABLE 1"

P/N	COLOR
2SJ-S351-099F	PINK (PAN#701C)
2SJ-S351-100F	LIME (PAN.#577C)



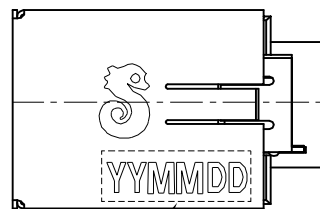
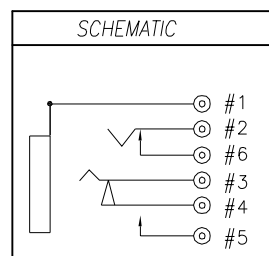
RECOMMENDED PCB LAYOUT (TOP VIEW)

(TOLERANCE: ±0.05)



RECOMMENDED PLUG

3-POLE



DATE CODE.

NO	DESCRIPTION	QTY	MATERIAL	PLATING & COLOR
H	SHIELDING	1	PHOSPHOR BRONZE 0.2t	Ni 1.5μ m MIN.
G	TRANSFER TERMINAL	1	PHOSPHOR BRONZE 0.2t	Motte Sn120u" ON SOLDER AREA
F	BREAK TERMINAL	1	PHOSPHOR BRONZE 0.2t	GOLD FLASH ON CONTACT AREA OVER 50u" Ni.
E	RING SPRING	1	PHOSPHOR BRONZE 0.2t	
D	SHUNT TERMINAL-A	1	BRASS 0.25t	Ag 20uin OVER Ni 60uin.
C	TIP SPRING	1	PHOSPHOR BRONZE 0.25t	Ag0.5μ m Min, OVER 50u" Ni .
B	EARTH	1	COPPER ALLOY 0.3t	
A	BODY	1	HIGH TEMP.THERMOPLASTIC UL 94V-0	SEE "TABLE 1"

UNLESS OTHERWISE SPECIFIED TOLERANCES

Singatron Enterprise Co., Ltd.
信音企業股份有限公司

DECIMALS:	ANGLES:	TITLE	3.5ø PHONE JACK		
X : ±0.5	X : ±2°	DWN	MARS	PART NO. 2SJ-S351-XXXXF	
X.X : ±0.3	X.X : ±1°	CHKD	BRUCE	SCALE:4:1	UNIT: mm
X.XX : ±0.2		APVD	LUSSEN	SIZE: A3	SHEET: 1 OF 1

CUSTOMER COPY