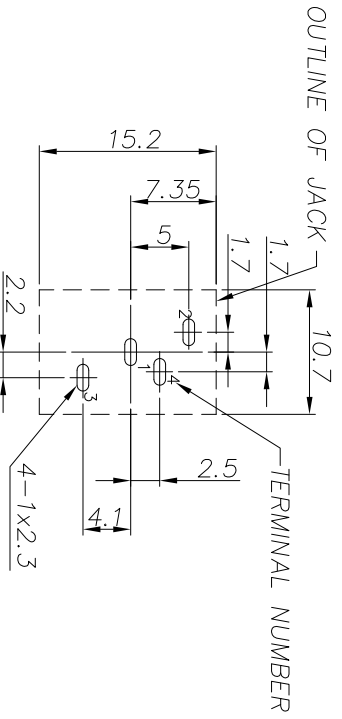
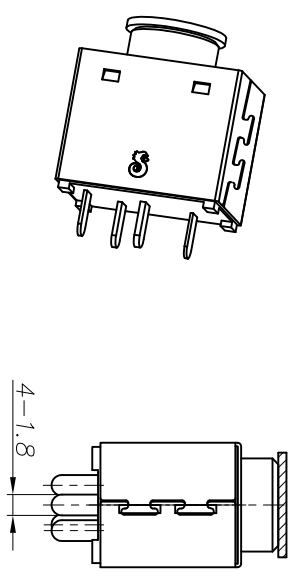
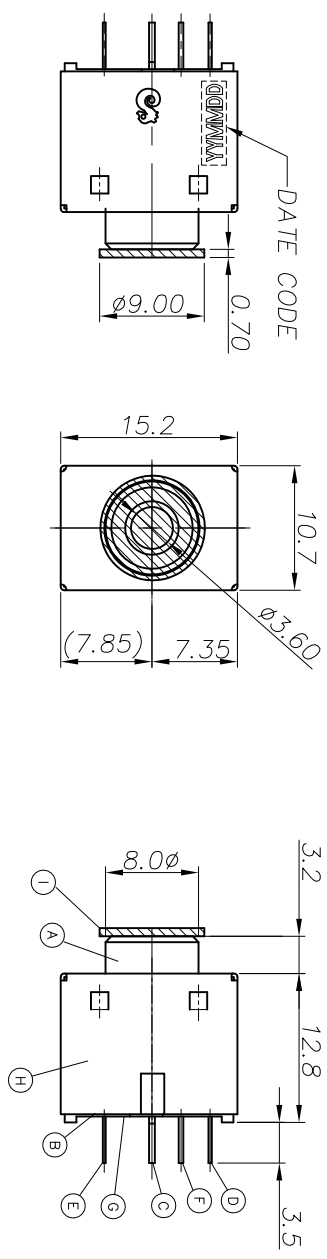


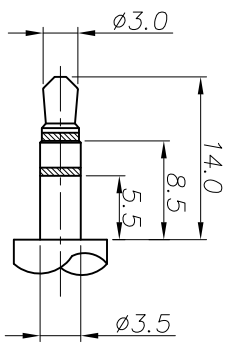
REV.	ECN NO.	OR DESCRIPTION	REVISED	DATE
A	PDR NO. T100415-5A		Dengfeng	2011.04.15
B	ECN NO. S110305		Cery	2011.04.26

SPECIFICATIONS:

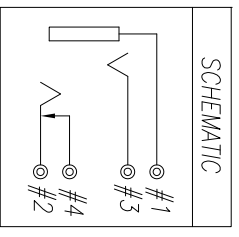
- INSULATION RESISTANCE TO BE NOT LESS THAN 100 MEGOHMS R.M.S. AT 250 VDC.
- MAXIMUM CONTACT RESISTANCE 30 MILLIOHMS.
- JACK SHALL WITHSTAND 250 VAC(CUT-OFF CURRENT:1mA) BETWEEN ANY ADJACENT TERMINAL FOR 1 MINUTE. JACK SHALL WITHSTAND 5,000 CYCLES OF INSERTION AND WITHDRAWAL WITH MATE PLUG OR GAUGE PLUG AFTER TESTING CONTACT RESISTANCE SHALL NOT EXCEED 0.1 OHMS.
- INSERTION FORCE
 - INITIAL: 0.4KG - 2.5KG.
 - AFTER 5,000 CYCLES TEST: 0.3KG - 2.5KG
- WITHDRAWAL FORCE
 - INITIAL: 0.4KG - 2.5KG
 - AFTER 5,000 CYCLES TEST: 0.3KG - 2.5KG
- MEASURING CONDITIONS:
 - TEMPERATURE: FROM 5°C TO 40°C.
 - RELATIVE HUMIDITY: FROM 40% TO 85%
- RESISTANCE TO SOLDERING HEAT: LEADS TO BE IMMERSED IN MOLTEN SOLDER 260°C FOR 10 SECONDS @1.57mm FROM BOTTOM WITH NO DEGRADATION OF ELECTRICAL OR MECHANICAL SPECIFICATION.
- MARKING: MARK "S" ON SIDE OF CONNECTOR.
- TO CONFORM TO SINGATRON HAZARDOUS SUBSTANCE FREE SPEC
- HALOGEN FREE PRODUCT IDENTIFICATION MARK ON JACK:
- HALOGEN FREE PRODUCT IDENTIFICATION LABEL ON PACKAGING:
- SOLDERABILITY AND MAX. SOLDER TEMPERATURE ACCORDING ICP /JEDEC J-STND-020C.



RECOMMENDED PCB LAYOUT
TOP VIEW (TOLERANCE: ±0.05)



RECOMMENDED PLUG
3-POLE



SCHEMATIC

NO	DESCRIPTION	QTY	MATERIAL	PLATING & COLOR
I	CAP	1	HIGH TEMP. THERMOPLASTIC UL 94V-0	BLACK
H	SHIELDING	1	SPCC 0.3t	IN 60U" MIN OVER CU 80U" MIN
G	SHUNT TERMINAL B	1	BRASS 0.4t	Aq 20U"Min
F	SHUNT TERMINAL A	1	BRASS 0.4t	Aq 20U"Min
E	RING SPRING	1	PHOSPHOR BRONZE 0.3t	Aq 20U"Min
D	TIP SPRING	1	COOPER ALLOY 0.3t	Aq 20U"Min
C	EARTH TERMINAL	1	PHOSPHOR BRONZE 0.5t	Aq 20U"Min
B	COVER	1	HIGH TEMP. THERMOPLASTIC UL 94V-0	BLACK
A	BODY	1		

UNLESS OTHERWISE SPECIFIED TOLERANCES

DECIMALS: ANGLES:

X : ±0.5 X : ±2°
X.X : ±0.3 X.X : ±1'
X.XX : ±0.2

Singatron Enterprise Co., Ltd.
信音企業股份有限公司

TITLE: PHONE JACK

DWN: Cery PART NO. 2SL-S542-012

CHKD: lmm SCALE: 2:1 UNIT: mm

APVD: lmy SIZE: A3 SHEET: 1 OF 1 REV: B

CUSTOMER COPY