

REV.	ECN NO OR DESCRIPTION	REVISED	DATE
B	縮短遮蔽板長度 [1]	BERYL	11/25-'02
C	ECN NO. TO60321	JACKY	2006.11.21
D	ECN NO. TO60346	JACKY	2006.11.28

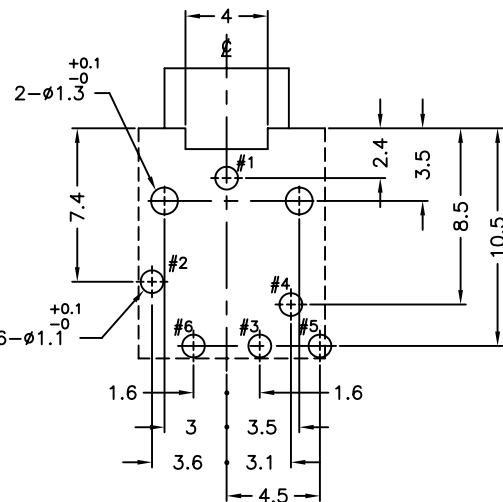
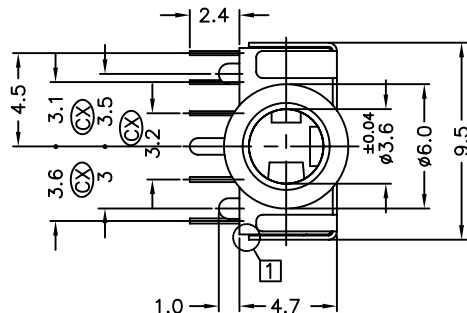
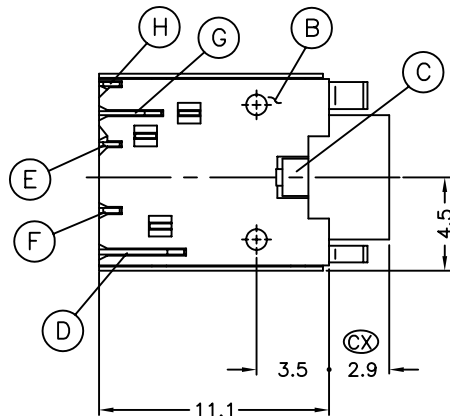
SPECIFICATIONS :

- INSULATION RESISTANCE BETWEEN ANY ADJACENT OPEN CIRCUIT TERMINAL SHELL NOT BE LESS THAN 100M Ω MEASURED BY 500 VDC MEGGER.
- CONTACT RESISTANCE: 30m Ω MAX.
- DIELECTRIC VOLTAGE WITHSTAND : 500V AC FOR ONE MINUTE.
- UNLESS OTHERWISE SPECIFIED. TEST IS TO BE MADE AT 5-35°C IN TEMPERATURE AND 45-85% IN HUMIDITY. BUT,IF ANY VAGUE DATA IS OCCURED ON TEST RESULT, ANOTHER TEST SHALL BE MADE AT 20°C±2°C IN TEMP., 60-70% IN HUMIDITY.
- LIFE TEST: 5,000 CYCLES MIN. (NON-LOAD)
- INSERTION FORCE :0.4 - 3Kg.
- WITHDRAWAL FORCE :0.3 - 2Kg.
- AFTER LIFE TEST, CONTACT RESISTANCE: 50m Ω MAX.
- AFTER HUMIDITY TEST, INSULATION RESISTANCE:50M Ω MIN.
- MARKING: MARK "S" ON TOP OF CONNECTOR.
- PACKING: TAPE & REEL.
- GREEN PRODUCT IDENTIFICATION MARK IN JACK:
- GREEN PRODUCT IDENTIFICATION LABEL IN PACKING: **G.P. PASS**
- FOR LEAD-FREE PROCESS.
- PRINTED DATE CODE "YYMMDD" ON TOP OF CONNECTOR.

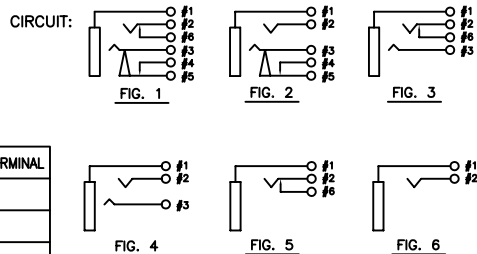
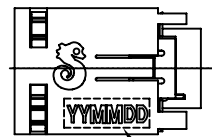
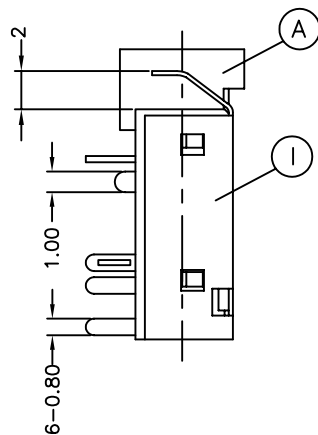
DATE CODE: **YYMMDD**

DD: DAY  
MM: MONTH  
YY: YEAR

DATE CODE.



RECOMMENDED PCB LAYOUT  
TOP VIEW (TOLERANCE: ±0.05)



NO	DESCRIPTION	QTY	MATERIAL	PLATING & COLOR
I	SHIELDING	1	PHOSPHOR BRONZE 0.2t	NICKEL PLATING
H	TRANSFER TERMINAL	*	PHOSPHOR BRONZE 0.2t	SILVER PLATING
G	BREAK TERMINAL	*	BRASS 0.2t	SILVER PLATING
F	SHUNT TERMINAL-A	*	BRASS 0.25t	SILVER PLATING
E	RING SPRING	*	PHOSPHOR BRONZE 0.2t	SILVER PLATING
D	TIP SPRING	1	PHOSPHOR BRONZE 0.25t	SILVER PLATING
C	EARTH	1	COPPER ALLOY 0.3t	SILVER PLATING
B	SEPARATOR	1	HIGH TEMP.THERMOPLASTIC UL 94V-0	BLACK COLOR
A	BODY	1	HIGH TEMP.THERMOPLASTIC UL 94V-0	LIME COLOR (PANTONE NO.577C)

UNLESS OTHERWISE SPECIFIED TOLERANCES

DECIMALS: X :±0.5  
X.X :±0.3  
X.XX :±0.2

ANGLES: X :±2°  
X.X :±1°

Singatron Enterprise Co., Ltd. 信音企業股份有限公司			
TITLE	3.5φ PHONE JACK		
DWN	JACKY 2006.11.28	PART NO. 2SJ-S82 □-019	
CHKD	LAO 2006.11.28	SCALE: 4/1	UNIT: mm
APVD	ANGELA 2006.11.28	SIZE: A3	SHEET: 1 OF 1

CUSTOMER COPY

DRAWING NO.	CIRCUIT	RING SPRING	SHUNT TERMINAL A	BREAK TERMINAL	TRANSFER TERMINAL
2SJ-S820-019	FIG. 1	1	1	1	1
2SJ-S821-019	FIG. 2	1		1	1
2SJ-S822-019	FIG. 3	1	1		
2SJ-S823-019	FIG. 4	1			
2SJ-S824-019	FIG. 5		1		
2SJ-S825-019	FIG. 6				