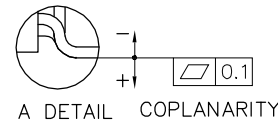
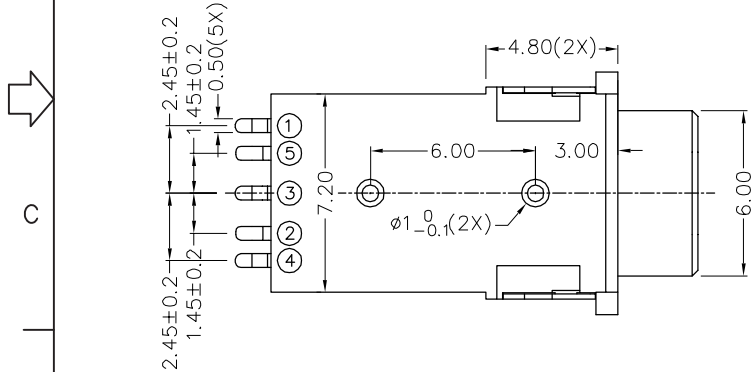
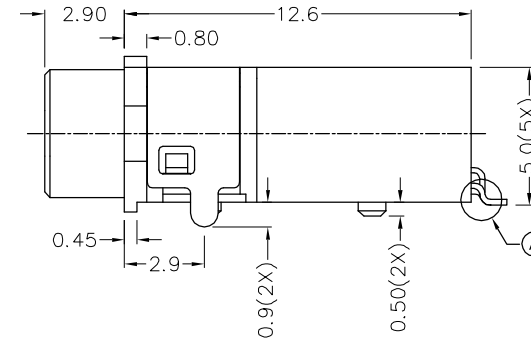
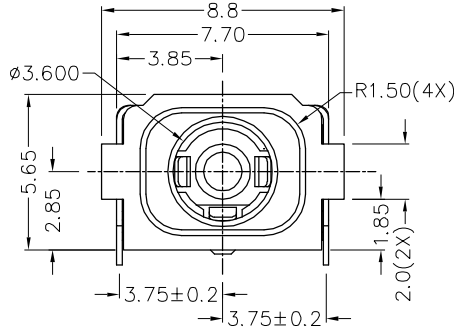
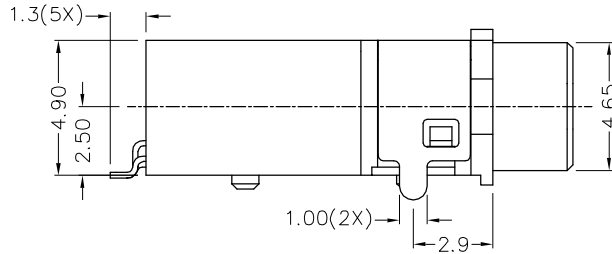
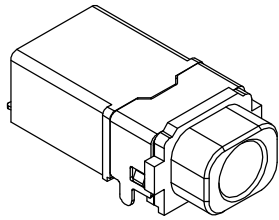




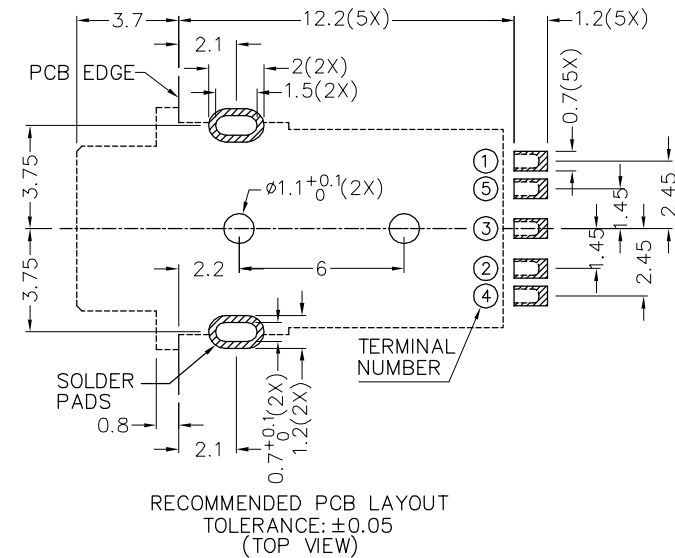
RoHS
Compliant

| ZONE | SYMBOL | REVISION | APPROVAL | DATE |
|------|--------|--------------------|-----------|-----------|
| | | ADD DUSTPROOF LOGO | J.X.KUANG | 6-11-2017 |
| | | | | |
| | | | | |

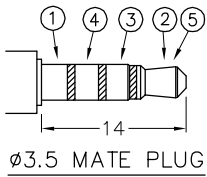


*** MATERIAL**

- TERMINAL 1 : COPPER ALLOY
- TERMINAL 2 : COPPER ALLOY
- TERMINAL 3 : COPPER ALLOY
- TERMINAL 4 : COPPER ALLOY
- TERMINAL 5 : COPPER ALLOY
- SHIELD : BRASS
- HOUSING : HIGH TEMP. PLASTIC
- COVER : HIGH TEMP. PLASTIC



| | |
|-----------|---------------|
| MODEL NO. | 2SJ-TW30015DS |
| SCHEMATIC | |



TOLERANCE UNLESS 0.0±0.2
OTHERWISE SPECIFIED: 0.00±0.1
0.000±0.05

Singatron Enterprise Co., Ltd.

| | | | |
|-------|--|------------------------|----------------------|
| TITLE | 3.5mm SMD WATERPROOF/DUSTPROOF STEREO JACK | | |
| DWN | H.L.TAN 6-11-2017 | PART NO. 2SJ-TW30015DS | |
| CHKD | P.P. 6-11-2017 | SCALE 1:1 | UNIT: mm |
| APVD | T.Y.LI 6-11-2017 | SIZE: A3 | SHEET: 1 OF 1 REV: A |

CUSTOMER COPY

1

2

3

4

5

6

7

8

F

E

D

C

B

A

F

E

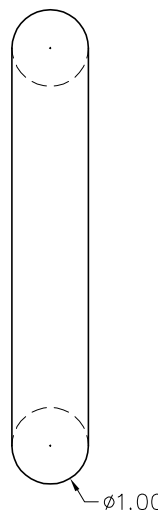
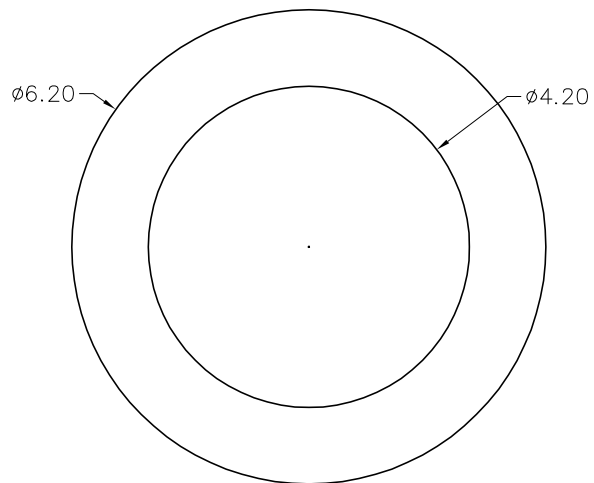
D

C

B

A

RoHS
Compliant



MATERIAL
M1.MATERIAL: Silicone,94V-0
M2.HARDNESS: 70°

Singatron Enterprise Co., Ltd.

| | | | |
|-------|-----------------------|----------|---------------------|
| TITLE | O-RING | | |
| DWN | H.L.TAN 17-3-2017 | PART NO. | O-RING-3 |
| CHKD | J.H.ZHOU 17-3-2017 | SCALE | 1:1 UNIT: mm |
| APVD | T.Y.LI 17-3-2017 | SIZE: A3 | SHEET:1 OF 1 REV: A |

TOLERANCE UNLESS 0.0±0.2
OTHERWISE SPECIFIED: 0.00±0.1
0.000±0.05

CUSTOMER COPY