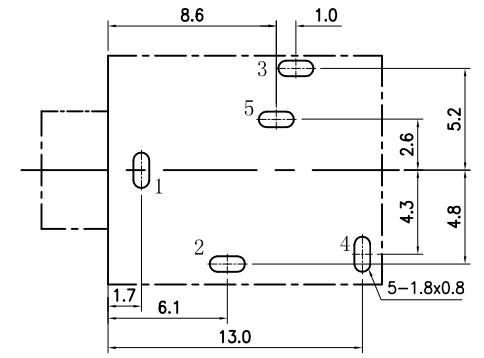
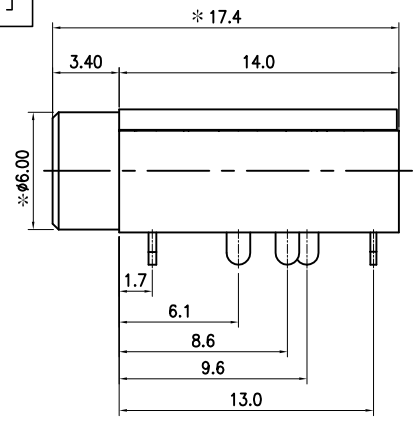
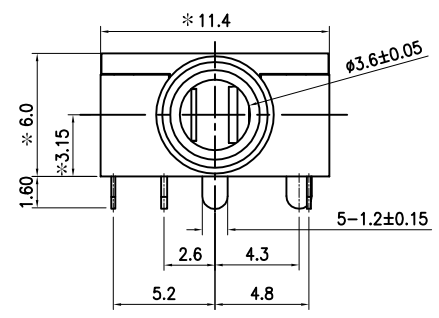
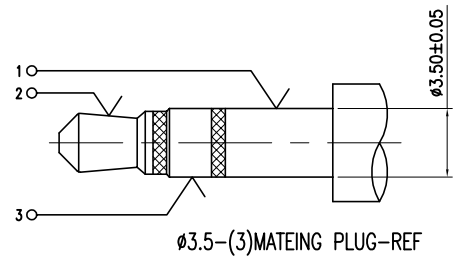


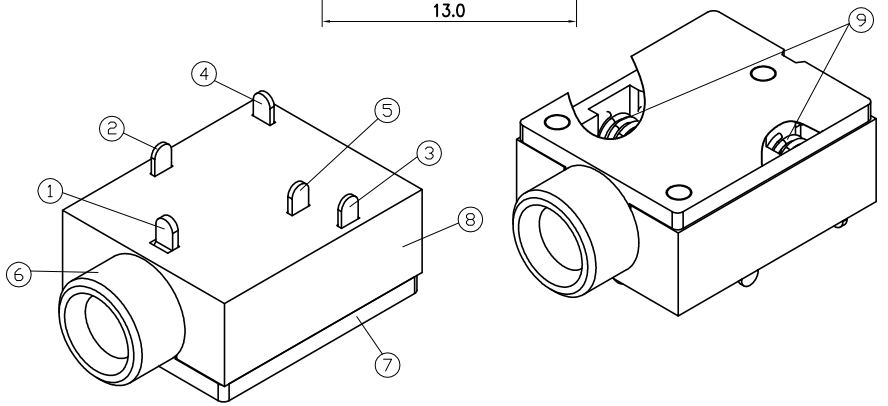
\*: INDICATES THE KEY DIMENSIONS [ "\*" 為重點尺寸 ]



T:1.2 Dimensions of PC board holes  
Tolerance : ±0.1(top view)



Ø3.5-(3)MATEING PLUG-REF



| SCHEMATIC     |               |               |               |               |
|---------------|---------------|---------------|---------------|---------------|
| 2SJ-W035-134A | 2SJ-W035-134B | 2SJ-W035-134C | 2SJ-W035-134D | 2SJ-W035-134E |
|               |               |               |               |               |

- Notes:
- Electrical Characteristics:
    - Rating : DC 30V 0.5 A ;
    - Contact Resistance: 30mΩ Max.(Initial),  
Between plug and contact 100mΩ Max;  
(Final) After Life test: ≤60mΩ ;
    - Dielectric Withstanding Voltage: 500V AC for One Minute ;
    - Insulation Resistance: 100MΩ Min. Measured By 500 VDC;
  - Mechanical Characteristics:
    - Plug Insertion Force 0.3~3.0Kgf (initial),  
0.3~3.0Kgf (Final) life test;
    - Plug Extraction Force: 0.3~3.0Kgf (initial),  
0.3~3.0Kgf (Final) life test;
  - Durability Test: 5,000 Cycles min;
  - Operating temperature:-25°C ~ +70°C;
  - Soldering Heat Resistance IR Reflow soldering 260°C ;
  - Plug Interface Dimensions Conform To EIAJ RC-5325A Spec;
  - Packaging: Tape Reel;

LEAD FREE

| 9   | SPRING         | 2   | SWC               | Ni      | PLATED          |
|-----|----------------|-----|-------------------|---------|-----------------|
| 8   | HOUSING        | 1   | PA9T              | UL-94V0 | BLACK           |
| 7   | COVER          | 1   | PA9T              | UL-94V0 | BLACK           |
| 6   | AXIS SUPPORT   | 1   | H59(COPPER ALLOY) | Ni      | PLATED          |
| 5   | SHUNT TERMINAL | 1   | C2680             | t=0.35  | MB:Ni Sn PLATED |
| 4   | SHUNT TERMINAL | 1   | C2680             | t=0.35  | MB:Ni Sn PLATED |
| 3   | RING SPRING    | 1   | C5191             | t=0.25  | MB:Ni Sn PLATED |
| 2   | TIP SPRING     | 1   | C5191             | t=0.25  | MB:Ni Sn PLATED |
| 1   | EARTH TERMINAL | 1   | C2680             | t=0.45  | MB:Ni Sn PLATED |
| LTR | PART NAME      | QTY | MATERIAL          | REMARK  |                 |

|                            |           |                                |                |                        |              |
|----------------------------|-----------|--------------------------------|----------------|------------------------|--------------|
| -TOLERANCES-               |           | Singatron Enterprise Co., Ltd. |                |                        |              |
| UNLESS OTHERWISE SPECIFIED |           |                                |                |                        |              |
| 公差                         |           | TITLE                          | MINIATURE JACK |                        |              |
| X.X ±0.30                  | X.X' ±3'  | DWN                            | H.RP           | PART NO. 2SJ-W035-134x |              |
| X.XX ±0.25                 | X.XX' ±1' | CHKD                           | 2013.09.25     | SCALE 1:1              | UNIT: mm     |
| X.XXX ±0.20                |           | APVD                           | GAOWEI         | SIZE: A3               | SHEET:1 OF 1 |
|                            |           | REV: D                         |                |                        |              |
| CUSTOMER COPY              |           |                                |                |                        |              |