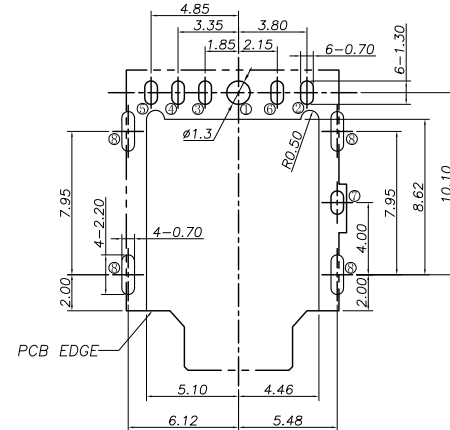
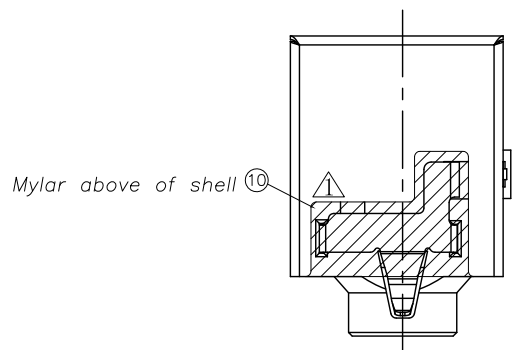


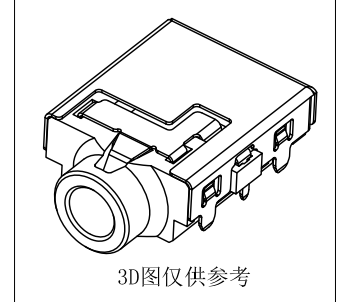
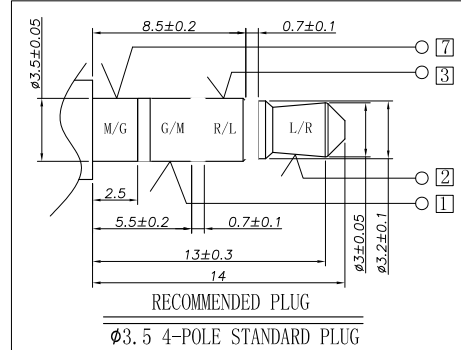
1 2 3 4 5 6 7 8

\* REVISIONS

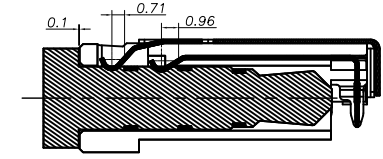
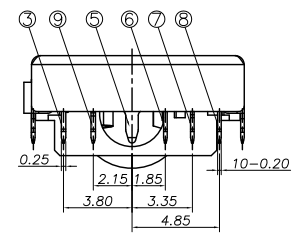
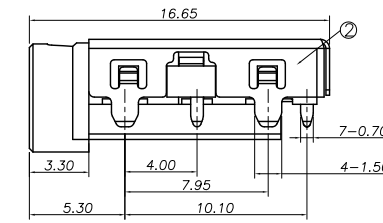
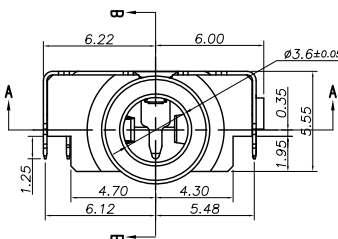
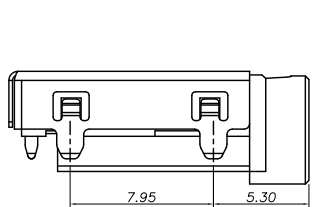
LTR	DESCRIPTION	DATE	REVISED	APPROVED
①	更正Mylar贴法方式	2014. 10. 15	H. RP	GAOWEI
②	喷码由6码变喷8码	2016. 04. 06	H. RP	GAOWEI



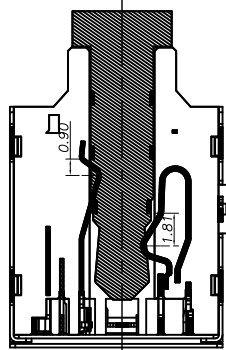
T:1.6 Dimensions of PC board holes  
Tolerance : ±0.1(Printed-Top view)



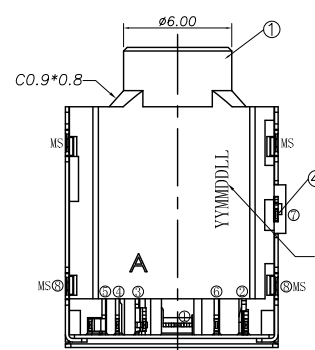
3D图仅供参考



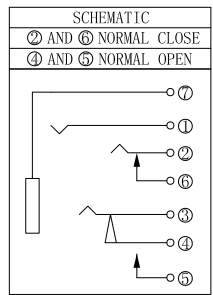
SECTION B-B



SECTION A-A



DATE CODE:  
YY:YEAR(16~xx)  
MM:MONTH(01~12)  
DD:DAY(01~31)  
LL:LINE(01~xx)



LEADFREE

10	Mylar	1			
9	Shunt terminal	1	C2680R-H	t=0.20	MB:Ni 50u" Matte Sn 80u" PLATED
8	B-terminal	1	C5210R-EH	t=0.20	MB:Ni 50u" Matte Sn 80u" PLATED
7	T-terminal	1	C5210R-EH	t=0.20	MB:Ni 50u" Matte Sn 80u" PLATED
6	Ring spring	1	C5210R-EH	t=0.20	MB:Ni 50u" Au 1u"+Matte Sn 80u"
5	Earth spring A	1	C5210R-EH	t=0.20	MB:Ni 50u" Au 1u"+Matte Sn 80u"
4	Earth spring B	1	C5210R-EH	t=0.20	MB:Ni 50u" Au 1u"+Matte Sn 80u"
3	Tip spring	1	C5210R-EH	t=0.25	MB:Ni 50u" Au 1u"+Matte Sn 80u"
2	Shell	1	C2680-H	t=0.20	MB:Ni 50u" PLATED
1	Housing	1	PPA		UL-94V0 BLACK
LTR	PART NAME	QTY	MATERIAL		REMARK

UNLESS OTHERWISE SPECIFIED, TOLERANCE ON DECIMAL: ±0.3

Singatron Enterprise Co., Ltd.

TITLE	MINIATURE JACK		
DWN	H.RP 2014.01.22	PART NO. 2SJ-W035-140	
CHKD	GAOWEI 2014.01.22	SCALE 1:1	UNIT: mm
APVD	GAOWEI 2014.01.22	SIZE: A3	SHEET: 1 OF 1 REV:003

CUSTOMER COPY