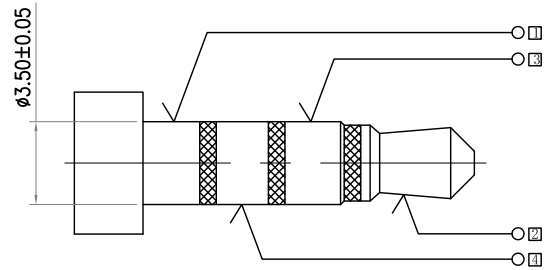
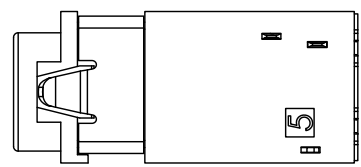
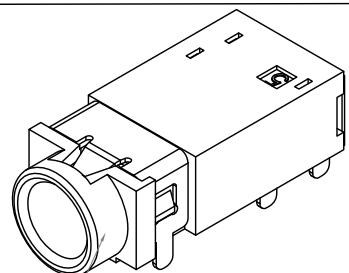
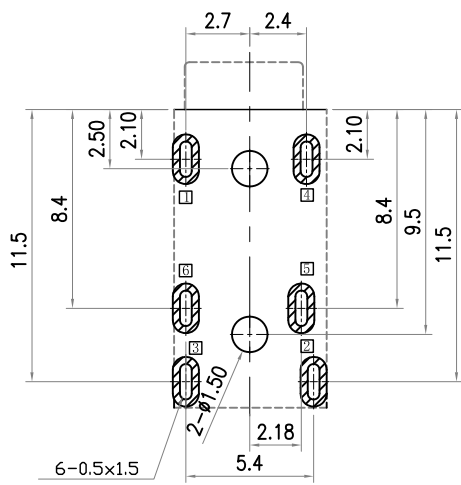


\*: INDICATES THE KEY DIMENSIONS [\*為重點尺寸]

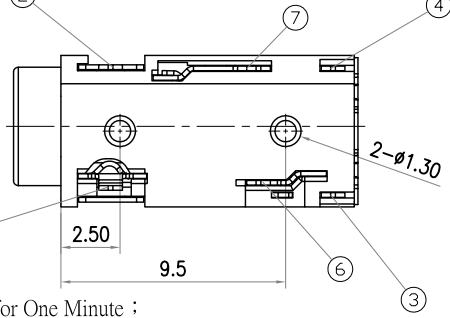
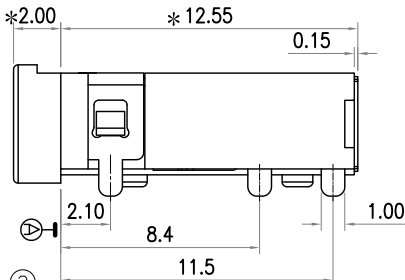
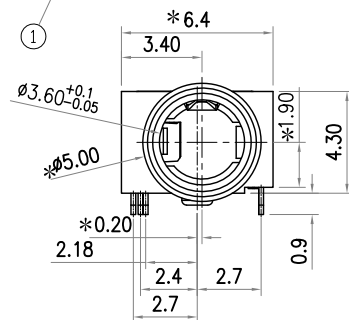
* REVISIONS				
LTR	DESCRIPTION	DATE	REVISED	APPROVED



Matching Plug



Recommend of PC Board Holes  
Tolerance : ±0.05(Printed-Top view)



Model No.	2SJ-W035-145A	2SJ-W035-145B	2SJ-W035-145C	2SJ-W035-145D	2SJ-W035-145E	2SJ-W035-145F
Schematic code						

Notes:

- Electrical Characteristics:
  - Rating : DC 30V 0.5 A ;
  - Contact Resistance: 50mΩ Max.(Initial), 100mΩ Max.(Final) After test: ≤50mΩ ;
  - Dielectric Withstanding Voltage: 500V AC for One Minute ;
  - Insulation Resistance: 100MΩ Min. Measured By 500 VDC;
- Mechanical Characteristics:
  - Plug Insertion Force 0.3~3.0Kgf (initial), 0.3~3.0Kgf (Final) life test;
  - Plug Extraction Force: 0.3~3.0Kgf (initial), 0.3~3.0Kgf (Final) life test;
- Durability Test: 5,000 Cycles min;
- Operating temperature:-25°C ~ +70°C;
- Soldering Heat Resistance Wave soldering 230°C (Support) or IR Reflow Soldering 255±5°C;
- Plug Interface Dimensions Conform To EIAJ RC-5325A Spec;
- Packaging:Tape Reel.;

LEAD FREE

8	SHIELD	1	SUS 301	t=0.15	N/A
7	SHUNT TERMINAL	1	C5191	t=0.20	MB:Ni Gold Flash
6	SHUNT TERMINAL	1	C5191	t=0.20	MB:Ni Gold Flash
5	RING SPRING	1	C5191	t=0.20	MB:Ni Gold Flash
4	RING SPRING	1	C5191	t=0.20	MB:Ni Gold Flash
3	TIP SPRING	1	BeCu	t=0.20	MB:Ni Gold Flash
2	EARTH SPRING	1	C5191	t=0.20	MB:Ni Gold Flash
1	HOUSING	1	PA9T		UL-94V0 BLACK
LTR	PART NAME	QTY	MATERIAL	REMARK	

-TOLERANCES- UNLESS OTHERWISE SPECIFIED 公差		Singatron Enterprise Co., Ltd.			
		TITLE	MINIATURE JACK		
X.X ±0.30	X.X' ±3'	DWN	H. RP 2014. 02. 21	PART NO. 2SJ-W035-145	
X.XX ±0.20	X.XX' ±1'	CHKD	FAOWE1 2014. 02. 21	SCALE 1:1	UNIT: mm
X.XXX ±0.15		APVD	FAOWE1 2014. 02. 21	SIZE: A3	SHEET:1 OF 1 REV: A
<b>CUSTOMER COPY</b>					