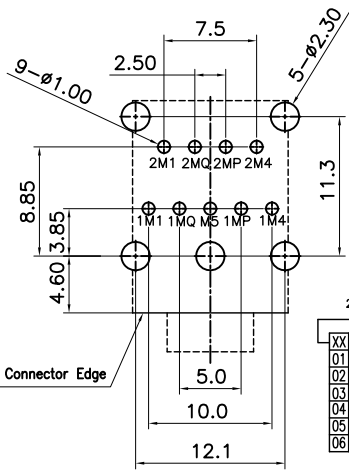
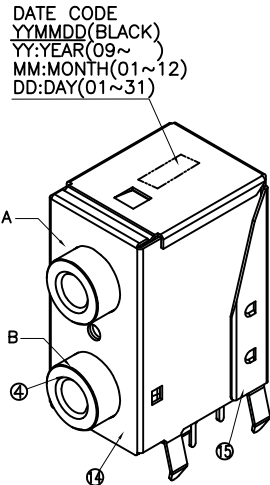
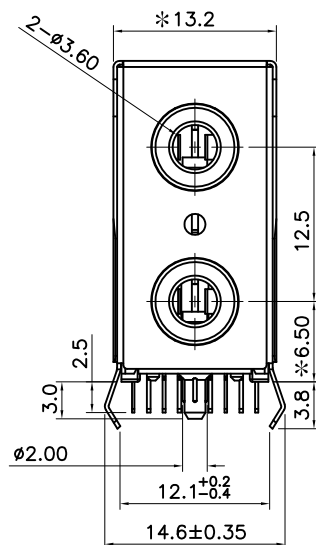
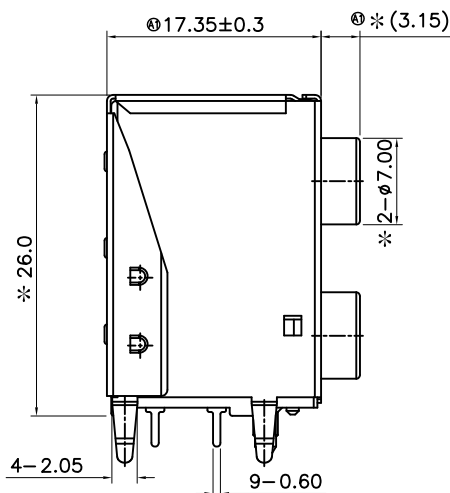


** : INDICATES THE KEY DIMENSIONS ["*" 為重點尺寸]

* REVISIONS				
LTR	DESCRIPTION	DATE	REVISED	APPROVED
A1	修改尺寸, 更新圖面	2021.03.05	LUJIAO	GAOWEI

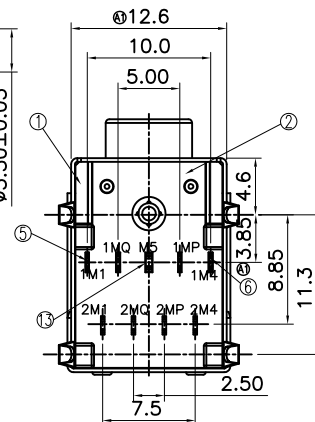
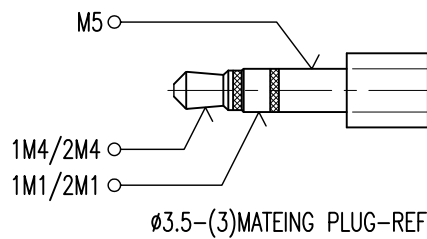
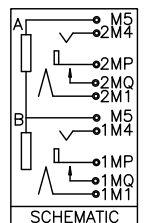
F
E
D
C
B
A



ORDER INFORMATION:
2SJ-W035-146A-XX

Table:

XX	RING COLOR(A,B)
01	A(BLACK) B(BLACK)
02	A(BLUE#284C) B(LIME#577C)
03	A(LIME#577C) B(BLUE#284C)
04	A(LIME#577C) B(PINK#701C)
05	A(PINK#701C) B(LIME#577C)
06	A(PINK#701C) B(BLACK)



- Notes:
- Electrical Characteristics:
 - Rating : DC 30V 0.5 A ;
 - Contact Resistance: 50mΩ Max.(Initial), 100mΩ Max.(Final) After test: ≤50mΩ ;
 - Dielectric Withstanding Voltage: 500V AC for One Minute ;
 - Insulation Resistance: 100MΩ Min. Measured By 500 VDC;
 - Mechanical Characteristics:
 - Plug Insertion Force 0.3~3.0Kgf (initial), 0.3~3.0Kgf (Final) life test;
 - Plug Extraction Force: 0.3~3.0Kgf (initial), 0.3~3.0Kgf (Final) life test;
 - Durability Test: 5,000 Cycles min;
 - Operating temperature:-25°C ~ +70°C;
 - Soldering Heat Resistance IR Reflow Soldering 260°C;
 - Plug Interface Dimensions Conform To EIAJ RC-5325A Spec;
 - Packaging: Plastic Tray;

HALOGEN FREE

Recommend of PC Board Holes
Tolerance : ±0.05(Top view)

15	C2_BACK SHIELD	1	C2680R-1/2H	Ni 50u" PLATED
14	C1_FRONT SHIELD	1	C2680R-1/2H	Ni 50u" PLATED
13	BRIDGE	4	C2680R-EH	MB:Ni50u" Sn80u" PLATED
12	M5_GND CONTACT	1	C2680R-EH	MB:Ni50u" Sn80u" PLATED
11	2MP_OS CONTACT	1	C5191R-EH	MB:Ni50u" Sn80u" PLATED
10	2MQ_ON CONTACT	1	C5191R-EH	MB:Ni50u" Sn80u" PLATED
9	2M4_TIP CONTACT	1	C5191R-EH	MB:Ni50u" Sn80u" PLATED
8	2M1_RING CONTACT	1	C5191R-EH	MB:Ni50u" Sn80u" PLATED
7	1MP_OS CONTACT	1	C5191R-EH	MB:Ni50u" Sn80u" PLATED
6	1MQ_ON CONTACT	1	C5191R-EH	MB:Ni50u" Sn80u" PLATED
5	1M4_TIP CONTACT	1	C5191R-EH	MB:Ni50u" Sn80u" PLATED
4	1M1_RING CONTACT	1	C5191R-EH	MB:Ni50u" Sn80u" PLATED
3	RING(A,B)	2	PA9T	UL-94V0 See table
2	COVER	1	PA9T	UL-94V0 BLACK
1	HOUSING	1	PA9T	UL-94V0 BLACK

LTR	PART NAME	QTY	MATERIAL	REMARK

-TOLERANCES-
UNLESS OTHERWISE SPECIFIED
公差

X.X	±0.30	X.X'	±3'
X.XX	±0.20	X.XX'	±1'
X.XXX	±0.15		

Singatron Enterprise Co., Ltd.

TITLE	MINIATURE JACK			
DWN	H.RP	PART NO.	2SJ-W035-146AF-	
CHKD	2014.06.12	SCALE 1:1	UNIT: mm	⊕
APVD	GAOWEI	SIZE: A3	SHEET: 1 OF 1	REV: 002

CUSTOMER COPY

A

A

1 2 3 4 5 6 7 8