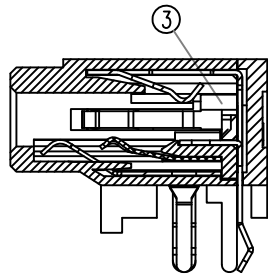
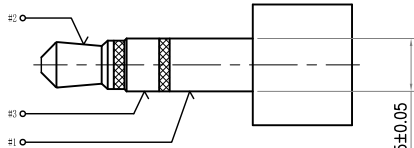
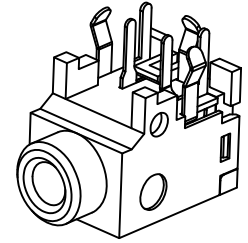
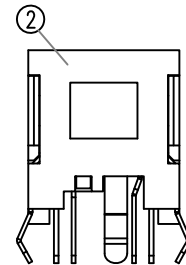
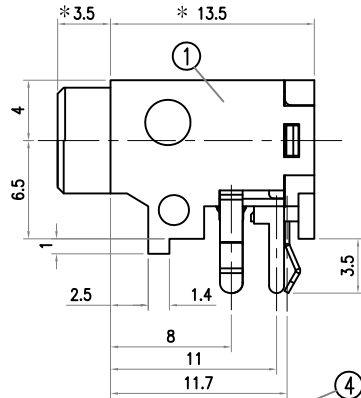
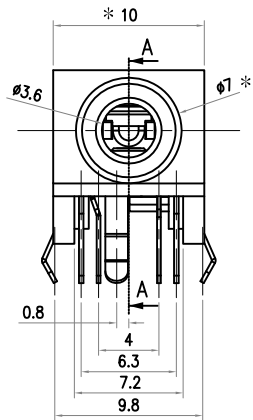


\*\* : INDICATES THE KEY DIMENSIONS [\*\*為重點尺寸]

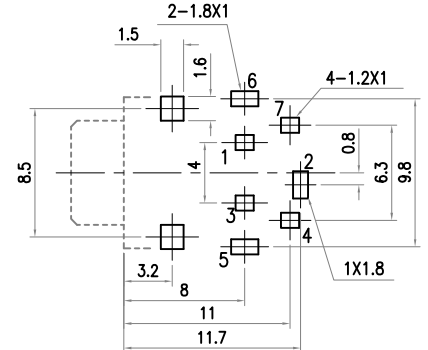
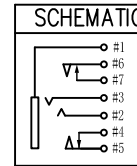
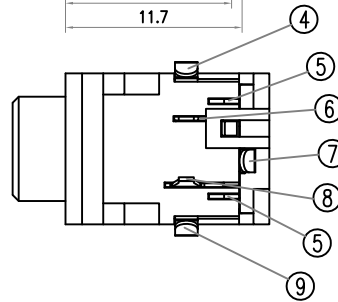
* REVISIONS				
LTR	DESCRIPTION	DATE	REVISED	APPROVED



SEC:A-A



Ø3.5-(3)MATEING PLUG-REF



Recommend of PC Board Holes  
Tolerance : ±0.05(Bottom view)

Notes:

- Electrical Characteristics:
  - Rating : DC 30V 0.5 A ;
  - Contact Resistance: 30mΩ Max.(Initial),  
Between plug and contact 100mΩ Max;  
(Final) After Life test: ≤60mΩ ;
  - Dielectric Withstanding Voltage: 500V AC for One Minute ;
  - Insulation Resistance: 100MΩ Min. Measured By 500 VDC;
- Mechanical Characteristics:
  - Plug Insertion Force 0.3~3.0Kgf (initial),  
0.3~3.0Kgf (Final) life test;
  - Plug Extraction Force: 0.3~3.0Kgf (initial),  
0.3~3.0Kgf (Final) life test;
- Durability Test: 5,000 Cycles min;
- Operating temperature:-25°C ~ +70°C;
- Soldering Heat Resistance Wave Soldering 230°C;
- Plug Interface Dimensions Conform To EIAJ RC-5325A Spec;
- Packaging:Tray;

9	TRANSFER TERMINAL	1	C5210	t=0.25	MB:Cu	Ag	PLATED
8	RING SPRING	1	C5210	t=0.25	MB:Cu	Ag	PLATED
7	TIP SPRING	1	C5191	t=0.20	MB:Cu	Ag	PLATED
6	EARTH SPRING	1	C5210	t=0.25	MB:Cu	Ag	PLATED
5	BREAK TERMINAL	1	SPCC	t=0.3	MB:Cu	Ag	PLATED
4	TRANSFER TERMINAL	1	C5210	t=0.25	MB:Cu	Ag	PLATED
3	INSULATOR	1	POM		UL94HB		
2	COVER	1	PBT		UL94V-0		BLACK
1	HOUSING	1	PBT		UL94V-0		BLACK

LTR	PART NAME	QTY	MATERIAL	REMARK
-TOLERANCES- UNLESS OTHERWISE SPECIFIED 公差				
Singatron Enterprise Co., Ltd.				
TITLE MINIATURE JACK				
X.X	±0.30	X.X' ±3'	DWN	UJIAO 2016.08.22 PART NO. 2SJ-W035-14A
X.XX	±0.25	X.XX' ±1'	CHKD	H.RP 2016.08.22 SCALE 1:1 UNIT: mm
X.XXX	±0.20		APVD	GAOWEI 2016.08.22 SIZE: A3 SHEET:1 OF 1 REV: 001
CUSTOMER COPY				

LEAD FREE