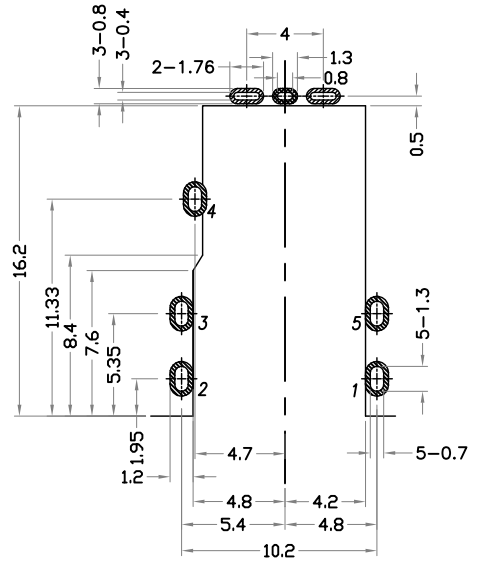
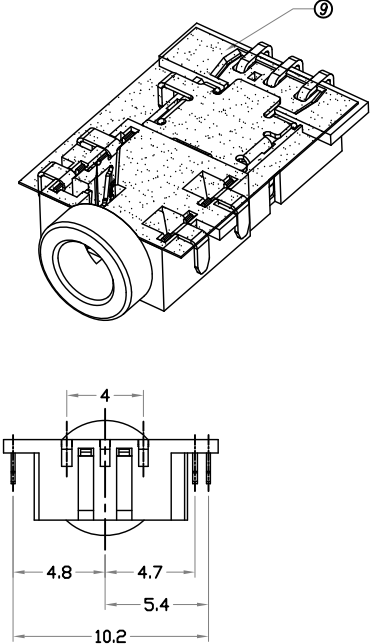
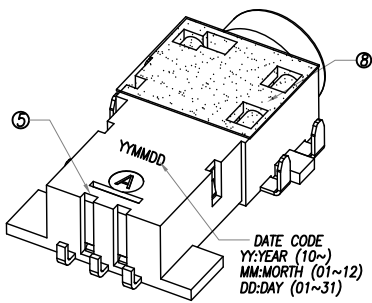
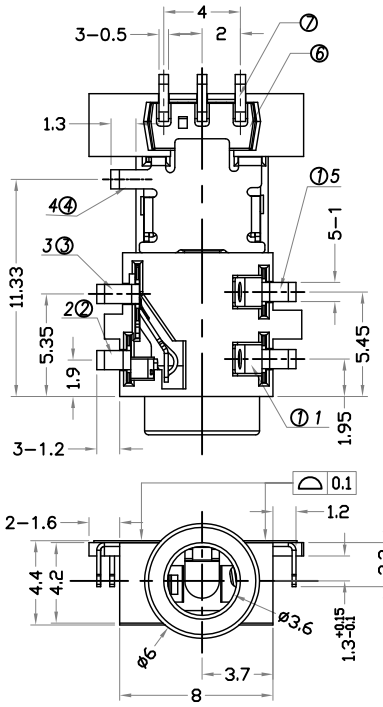


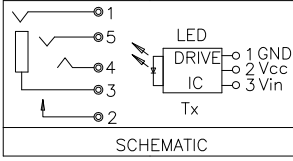
* REVISIONS				
LTR	DESCRIPTION	DATE	REVISED	APPROVED



T:1.6 Dimensions of PC board holes
Tolerance : ±0.05(Printed-Top view)

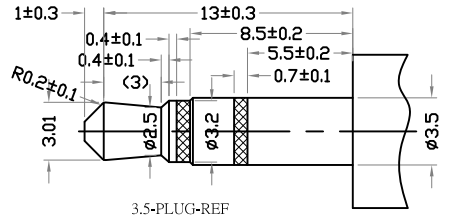
SPECIFICATIONS:

- ELECTRICAL CHARACTERISTICS:**
 - 1-1. RATING: 20V, 1A Min.
 - 1-2. CONTACT RESISTANCE: 50 MILLIOHMS Max. FOR INITIAL, 80 MILLIOHMS Max. AFTER 5000 CYCLES.
 - 1-3. INSULATION RESISTANCE: 100 MEGAOHMS Min. BY 500V DC AFTER 1 MINUTE.
 - 1-4. DIELECTRIC WITHSTANDING VOLTAGE: 500V RMS AFTER 1 MINUTE.
- MECHANICAL CHARACTERISTICS:**
 - 2-1. INSERTION FORCE : 0.3~3.0 KGF(2.94~29.4N)
 - 2-2. WITHDRAWAL FORCE : 0.3~3.0 KGF(2.94~29.4N)
- LIFE TEST: 5,000 CYCLES MIN.**



HALOGEN FREE

LTR	PART NAME	QTY	MATERIAL	REMARK
9	MYLAR 2	1	(T=0.1)	AMBER
8	MYLAR 1	1	(T=0.1)	AMBER
7	DRIVE IC	1	(TX)	N/A
6	COVER	1	PA10T	UL-94V0 BLACK
5	HOUSING	1	PA10T	UL-94V0 BLACK
4	TERMINAL 4#	1	C5191R-EH t=0.20	MB: Ni Gold Flash
3	TERMINAL 3#	1	C5191R-EH t=0.30	MB: Ni Gold Flash
2	TERMINAL 2#	1	C5191R-EH t=0.20	MB: Ni Gold Flash
1	TERMINAL 1#	2	C5191R-EH t=0.20	MB: Ni Gold Flash



3.5-PLUG-REF

-TOLERANCES-		Singatron Enterprise Co., Ltd.	
UNLESS OTHERWISE SPECIFIED		TITLE	
公差		MINIATURE JACK	
X ±0.3	X" ±5°	DWN	1.RP2016.06.15 PART NO. 2SJ-W035-150ZJAF-T
X.X ±0.25	X.X" ±3°	CHKD	2.AOWE12016.06.15 SCALE 1:1 UNIT: mm
X.XX ±0.20		APVD	3.AOWE12016.06.15 SIZE: A3 SHEET:1 OF 1 REV:001
X.XXX ±0.10		CUSTOMER COPY	