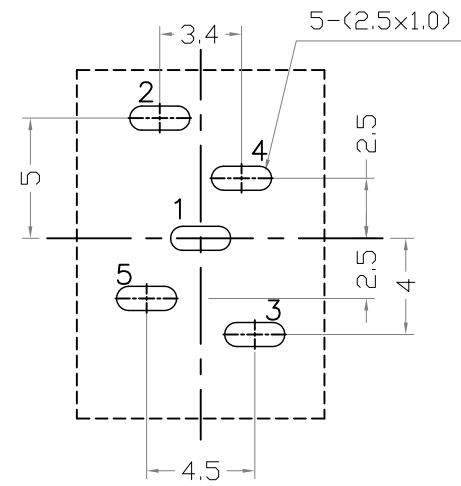
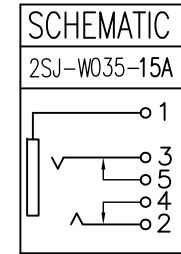


* REVISIONS				
LTR	DESCRIPTION	DATE	REVISED	APPROVED
A1	新图发行	2007. 11. 30	ANJOU	GIEVEN
A2	1.增加PLUG 2.增加公差表 3.调整图面整体合理布局	2016. 06. 28	H. RP	GAOWEI



T:1.6 Dimensions of PC board holes
Tolerance : ±0.1(Printed-Top view)



LEAD FREE

LTR	PART NAME	QTY	MATERIAL	REMARK
7	HOUSING	1	PBT 4815	UL-94V0
6	COVER	1	PBT 4815	UL-94V0
5	5# CONTACT FOOT	1	C2680 t=0.4	MB:Ni Ag PLATED
4	4# CONTACT FOOT	1	C2680 t=0.4	MB:Ni Ag PLATED
3	3# CONTACT FOOT	1	SUS301 t=0.3	MB:Ni Ag PLATED
2	2# CONTACT FOOT	1	C5191 t=0.3	MB:Ni Ag PLATED
1	1# CONTACT FOOT	1	C5191 t=0.5	MB:Ni Ag PLATED

-TOLERANCES-
UNLESS OTHERWISE SPECIFIED
公差

X	±0.3	X'	±5°
X.X	±0.25	X.X'	±3°
X.XX	±0.20		
X.XXX	±0.10		

UNLESS OTHERWISE SPECIFIED TOLERANCES

Singatron Enterprise Co., Ltd.

DECIMALS: X :±0.5 X.X :±0.3 X.XX :±0.2

ANGLES: X :±2° X.X :±1°

TITLE	MINIATURE JACK		
DWN	ANJOU 2007.11.30	PART NO. 2SJ-W035-15AB	
CHKD	ANJOU 2007.11.30	SCALE 1:1	UNIT: mm
APVD	GIEVEN 2007.11.30	SIZE: A3	SHEET:1 OF 1 REV:003

CUSTOMER COPY