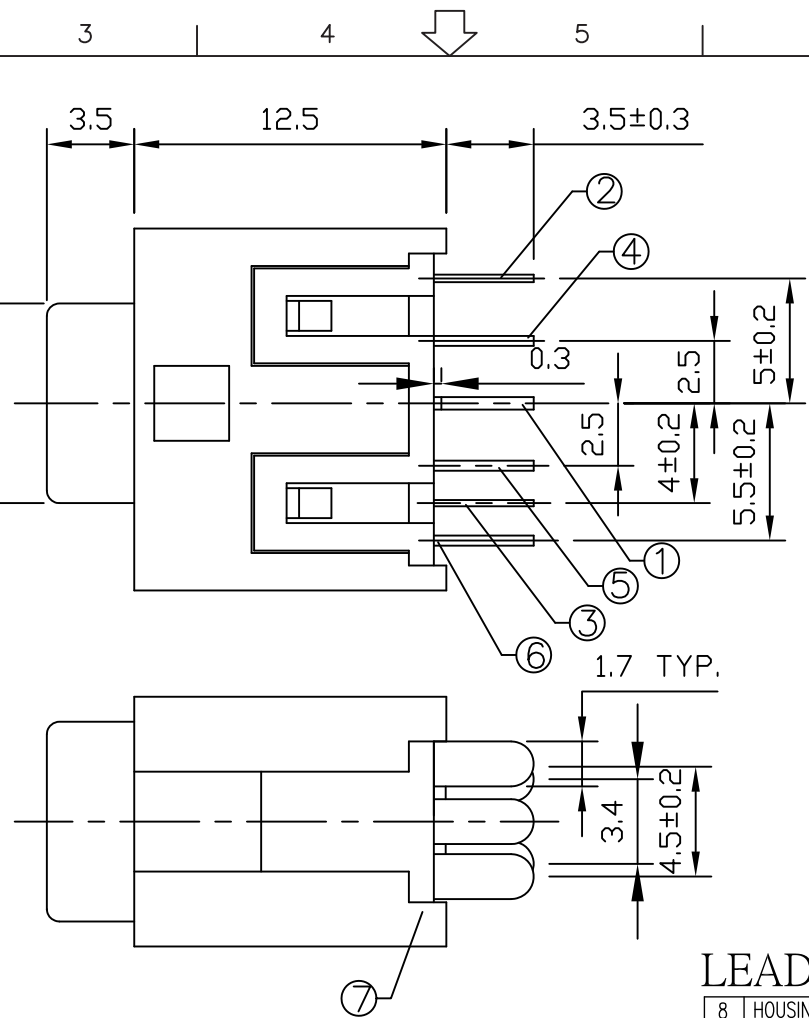


ø3.6

⑧

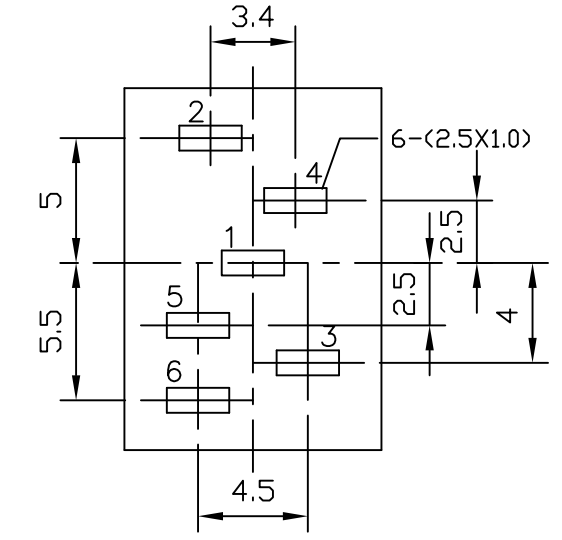
ø7.8



1.7 TYP.

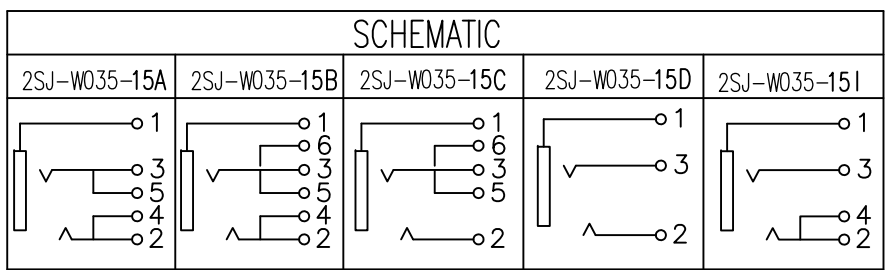
3.4

4.5±0.2



T:1.6 Dimensions of PC board holes
Tolerance : ±0.1(Printed-top view)

MODEL NO.	COLOR
2SJ-W035-15_01	GREEN
2SJ-W035-15_02	RED
2SJ-W035-15_03	BLUE
2SJ-W035-15_04	ORANGE



UNLESS OTHERWISE SPECIFIED, TOLERANCE ON DECIMAL: ±0.3

LEAD FREE

8	HOUSING	1	PBT 4815	UL-94V0
7	COVER	1	PBT 4815	UL-94V0
6	6# CONTACT FOOT	1	C5191 t=0.2	MB:Cu Ag PLATED
5	5# CONTACT FOOT	1	C2680 t=0.4	MB:Cu Ag PLATED
4	4# CONTACT FOOT	1	C2680 t=0.4	MB:Cu Ag PLATED
3	3# CONTACT FOOT	1	SUS301 t=0.3	MB:Cu Ag PLATED
2	2# CONTACT FOOT	1	C5191 t=0.3	MB:Cu Ag PLATED
1	1# CONTACT FOOT	1	C5191 t=0.5	MB:Cu Ag PLATED

LTR	PART NAME	QTY	MATERIAL	REMARK										
UNLESS OTHERWISE SPECIFIED TOLERANCES														
Singatron Enterprise Co., Ltd.														
DECIMALS:		ANGLES:		TITLE										
X :±0.5		X :±2°		DWN ANJOU 2007.11.30										
X.X :±0.3		X.X :±1°		CHKD ANJOU 2007.11.30										
X.XX :±0.2				APVD GIEVEN 2007.11.30										
			<table border="1"> <tr> <td colspan="2">MINIATURE JACK</td> </tr> <tr> <td colspan="2">PART NO. 2SJ-W035-15</td> </tr> <tr> <td>SCALE 1:1</td> <td>UNIT: mm</td> </tr> <tr> <td>SIZE: A3</td> <td>SHEET:1 OF 1</td> </tr> <tr> <td colspan="2">REV:002</td> </tr> </table>		MINIATURE JACK		PART NO. 2SJ-W035-15		SCALE 1:1	UNIT: mm	SIZE: A3	SHEET:1 OF 1	REV:002	
MINIATURE JACK														
PART NO. 2SJ-W035-15														
SCALE 1:1	UNIT: mm													
SIZE: A3	SHEET:1 OF 1													
REV:002														
CUSTOMER COPY														