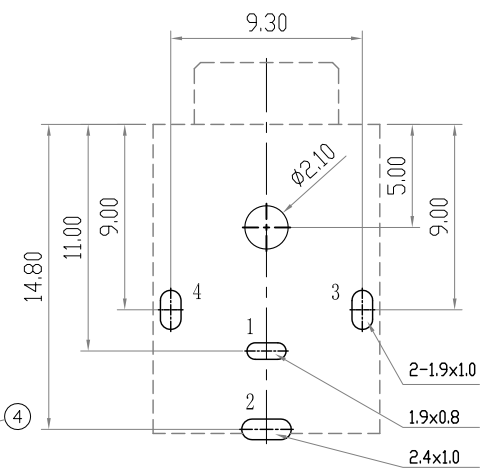
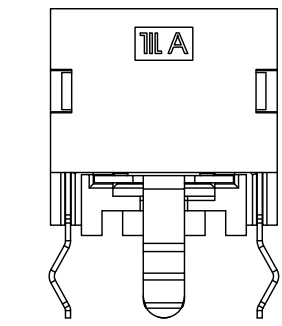
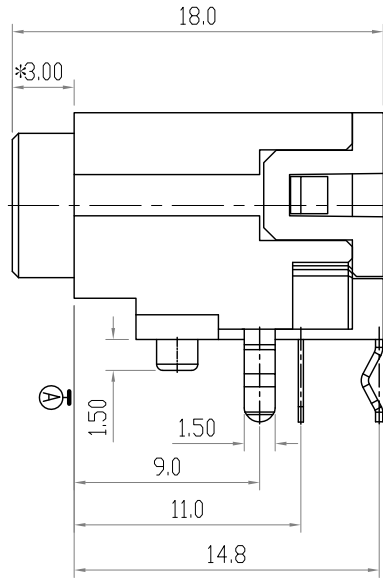
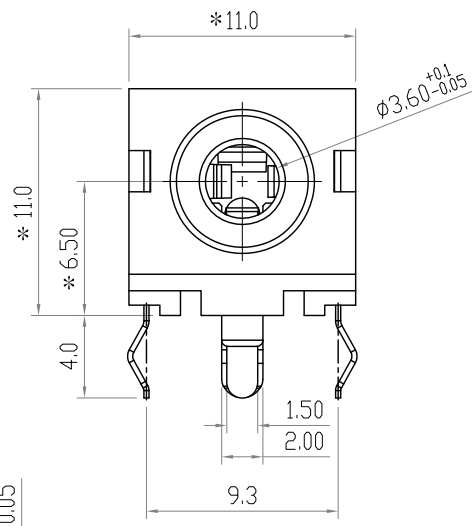
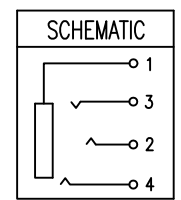
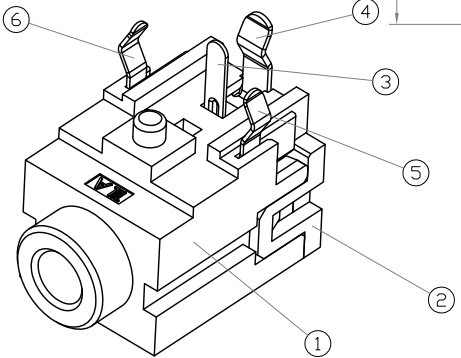


: INDICATES THE KEY DIMENSIONS [“”為重點尺寸]

* REVISIONS			
LTR	DESCRIPTION	DATE	APPROVED

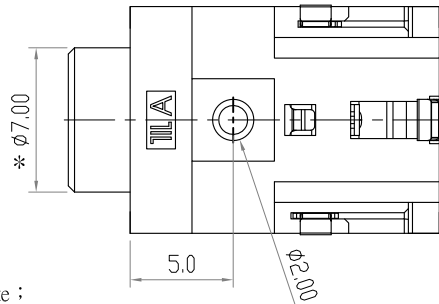


Recommend of PC Board Holes
Tolerance : ±0.05(Top view)



LEAD FREE

- Notes:
- Electrical Characteristics:
 - Rating : DC 30V 0.5 A ;
 - Contact Resistance: 50mΩ Max.(Initial), 100mΩ Max.(Final) After test: ≤50mΩ ;
 - Dielectric Withstanding Voltage: 500V AC for One Minute ;
 - Insulation Resistance: 100MΩ Min. Measured By 500 VDC;
 - Mechanical Characteristics:
 - Plug Insertion Force 0.3~3.0Kgf (initial), 0.3~3.0Kgf (Final) life test;
 - Plug Extraction Force: 0.3~3.0Kgf (initial), 0.3~3.0Kgf (Final) life test;
 - Durability Test: 5,000 Cycles min;
 - Operating temperature:-25°C ~ +70°C;
 - Soldering Heat Resistance Wave Soldering 230°C;
 - Plug Interface Dimensions Conform To EIAJ RC-5325A Spec;
 - Packaging:Plastic Tray;



6	RING SPRING-B	1	C5210	t=0.25	MB:Ni	Ag	PLATED
5	RING SPRING-A	1	C5210	t=0.25	MB:Ni	Ag	PLATED
4	TIP SPRING	1	C5191	t=0.35	MB:Ni	Ag	PLATED
3	EARTH SPRING	1	C5210	t=0.25	MB:Ni	Ag	PLATED
2	COVER	1	PBT				BLACK
1	HOUSING	1	PBT				BLACK
LTR	PART NAME	QTY	MATERIAL	REMARK			

-TOLERANCES- UNLESS OTHERWISE SPECIFIED 公差		Singatron Enterprise Co., Ltd.			
X.X	±0.30	X.X'	±3'	TITLE	
X.XX	±0.25	X.XX'	±1'	MINIATURE JACK	
X.XXX	±0.20			DWN 1.RP 2017.09.26 PART NO. 2SJ-W035-16AB	
				CHKD GAOWEI 2017.09.26	SCALE 1:1 UNIT: mm
				APVD GAOWEI 2017.09.26	SIZE: A3 SHEET:1 OF 1 REV:001
CUSTOMER COPY					