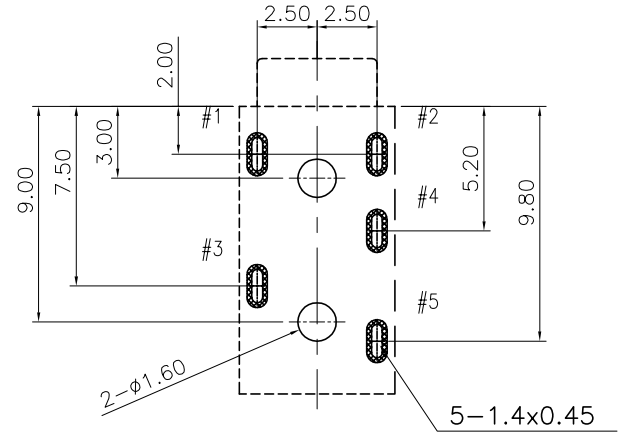
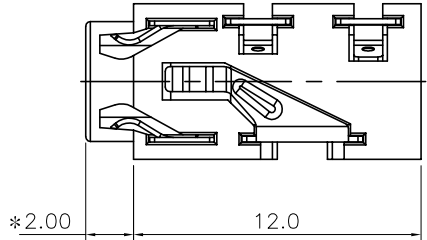
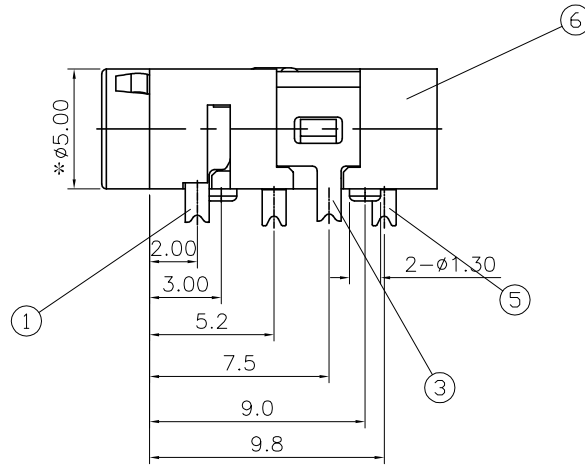
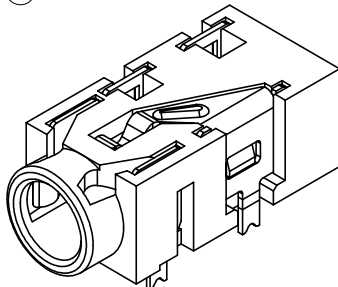
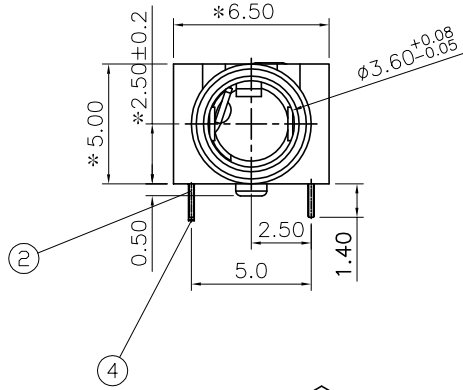
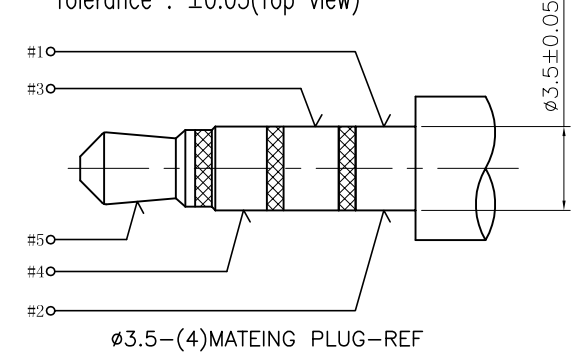


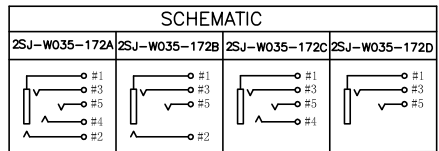
\*: INDICATES THE KEY DIMENSIONS [\*为重點尺寸]



Recommend of PC Board Holes  
Tolerance : ±0.05(Top view)



- Notes:
- Electrical Characteristics:
    - 1-1. Rating : DC 30V 0.5 A ;
    - 1-2. Contact Resistance: 30mΩ Max.(Initial),  
Between plug and contact 100mΩ Max;  
(Final) After Life test : ≤60mΩ ;
    - 1-3. Dielectric Withstanding Voltage: 500V AC for One Minute ;
    - 1-4. Insulation Resistance: 100MΩ Min. Measured By 500 VDC;
  - Mechanical Characteristics:
    - 2-1. Plug Insertion Force : 0.3~3.0Kgf (initial),  
0.3~3.0Kgf (Final) life test;
    - 2-2. Plug Extraction Force: 0.3~3.0Kgf (initial),  
0.3~3.0Kgf (Final) life test;
  - Durability Test: 5,000 Cycles min;
  - Operating temperature: -25°C ~ +70°C;
  - Soldering Heat Resistance IR Reflow Soldering 260°C;
  - Plug Interface Dimensions Conform To EIAJ RC-5325A Spec;
  - Packaging: XXXXXXXX;



6	HOUSING	1	PA9T	UL94V-0	BLACK
5	TIP SPRING	1	SUS301-H t=0.20	MB: Ni	Ag PLATED
4	RING SPRING-B	1	SUS301-H t=0.20	MB: Ni	Ag PLATED
3	RING SPRING-A	1	C5210R-EH t=0.25	MB: Ni	Ag PLATED
2	GROUND SPRING-B	1	C5210R-EH t=0.20	MB: Ni	Ag PLATED
1	GROUND SPRING-A	1	C5210R-EH t=0.20	MB: Ni	Ag PLATED
LTR	PART NAME	QTY	MATERIAL	REMARK	

-TOLERANCES- UNLESS OTHERWISE SPECIFIED 公差		Singatron Enterprise Co., Ltd.			
		TITLE: MINIATURE JACK			
		DWN: H.RP PART NO. 2SJ-W035-172-			
		CHKD: 2018.03.07 SCALE 1:1 UNIT: mm			
		APVD: GAOWEI SIZE: A3 SHEET: 1 OF 1 REV: A			
		X.XXX ±0.20 CUSTOMER COPY			

LEAD FREE