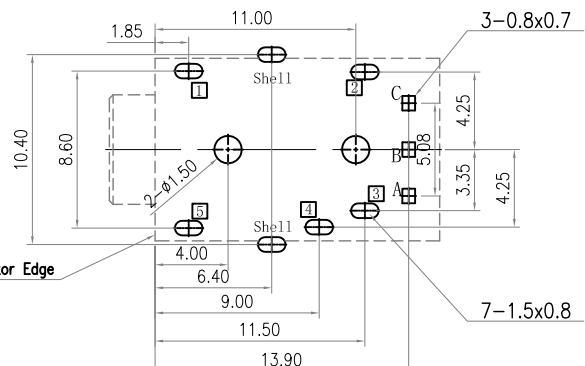
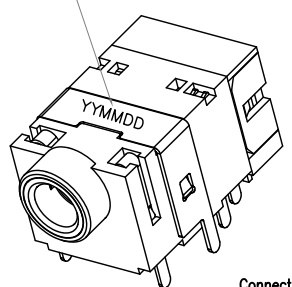
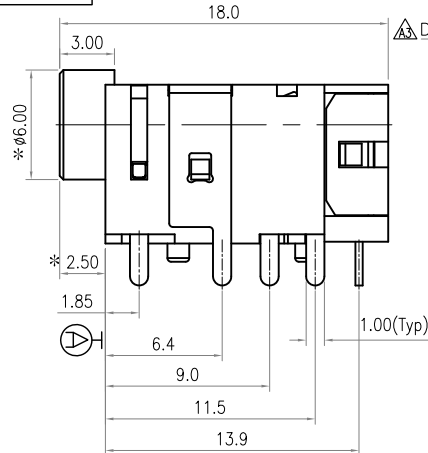
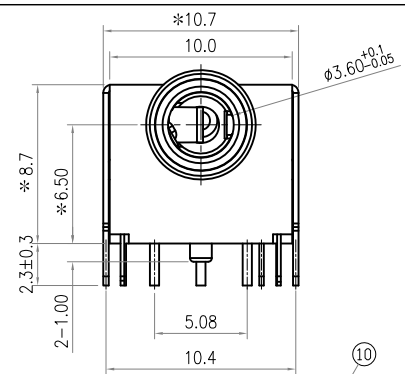
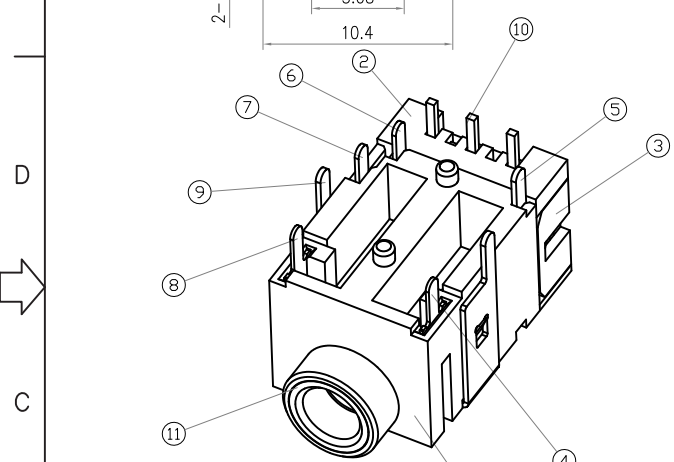
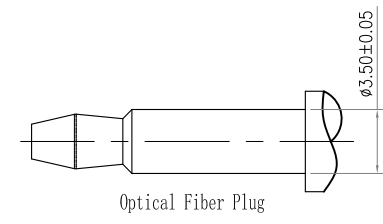
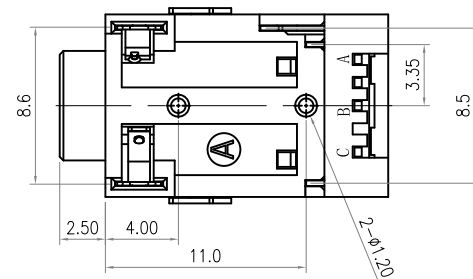
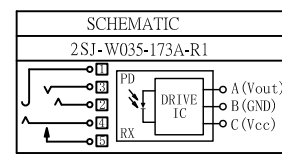
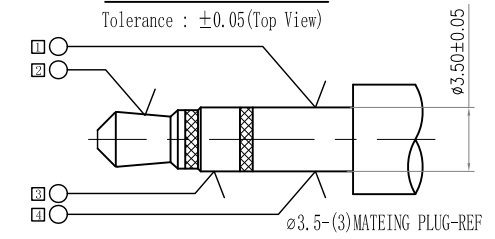


*: INDICATES THE KEY DIMENSIONS [*为重點尺寸]



Recommend of PC Board Holes
Tolerance : ±0.05(Top View)



- Notes:
- Electrical Characteristics:
 - 1-1.Rating : DC 30V 0.5 A ;
 - 1-2.Contact Resistance: 50mΩ Max.(Initial),
Between plug and contact 100mΩ Max;
(Final) After Life test: ≤60mΩ ;
 - 1-3.Dielectric Withstanding Voltage: 500V AC for One Minute ;
 - 1-4. Insulation Resistance: 100MΩ Min. Measured By 500 VDC;
 - Mechanical Characteristics:
 - 2-1. Plug Insertion Force 0.3~3.0Kgf (initial),
0.3~3.0Kgf (Final) life test;
 - 2-2. Plug Extraction Force: 0.3~3.0Kgf (initial),
0.3~3.0Kgf (Final) life test;
 - Durability Test: 5,000 Cycles min;
 - Operating temperature:-25°C ~ +70°C;
 - Soldering Heat Resistance Reflow Soldering 260°C; ▲
 - Plug Interface Dimensions Conform To EIAJ RC-5325A Spec;
 - Packaging:Tray;

| * REVISIONS | | | | |
|-------------|----------------------|------------|---------|----------|
| LTR | DESCRIPTION | DATE | REVISED | APPROVED |
| A2 | 更正电镀规格与塑胶材质 | 2018.01.30 | H. RP | GAOWEI |
| A3 | 客人要求增加DC喷码 | 2018.12.05 | H. RP | GAOWEI |
| A4 | 光纖改用艾迪森新IC料號DLR21E21 | 2019.03.12 | LUJIAO | H. RP |

LEAD FREE

| 11 | BUSING | 1 | COPPER ALLOY | MB:Ni Ag Plating ▲ |
|-----|-------------------|-----|------------------------|--------------------|
| 10 | DRIVE IC | 1 | DLR21E21 RX(25M) ▲ | |
| 9 | Shell | 1 | Brass t=0.30 | MB:Ni Ag Plating |
| 8 | Make terminal | 5 | Phosphor bronze t=0.25 | MB:Ni Gold Flash ▲ |
| 7 | Transfer terminal | 4 | Phosphor bronze t=0.25 | MB:Ni Gold Flash ▲ |
| 6 | Ring spring | 3 | Phosphor bronze t=0.25 | MB:Ni Gold Flash ▲ |
| 5 | Tip spring | 2 | Phosphor bronze t=0.30 | MB:Ni Gold Flash ▲ |
| 4 | Earth spring | 1 | Phosphor bronze t=0.25 | MB:Ni Gold Flash ▲ |
| 3 | COVER | 1 | PA9T ▲ | UL94V-0 BLACK |
| 2 | HOUSING (B) | 1 | PA9T ▲ | UL94V-0 BLACK |
| 1 | HOUSING (A) | 1 | PA9T ▲ | UL94V-0 BLACK |
| LTR | PART NAME | QTY | MATERIAL | REMARK |

| -TOLERANCES- | | Singatron Enterprise Co., Ltd. | | | |
|----------------------------|----------|--------------------------------|----------------------|---------------------------|----------------------|
| UNLESS OTHERWISE SPECIFIED | | TITLE | | | |
| 公差 | | ø3.5mm Audio Jack + SPIDF | | | |
| X.X ±0.30 | X.X' ±3' | DWN | H. RP 2016.06.15 | PART NO. 2SJ-W035-173A-R1 | |
| X.XX ±0.25 | X.X' ±1' | CHKD | GAOWEI 2016.06.15 | SCALE 1:1 | UNIT: mm |
| X.XXX ±0.20 | | APVD | GAOWEI 2016.06.15 | SIZE: A3 | SHEET:1 OF 1 REV: A4 |
| CUSTOMER COPY | | | | | |