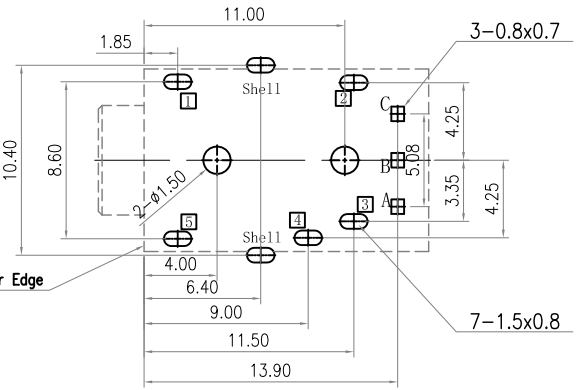
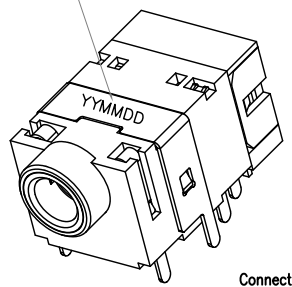
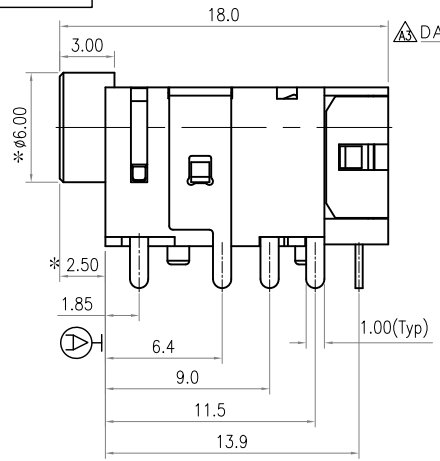
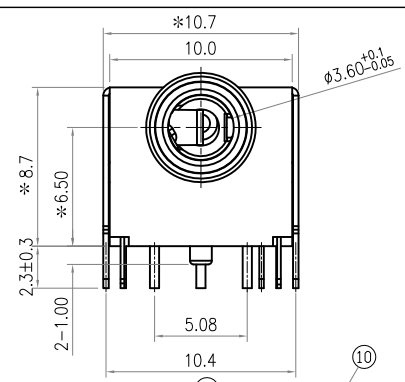
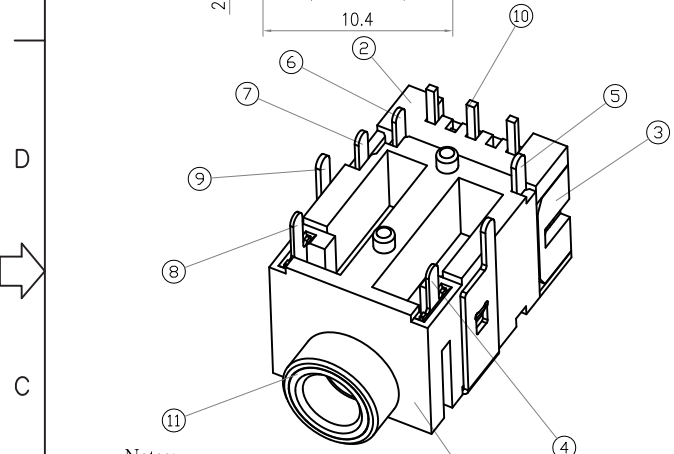
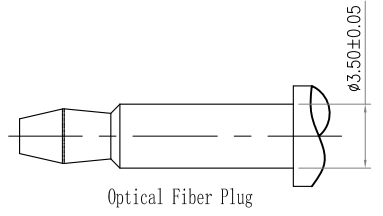
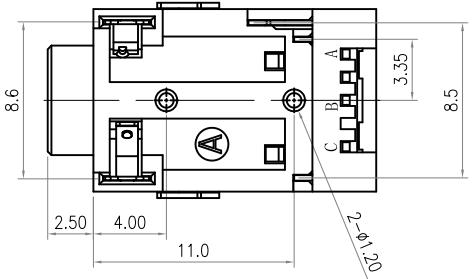
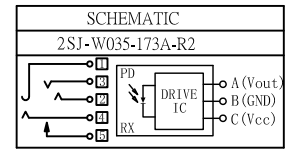
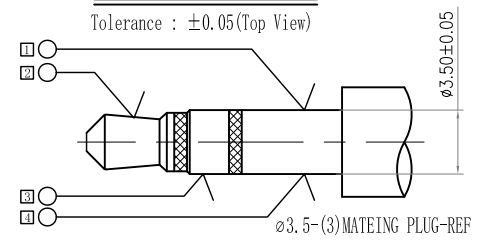


: INDICATES THE KEY DIMENSIONS [“”為重點尺寸]

* REVISIONS				
LTR	DESCRIPTION	DATE	REVISED	APPROVED
A2	更正电镀规格与塑胶材质	2018.01.30	H. RP	GAOWEI
A3	客人要求增加DC喷码	2018.12.05	H. RP	GAOWEI



Recommend of PC Board Holes
Tolerance : ±0.05(Top View)



- Notes:
- Electrical Characteristics:
 - Rating : DC 30V 0.5 A ;
 - Contact Resistance: 50mΩ Max.(Initial),
Between plug and contact 100mΩ Max;
(Final) After Life test: ≤60mΩ ;
 - Dielectric Withstanding Voltage: 500V AC for One Minute ;
 - Insulation Resistance: 100MΩ Min. Measured By 500 VDC;
 - Mechanical Characteristics:
 - Plug Insertion Force 0.3~3.0Kgf (initial),
0.3~3.0Kgf (Final) life test;
 - Plug Extraction Force: 0.3~3.0Kgf (initial),
0.3~3.0Kgf (Final) life test;
 - Durability Test: 5,000 Cycles min;
 - Operating temperature:-25°C ~ +70°C;
 - Soldering Heat Resistance Reflow Soldering 260°C; ▲
 - Plug Interface Dimensions Conform To EIAJ RC-5325A Spec;
 - Packaging:Tray;

LEAD FREE

11	BUSING	1	COPPER ALLOY	MB:Ni Ag Plating ▲
10	DRIVE IC	1	PLR237 RX(25M)	
9	Shell	1	Brass t=0.30	MB:Ni Ag Plating
8	Make terminal	5	Phosphor bronze t=0.25	MB:Ni Gold Flash ▲
7	Transfer terminal	4	Phosphor bronze t=0.25	MB:Ni Gold Flash ▲
6	Ring spring	2	Phosphor bronze t=0.25	MB:Ni Gold Flash ▲
5	Tip spring	3	Phosphor bronze t=0.30	MB:Ni Gold Flash ▲
4	Earth spring	1	Phosphor bronze t=0.25	MB:Ni Gold Flash ▲
3	COVER	1	PA9T	▲ UL94V-0 BLACK
2	HOUSING(B)	1	PA9T	▲ UL94V-0 BLACK
1	HOUSING(A)	1	PA9T	▲ UL94V-0 BLACK
LTR	PART NAME	QTY	MATERIAL	REMARK

-TOLERANCES-		Singatron Enterprise Co., Ltd.		
UNLESS OTHERWISE SPECIFIED		TITLE	Ø3.5mm Audio Jack + SPIDF	
X.X ±0.30	X.X' ±3'	DWN	H. RP 2016.06.15	PART NO. 2SJ-W035-173A-R2
X.XX ±0.25	X.X' ±1'	CHKD	GAOWEI 2016.06.15	SCALE 1:1 UNIT: mm
X.XXX ±0.20		APVD	GAOWEI 2016.06.15	SIZE: A3 SHEET:1 OF 1 REV: A3
CUSTOMER COPY				