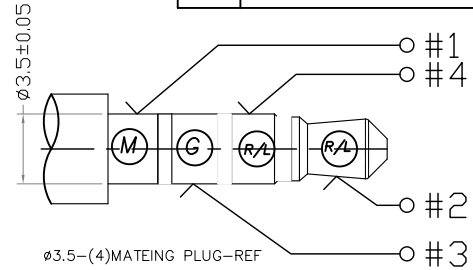
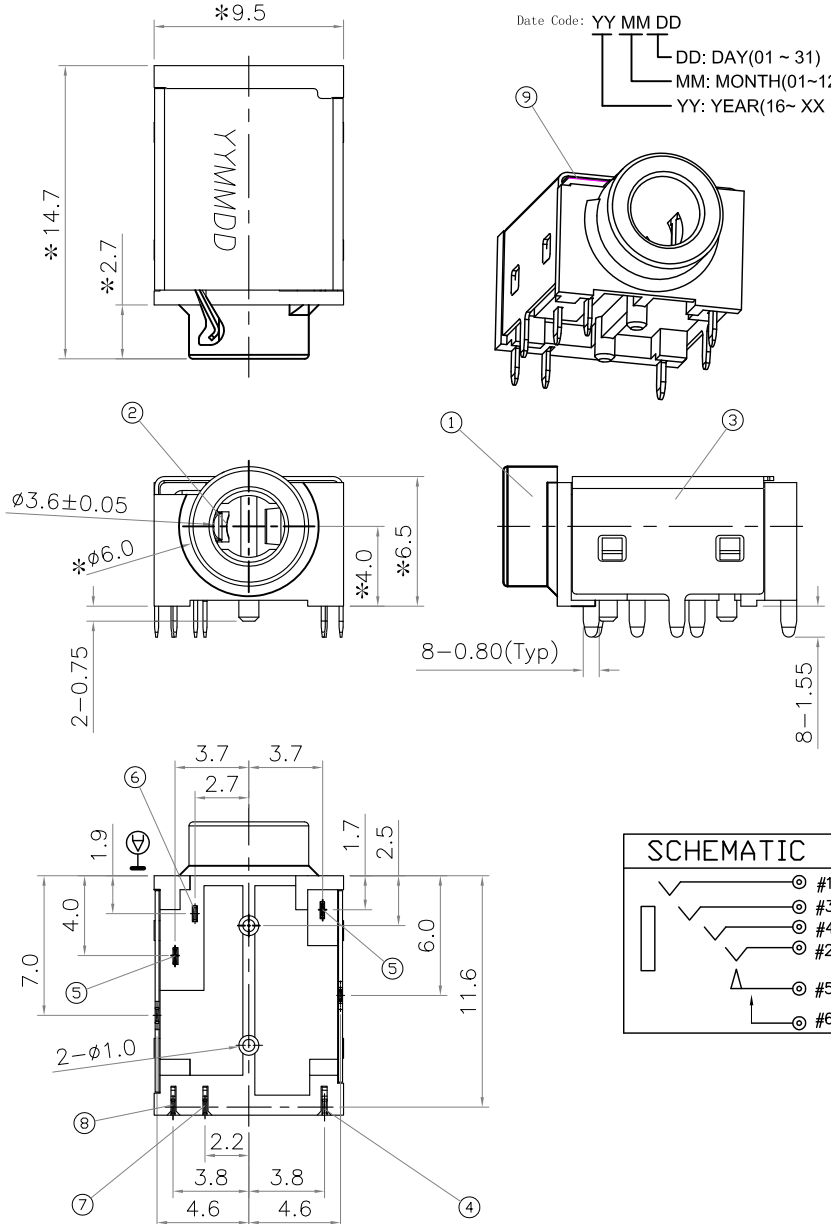


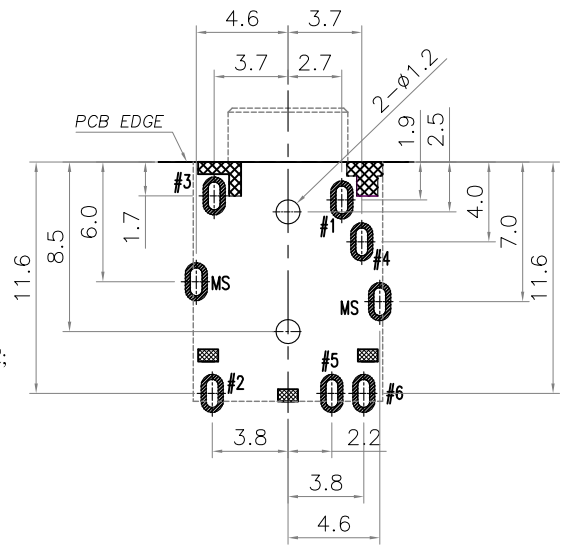
*: INDICATES THE KEY DIMENSIONS [*为重點尺寸]

* REVISIONS			
LTR	DESCRIPTION	DATE	APPROVED

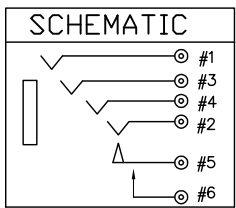
Date Code: YY MM DD
 DD: DAY(01 ~ 31)
 MM: MONTH(01~12)
 YY: YEAR(16~ XX)



- Notes:
- Electrical Characteristics:
 - 1-1. Rating : DC 30V 0.5 A ;
 - 1-2. Contact Resistance: 30mΩ Max.(Initial),
Between plug and contact 100mΩ Max;
(Final) After Life test: $\leq 60\text{m}\Omega$;
 - 1-3. Dielectric Withstanding Voltage: 500V AC for One Minute ;
 - 1-4. Insulation Resistance: 100MΩ Min. Measured By 500 VDC;
 - Mechanical Characteristics:
 - 2-1. Plug Insertion Force 0.3~3.0Kgf (initial),
0.3~3.0Kgf (Final) life test;
 - 2-2. Plug Extraction Force: 0.3~3.0Kgf (initial),
0.3~3.0Kgf (Final) life test;
 - Durability Test: 5,000 Cycles min;
 - Operating temperature: $-25^{\circ}\text{C} \sim +70^{\circ}\text{C}$;
 - Soldering Heat Resistance Reflow Soldering 260°C ;
 - Plug Interface Dimensions Conform To EIAJ RC-5325A Spec;
 - Packaging: Tape Reel;



STAND OFF AREA(PLASTIC)
 Recommend of PC Board Holes
 Tolerance : ± 0.05 (Printed-Top view)



HALOGEN FREE

9	MYLAR	1		
8	MAKE SPRING	6	Copper Alloy	MB: Ni Ag PLATED
7	TRANSFER SPRING	5	Copper Alloy	
6	EARTH SPRING	1	Copper Alloy	GOLD FLASH ON CONTACT AREA, Matte Tin on solder Tail, All over Ni Plating.
5	RING SPRING	3, 4	Copper Alloy	
4	TIP SPRING	2	Copper Alloy	
3	SHELL	1	Copper Alloy	Ni PLATED
2	SEPARATE	1	HIGH-TEMP THERMOPLASTIC	UL-94V0 (BLACK)
1	HOUSING	1	HIGH-TEMP THERMOPLASTIC	UL-94V0 (BLACK)
LTR	PART NAME	QTY	MATERIAL	REMARK

-TOLERANCES- UNLESS OTHERWISE SPECIFIED		Singatron Enterprise Co., Ltd.		
公差		MINIATURE JACK		
X.X ± 0.30	X" $\pm 3^{\circ}$	PART NO. 2WJ-W035-176AF		
X.XX ± 0.25	X.X" $\pm 1^{\circ}$	DWN	11. RP 2016. 08. 04	SCALE 1:1 UNIT: mm
X.XXX ± 0.20		CHKD	GAOWEI 2016. 08. 04	SIZE: A3 SHEET: 1 OF 1 REV: 001
		APVD	GAOWEI 2016. 08. 04	CUSTOMER COPY