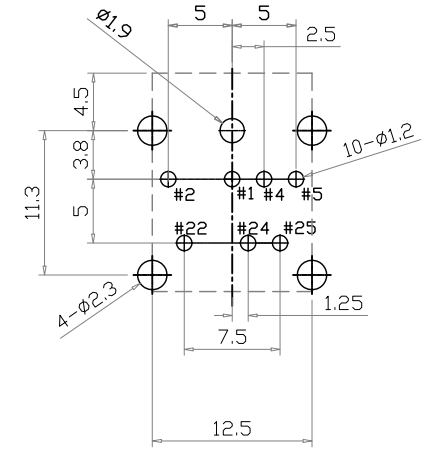
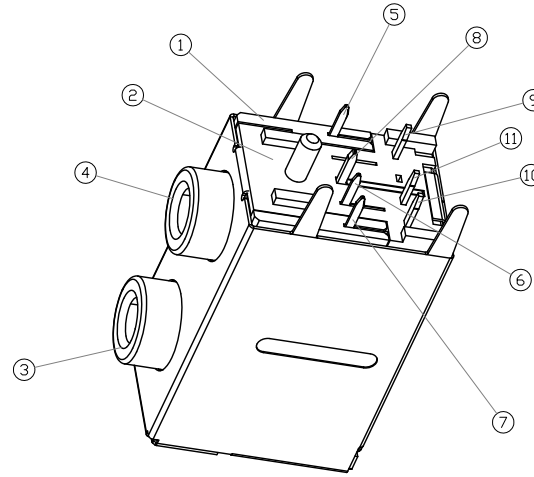
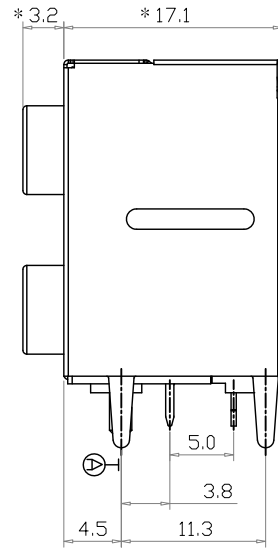
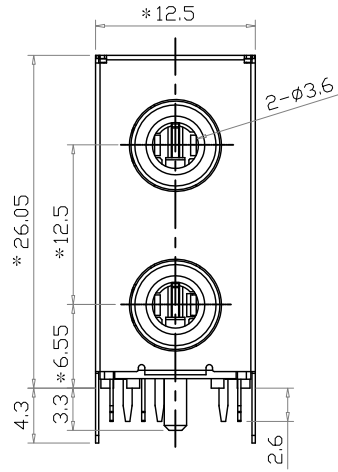
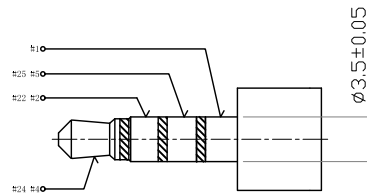
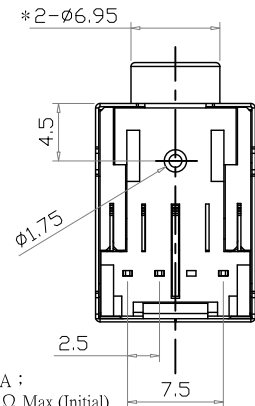


*: INDICATES THE KEY DIMENSIONS [*为重點尺寸]

* REVISIONS			
LTR	DESCRIPTION	DATE	REVISED APPROVED



Recommend of PC Board Holes
Tolerance : ±0.05(Printed-Top view)

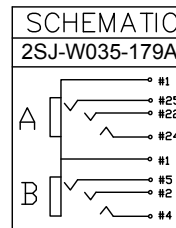


φ3.5-(4)MATEING PLUG

- Notes:
- Electrical Characteristics:
 - 1-1.Rating : DC 30V 0.5 A ;
 - 1-2.Contact Resistance: 30mΩ Max.(Initial),
Between plug and contact 100mΩ Max;
(Final) After Life test: ≤60mΩ ;
 - 1-3.Dielectric Withstanding Voltage: 500V AC for One Minute ;
 - 1-4. Insulation Resistance: 100MΩ Min. Measured By 500 VDC;
 - Mechanical Characteristics:
 - 2-1. Plug Insertion Force 0.3~3.0Kgf (initial),
0.3~3.0Kgf (Final) life test;
 - 2-2. Plug Extraction Force: 0.3~3.0Kgf (initial),
0.3~3.0Kgf (Final) life test;
 - Durability Test: 5,000 Cycles min;
 - Operating temperature:-25°C ~ +70°C;
 - Soldering Heat Resistance Reflow Soldering 230°C;
 - Plug Interface Dimensions Conform To EIAJ RC-5325A Spec;
 - Packaging:Tray;

RoHS Compliant

13	SHELL	1	SPCC t=0.25	Ni PLATED
12	BACK PATCH	1	SPCC t=0.20	Ni PLATED
11	TERMINAL #24	1	PHOSPHOR BRONZE t=0.25	Sn PLATED
10	TERMINAL #25	1	PHOSPHOR BRONZE t=0.25	Sn PLATED
9	TERMINAL #22	1	PHOSPHOR BRONZE t=0.25	Sn PLATED
8	TERMINAL #1	1	BRASS t=0.50	Sn PLATED
7	TERMINAL #5	1	PHOSPHOR BRONZE t=0.25	Sn PLATED
6	TERMINAL #4	1	PHOSPHOR BRONZE t=0.25	Sn PLATED
5	TERMINAL #2	1	PHOSPHOR BRONZE t=0.25	Sn PLATED
4	BASE-B	1	PBT	UL94V-0 BLACK
3	BASE-A	1	PBT	UL94V-0 BLACK
2	COVER	1	LCP	UL94V-0 BLACK
1	HOUSING	1	PA66	UL94V-0 BLACK
LTR	PART NAME	QTY	MATERIAL	REMARK



SCHEMATIC		-TOLERANCES-	
2SJ-W035-179A		UNLESS OTHERWISE SPECIFIED	
		公差	
A	Terminal #1	X.X ±0.30	X.X' ±3'
B	Terminal #5	X.XXX ±0.25	X.XX' ±1'
	Terminal #2	X.XXX ±0.20	

Singatron Enterprise Co., Ltd.			
TITLE	MINIATURE JACK		
DWN	H.RP 2017.02.08	PART NO. 2SJ-W035-179A	
CHKD	GADWEI 2017.02.08	SCALE 1:1	UNIT: mm
APVD	GADWEI 2017.02.08	SIZE: A3	SHEET:1 OF 1 REV:001
CUSTOMER COPY			