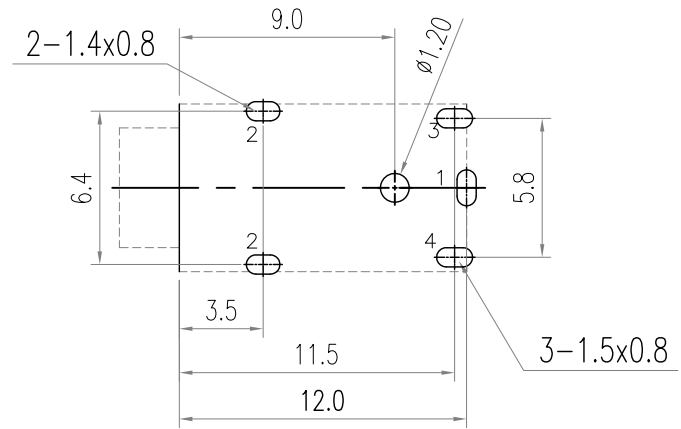
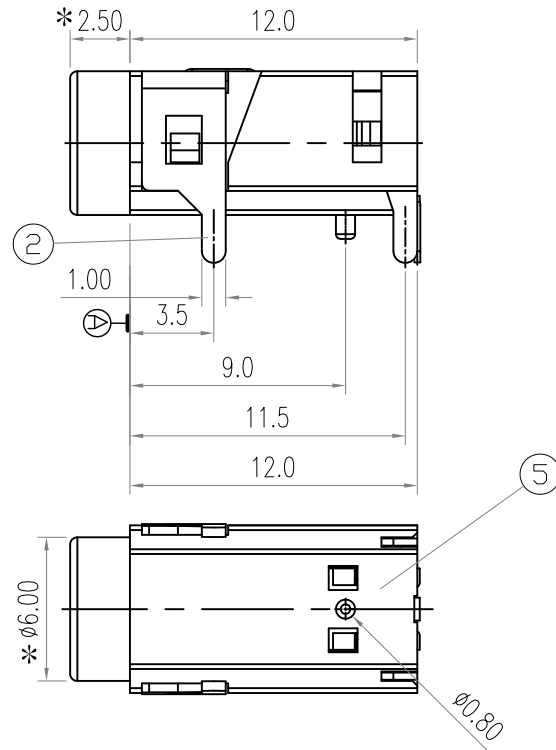
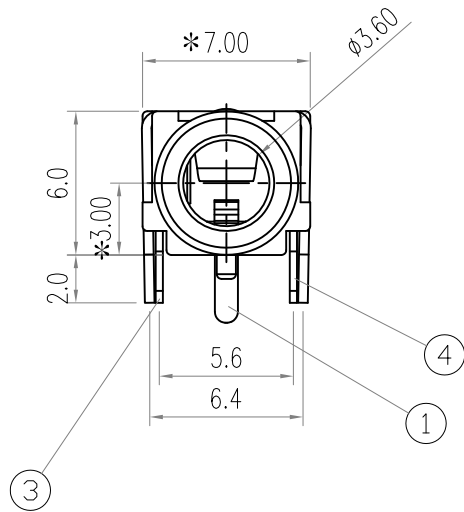
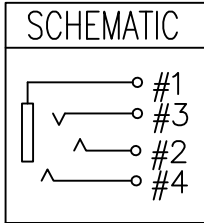
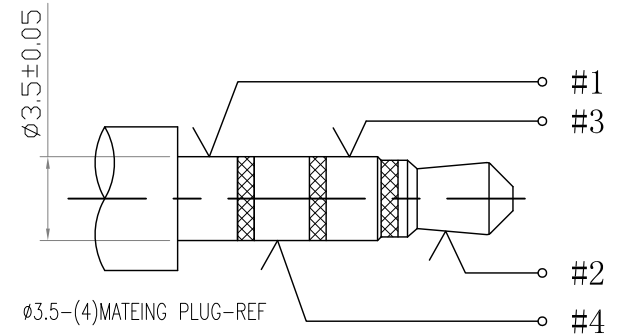


*: INDICATES THE KEY DIMENSIONS [*为重點尺寸]

* REVISIONS				
LTR	DESCRIPTION	DATE	REVISED	APPROVED



Recommend of PC Board Holes
Tolerance : ±0.05(Top view)



- Notes:
- Electrical Characteristics:
 - Rating : DC 30V 0.5 A ;
 - Contact Resistance: 50mΩ Max.(Initial), 100mΩ Max.(Final) After test: ≤50mΩ ;
 - Dielectric Withstanding Voltage: 500V AC for One Minute ;
 - Insulation Resistance: 100MΩ Min. Measured By 500 VDC;
 - Mechanical Characteristics:
 - Plug Insertion Force 0.3~3.0Kgf (initial), 0.3~3.0Kgf (Final) life test;
 - Plug Extraction Force: 0.3~3.0Kgf (initial), 0.3~3.0Kgf (Final) life test;
 - Durability Test: 5,000 Cycles min;
 - Operating temperature:-25°C ~ +70°C;
 - Soldering Heat Resistance Wave soldering 230°C;
 - Plug Interface Dimensions Conform To EIAJ RC-5325A Spec;
 - Packaging:Bag;

LEAD FREE

5	HOUSING	1	PBT	UL94V-0	BLACK
4	RING SPRING-2	#4	1	PHOSPHOR BRONZE t=0.30	MB:Ni Ag PLATED
3	RING SPRING-1	#3	1	PHOSPHOR BRONZE t=0.30	MB:Ni Ag PLATED
2	TIP SPRING	#2	1	BRASS t=0.40	MB:Ni Ag PLATED
1	EARTH SPRING	#1	1	PHOSPHOR BRONZE t=0.25	MB:Ni Ag PLATED

LTR	PART NAME	QTY	MATFRIAL	RFMARK
-TOLERANCES- UNLESS OTHERWISE SPECIFIED 公差				
X.X	±0.30	X.X	±3"	
X.XX	±0.25	X.XX	±1"	
X.XXX	±0.20			

Singatron Enterprise Co., Ltd.

TITLE: **MINIATURE JACK**

DWN: H.RP2017.06.19 **PART NO. 2SJ-W035-17JS**

CHKD: SAOWEI2017.06.19 **SCALE 1:1 UNIT: mm**

APVD: SAOWEI2017.06.19 **SIZE: A3 SHEET: 1 OF 1 REV: 001**

CUSTOMER COPY