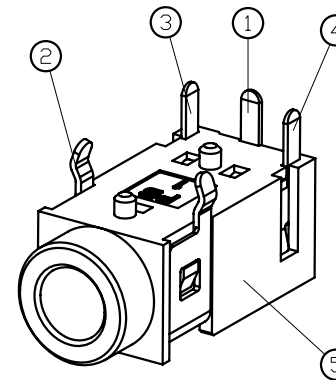
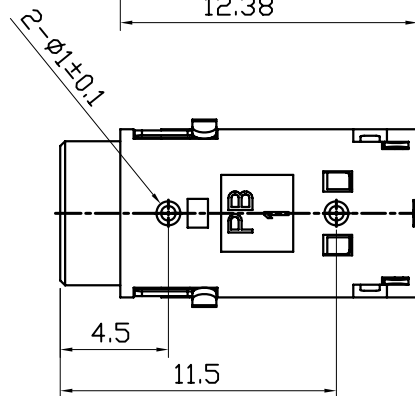
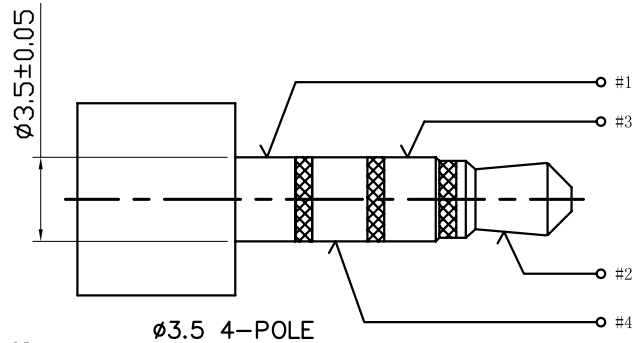
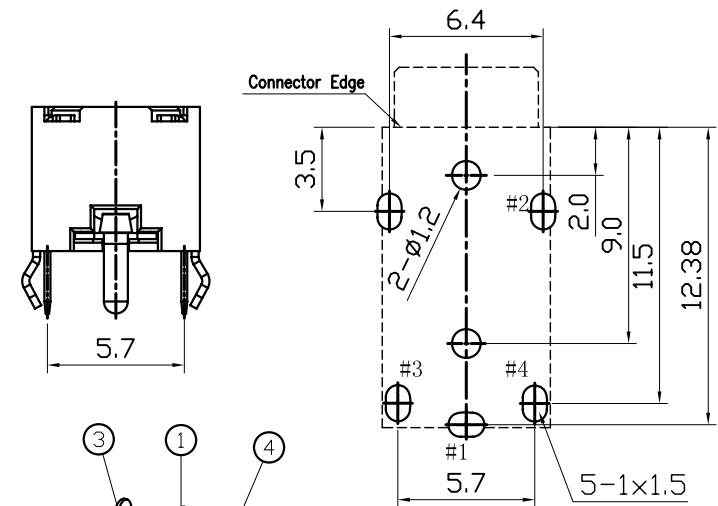
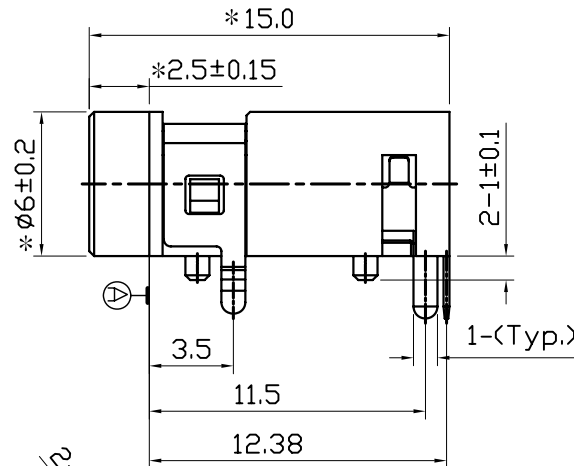
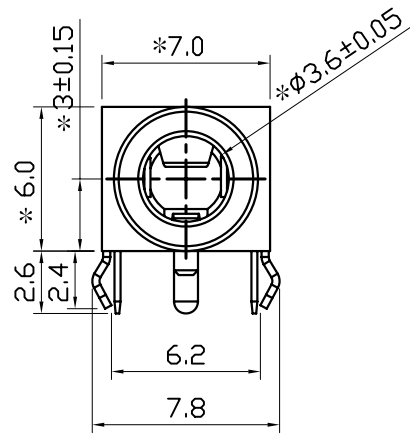
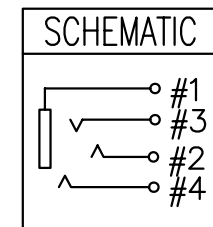


*: INDICATES THE KEY DIMENSIONS 【*为重點尺寸】



Recommend of PC Board Holes

Tolerance : ±0.05(Top view)



Notes:

1. Electrical Characteristics:

- 1-1. Rating : DC 30V 0.5 A ;
- 1-2. Contact Resistance: 50mΩ Max.(Initial),
100mΩ Max.(Final) After test: ≤50mΩ ;
- 1-3. Dielectric Withstanding Voltage: 500V AC for One Minute ;
- 1-4. Insulation Resistance: 100MΩ Min. Measured By 500 VDC;

2. Mechanical Characteristics:

- 2-1. Plug Insertion Force 0.3~3.0Kgf (initial),
0.3~3.0Kgf (Final) life test;
- 2-2. Plug Extraction Force: 0.3~3.0Kgf (initial),
0.3~3.0Kgf (Final) life test;

3. Durability Test: 5,000 Cycles min;

4. Operating temperature: -25°C ~ +70°C;

5. Soldering Heat Resistance Wave Soldering 230°C;

6. Plug Interface Dimensions Conform To EIAJ RC-5325A Spec;

7. Packaging: Bag;

LEAD FREE

5	HOUSING		1	PBT		UL94V-0	BLACK
4	RING SPRING-2	#4	1	C5191	t=0.25	MB:Ni	Gold Flash
3	RING SPRING-1	#3	1	C5191	t=0.25	MB:Ni	Gold Flash
2	TIP SPRING	#2	1	C2680	t=0.30	MB:Ni	Gold Flash
1	EARTH SPRING	#1	1	C5191	t=0.25	MB:Ni	Gold Flash
LTR	PART NAME	QTY	MATERIAL	REMARK			

-TOLERANCES- UNLESS OTHERWISE SPECIFIED 公差		Singatron Enterprise Co., Ltd.			
		MINIATURE JACK			
		PART NO. 2SJ-W035-17SABG			
X.X ±0.30	X.X" ±3"	DWN	H.RP	SCALE 1:1	UNIT: mm
X.XX ±0.25	X.XX" ±1"	CHKD	2016.11.02	SIZE: A3	SHEET: 1 OF 1
X.XXX ±0.20		APVD	GAOWEI	REV: A	
CUSTOMER COPY					