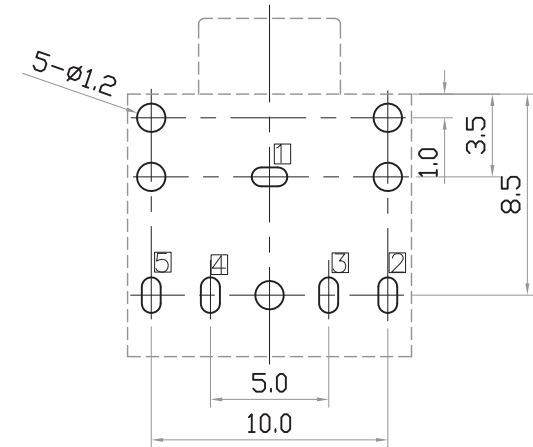
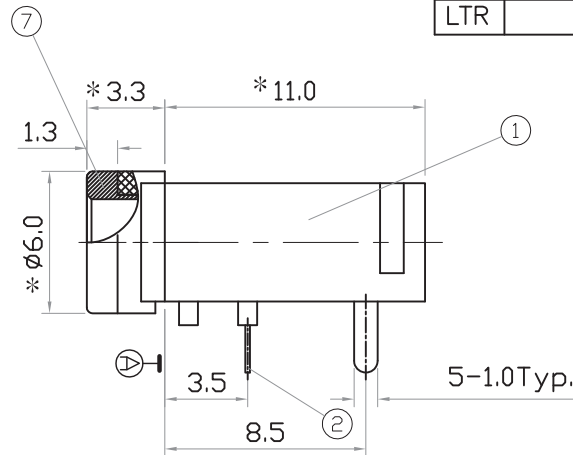
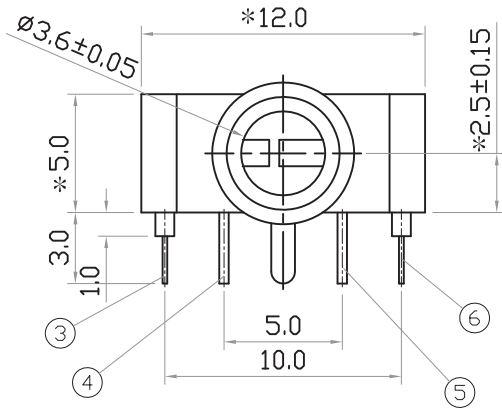


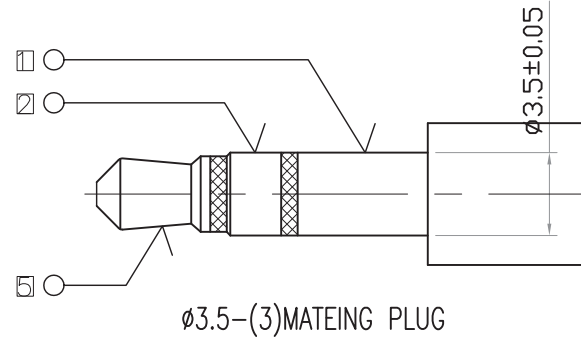
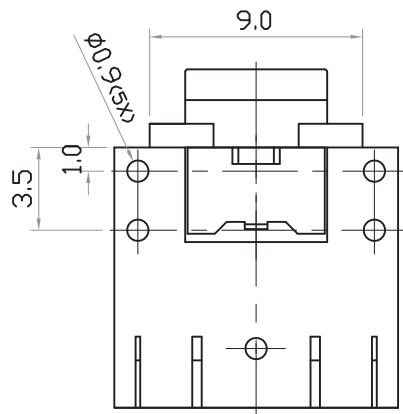
*: INDICATES THE KEY DIMENSIONS [*为重點尺寸]

* REVISIONS

LTR	DESCRIPTION	DATE	REVISED	APPROVED
-----	-------------	------	---------	----------



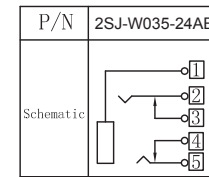
Recommend of PC Board Holes
Tolerance : ±0.05(Printed-Top view)



ø3.5-(3)MATEING PLUG

NO. Note:
2SJ-W035-24

线路类型: _____ 本体颜色: See Table.
A. B. . . F



Notes:

- Electrical Characteristics:
 - Rating : DC 30V 0.5 A ;
 - Contact Resistance: 30mΩ Max.(Initial),
Between plug and contact 100mΩ Max;
(Final) After Life test: ≤60mΩ ;
 - Dielectric Withstanding Voltage: 500V AC for One Minute ;
 - Insulation Resistance: 100MΩ Min. Measured By 500 VDC;

2. Mechanical Characteristics:

- Plug Insertion Force 0.3~3.0Kgf (initial),
0.3~3.0Kgf (Final) life test;
- Plug Extraction Force: 0.3~3.0Kgf (initial),
0.3~3.0Kgf (Final) life test;

3. Durability Test: 5,000 Cycles min;

4. Operating temperature:-25°C ~ +70°C;

5. Soldering Heat Resistance Reflow Soldering 230°C;

6. Plug Interface Dimensions Conform To EIAJ RC-5325A Spec;

7. Packaging:Plastic Bag;

Table"

MODEL NO.	COLOR
2SJ-W035-24AB	BLACK

-TOLERANCES-	
UNLESS OTHERWISE SPECIFIED	
公差	
X.X ±0.30	X.X" ±3°
X.XX ±0.25	X.XX" ±1°
X.XXX ±0.20	

LEAD FREE

7	BUSHING	1	BRASS	Ni PLATED
6	TIP SPRING	1	STAINLESS STEEL t=0.20	MB:Ni Ag PLATED
5	SHUNT TERMANIL-A	1	BRASS t=0.40	MB:Ni Ag PLATED
4	SHUNT TERMANIL-A	1	BRASS t=0.40	MB:Ni Ag PLATED
3	RING SPRING	1	STAINLESS STEEL t=0.20	MB:Ni Ag PLATED
2	EARTH SPRING	1	COPPER ALLOY t=0.20	MB:Ni Ag PLATED
1	HOUSING	1	PBT	UL94V-0 See Table"
LTR	PART NAME	QTY	MATERIAL	REMARK

DWN	HU LUN	DATE	2006.03.15	3RD ANGLE PROJECTION	NAME	MINIATURE JACK
CHKD	GAO WEI	DATE	2006.03.15		CAT. NO.	2SJ-W035-24AB
APVD	JACKY	DATE	2006.03.15	UNIT: mm	DWN.NO.	01-035-24 001
SINGATRON U.S.A.						