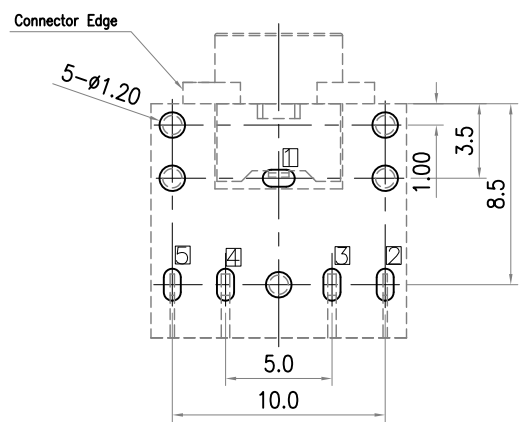
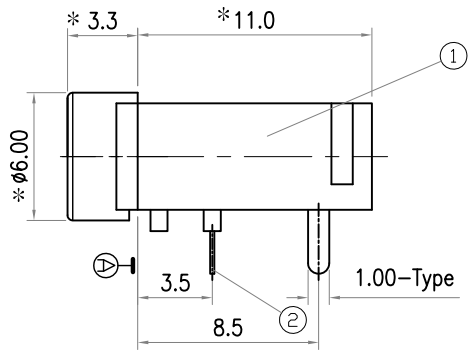
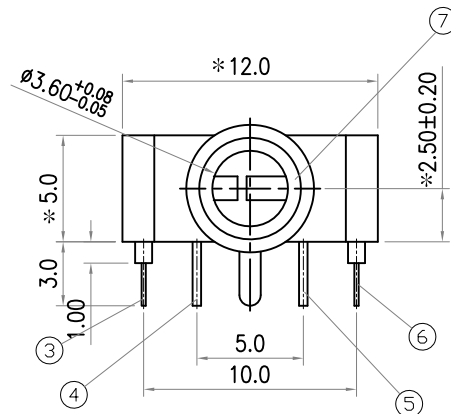
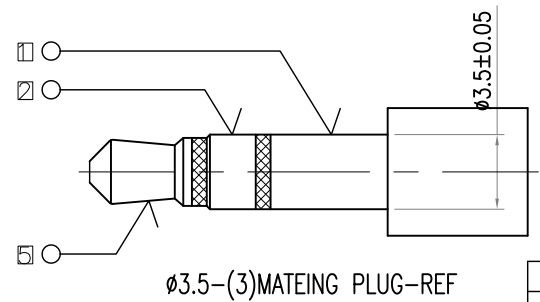
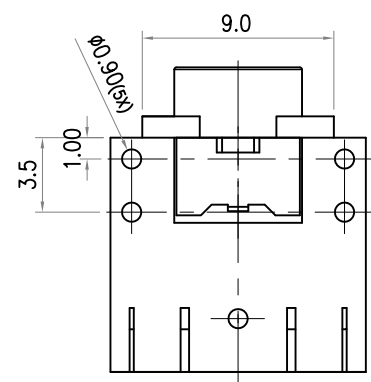


*: INDICATES THE KEY DIMENSIONS [*为重點尺寸]

* REVISIONS			
LTR	DESCRIPTION	DATE	APPROVED



Recommend of PC Board Holes
Tolerance : ±0.05(Top view)



P/N	2SJ-W035-24HA	2SJ-W035-24HB	2SJ-W035-24HC	2SJ-W035-24HD	2SJ-W035-24HE	2SJ-W035-24HF
Schematic						

- Notes:
- Electrical Characteristics:
 - Rating : DC 30V 0.5 A ;
 - Contact Resistance: 30mΩ Max.(Initial),
Between plug and contact 100mΩ Max;
(Final) After Life test: ≤60mΩ ;
 - Dielectric Withstanding Voltage: 500V AC for One Minute ;
 - Insulation Resistance: 100MΩ Min. Measured By 500 VDC;
 - Mechanical Characteristics:
 - Plug Insertion Force 0.3~3.0Kgf (initial),
0.3~3.0Kgf (Final) life test;
 - Plug Extraction Force: 0.3~3.0Kgf (initial),
0.3~3.0Kgf (Final) life test;
 - Durability Test: 5,000 Cycles min;
 - Operating temperature:-25°C ~ +70°C;
 - Soldering Heat ResistanceWave soldering 230°C;
 - Plug Interface Dimensions Conform To EIAJ RC-5325A Spec;
 - Packaging:Plastic Bag;

MODEL NO.	COLOR
2SJ-W035-24H_01	GREEN
2SJ-W035-24H_02	RED
2SJ-W035-24H_03	BLUE
2SJ-W035-24H_04	ORANGE
2SJ-W035-24H_B	BLACK

LEAD FREE

7	BUSHING	1	BRASS	Ni PLATED
6	TIP SPRING	1	STAINLESS STEEL t=0.20	MB:Ni Ag PLATED
5	SHUNT TERMINAL-A	1	BRASS t=0.40	MB:Ni Ag PLATED
4	SHUNT TERMINAL-A	1	BRASS t=0.40	MB:Ni Ag PLATED
3	RING SPRING	1	STAINLESS STEEL t=0.20	MB:Ni Ag PLATED
2	EARTH SPRING	1	COPPER ALLOY t=0.20	MB:Ni Ag PLATED
1	HOUSING	1	PBT	UL94V-0 BLACK
LTR	PART NAME	QTY	MATERIAL	REMARK

-TOLERANCES- UNLESS OTHERWISE SPECIFIED 公差		Singatron Enterprise Co., Ltd.		
		TITLE MINIATURE JACK		
X.X ±0.30	X.X" ±3°	DWN	HJLUN 2006.03.15	PART NO. 2SJ-W035-24H_...
X.XX ±0.25	X.XX" ±1°	CHKD	GAOWEI 2006.03.15	SCALE 1:1 UNIT: mm
X.XXX ±0.20		APVD	JACKY 2006.03.15	SIZE: A3 SHEET:1 OF 1 REV:001
CUSTOMER COPY				