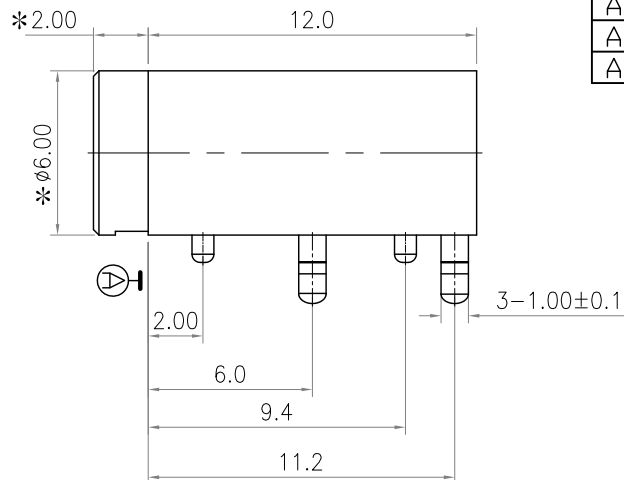
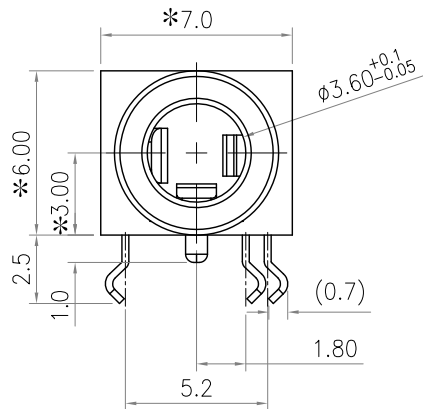
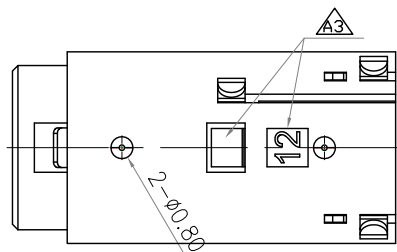
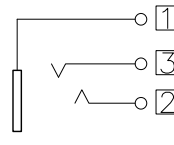


\*: INDICATES THE KEY DIMENSIONS [\*:為重點尺寸]



SCHEMATIC

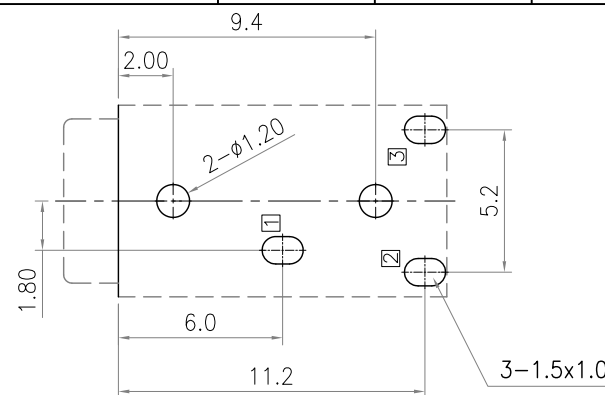


Notes:

1. Electrical Characteristics:
  - 1-1. Rating : DC 30V 0.5 A ;
  - 1-2. Contact Resistance: 30mΩ Max.(Initial),  
Between plug and contact 100mΩ Max;  
(Final) After Life test: ≤60mΩ ;
  - 1-3. Dielectric Withstanding Voltage: 500V AC for One Minute ;
  - 1-4. Insulation Resistance: 100MΩ Min. Measured By 500 VDC;
2. Mechanical Characteristics:
  - 2-1. Plug Insertion Force 0.3~3.0Kgf (initial),  
0.3~3.0Kgf (Final) life test;
  - 2-2. Plug Extraction Force: 0.3~3.0Kgf (initial),  
0.3~3.0Kgf (Final) life test;
3. Durability Test: 5,000 Cycles min;
4. Operating temperature: -25°C ~ +70°C;
5. Soldering Heat Resistance Wave soldering 230°C;
6. Plug Interface Dimensions Conform To EIAJ RC-5325A Spec;
7. Packaging: Plastic Bag;

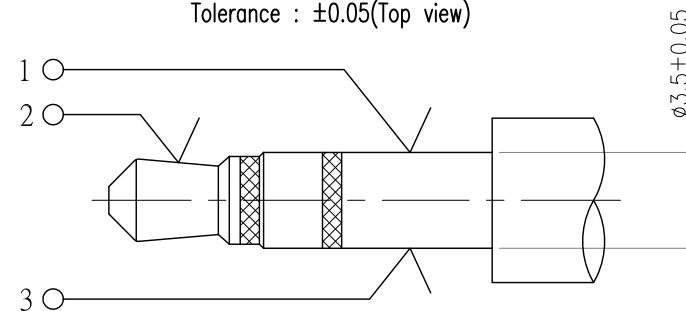
\* REVISIONS

LTR	DESCRIPTION	DATE	REVISED	APPROVED
A1	新图发行	2006. 02. 13	HU LUN	JACKY
A2	更新图面	2015. 12. 15	H. RP	GAOWEI
A3	图面完善模穴号`弹片卡勾符合实物	2017. 07. 03	H. RP	GAOWEI



Recommend of PC Board Holes

Tolerance : ±0.05(Top view)



LEAD FREE

Ø3.5-(3)MATEING PLUG-REF

4	RING SPRING-1	3	1	PHOSPHOR BRONZE	MB: Ni Ag	PLATED
3	TIP SPRING	2	1	PHOSPHOR BRONZE	MB: Ni Ag	PLATED
2	EARTH SPRING	1	1	PHOSPHOR BRONZE	MB: Ni Ag	PLATED
1	HOUSING		1	PBT	BLACK	
LTR	PART NAME	QTY		MATERIAL	REMARK	

-TOLERANCES- UNLESS OTHERWISE SPECIFIED 公差	
X.X ±0.30	X.X' ±3°
X.XX ±0.25	X.XX' ±1°
X.XXX ±0.20	

Singatron Enterprise Co., Ltd.

TITLE	MINIATURE JACK		
DWN	HU LUN 2006.02.13	PART NO. 2SJ-W035-27SD	
CHKD	GAOWEI 2006.02.13	SCALE 1:1	UNIT: mm
APVD	JACKY 2006.02.13	SIZE: A3	SHEET: 1 OF 1 REV: 003

CUSTOMER COPY