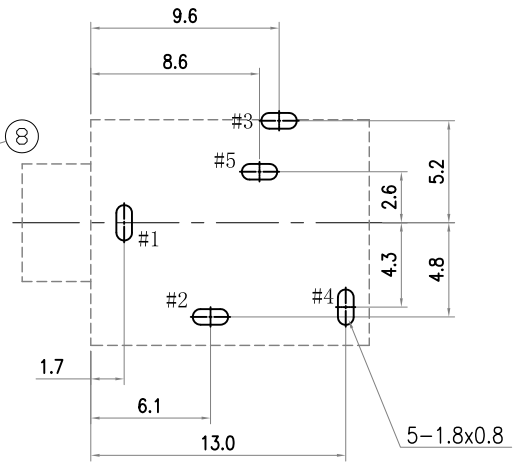
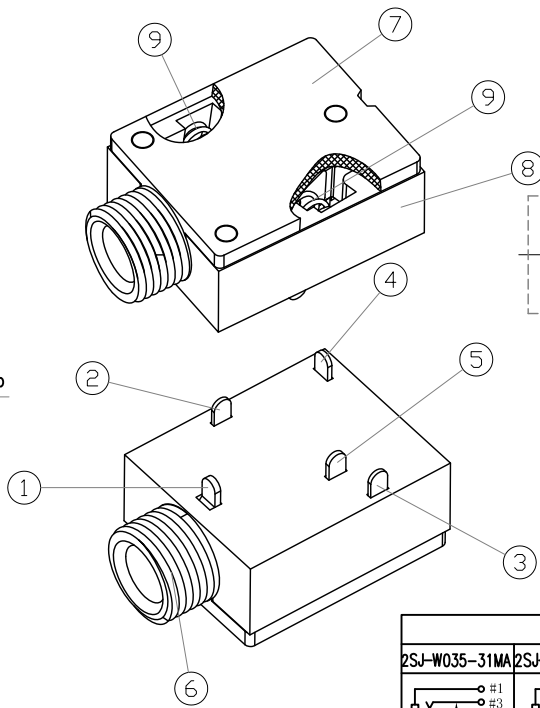
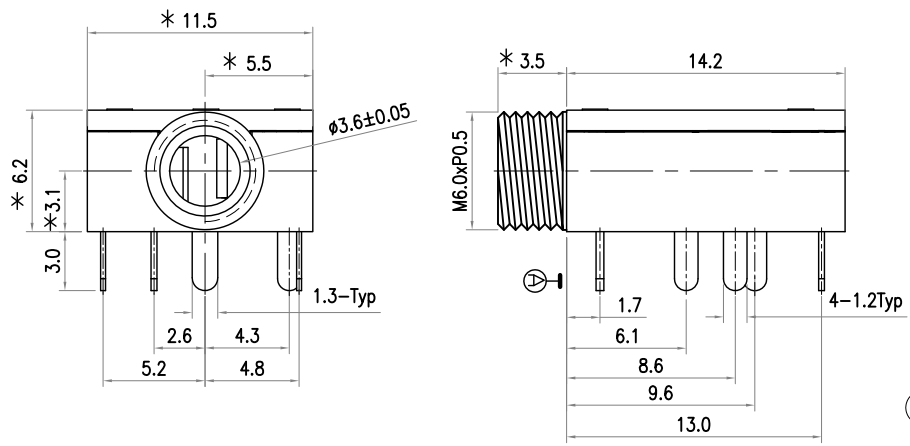
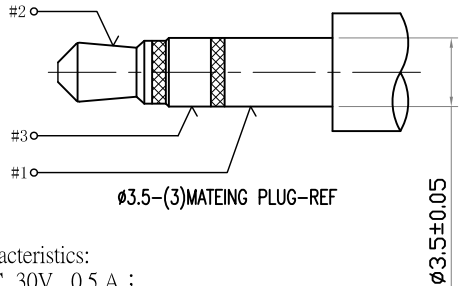


\*: INDICATES THE KEY DIMENSIONS [\*为重點尺寸]

* REVISIONS				
LTR	DESCRIPTION	DATE	REVISED	APPROVED
	统一更新图画	2015.03.18	H. RP	GAOWEI



Recommend of PC Board Holes  
Tolerance : ±0.05(Top view)



SCHEMATIC				
2SJ-W035-31MA	2SJ-W035-31MB	2SJ-W035-31MC	2SJ-W035-31MD	2SJ-W035-31MI

- Notes:
- Electrical Characteristics:
    - 1-1.Rating : DC 30V 0.5 A ;
    - 1-2.Contact Resistance: 50mΩ Max.(Initial), 100mΩ Max.(Final) After test: ≤50mΩ ;
    - 1-3.Dielectric Withstanding Voltage: 500V AC for One Minute ;
    - 1-4. Insulation Resistance: 100MΩ Min. Measured By 500 VDC;
  - Mechanical Characteristics:
    - 2-1. Plug Insertion Force 0.3~3.0Kgf (initial), 0.3~3.0Kgf (Final) life test;
    - 2-2. Plug Extraction Force: 0.3~3.0Kgf (initial), 0.3~3.0Kgf (Final) life test;
  - Durability Test: 5,000 Cycles min;
  - Operating temperature:-25°C ~ +70°C;
  - Soldering Heat Resistance Wave Soldering 230°C;
  - Plug Interface Dimensions Conform To EIAJ RC-5325A Spec;
  - Packaging:Plastic Bag;

9	SPRING	2	SWC	N/A
8	HOUSING	1	PBT	BLACK
7	COVER	1	PC	TRANSPARENT
6	AXIS SUPPORT	1	C2680	Ni PLATED
5	SHUNT TERMINAL	1	C2680 t=0.35	Sn PLATED
4	SHUNT TERMINAL	1	C2680 t=0.35	Sn PLATED
3	RING SPRING	1	C5191 t=0.25	Sn PLATED
2	TIP SPRING	1	C5191 t=0.25	Sn PLATED
1	EARTH TERMINAL	1	C2680 t=0.45	Sn PLATED

LTR	PART NAME	QTY	MATERIAL	REMARK
-TOLERANCES- UNLESS OTHERWISE SPECIFIED 公差				
X.X	±0.30	X.X"	±3"	
X.XX	±0.25	X.XX"	±1"	
X.XXX	±0.20			

Singatron Enterprise Co., Ltd.			
TITLE	MINIATURE JACK		
DWN	ANJOU 2009.03.03	PART NO.	2SJ-W035-31M
CHKD	ANJOU 2009.03.03	SCALE	1:1 UNIT: mm
APVD	GIYVEN 2009.03.03	SIZE	A3 SHEET:1 OF 1
REV: 002			
CUSTOMER COPY			

LEAD FREE