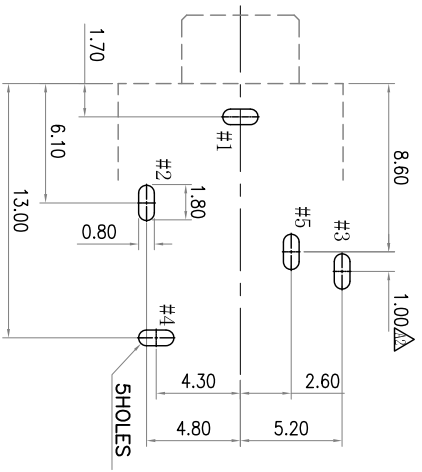
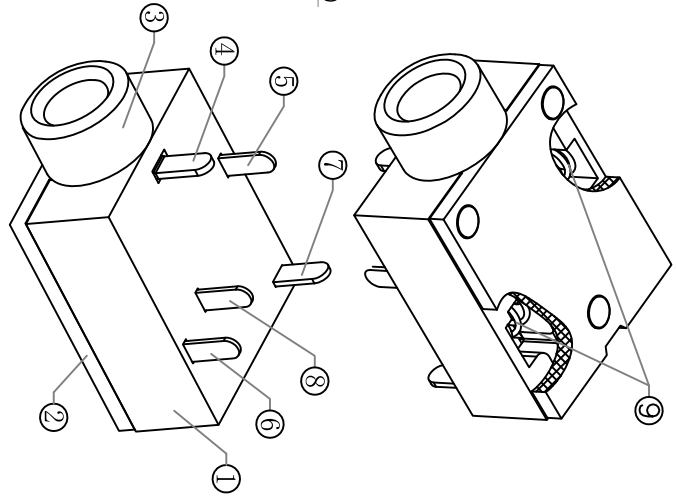
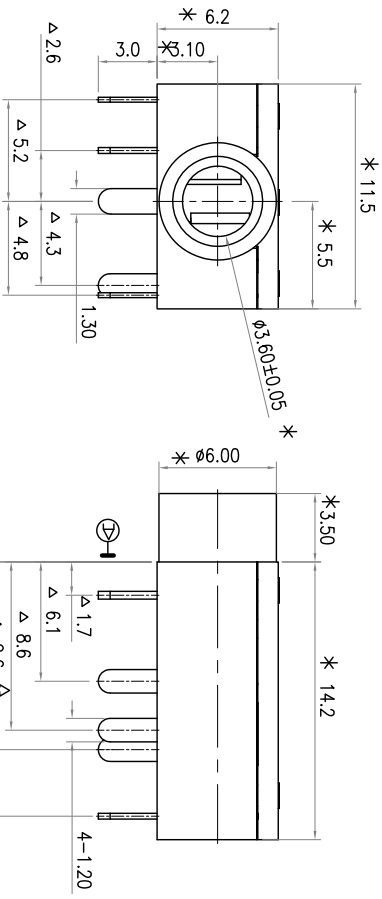
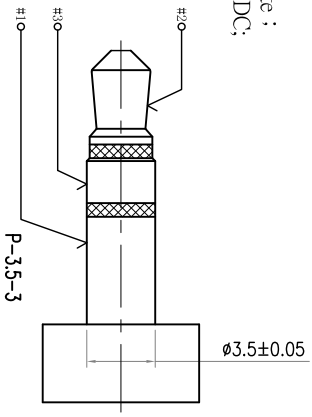


*1 INDICATES THE KEY DIMENSIONS [* 為重點尺寸]
 Δ Δ Δ INDICATES THE MATING DIMENSIONS [Δ Δ Δ 為實配尺寸]



- Notes:
- Electrical Characteristics:
 - Rating : DC 30V 0.5 A ;
 - Contact Resistance: 50mΩ Max.(Initial), 100mΩ Max.(Final) After test: ≤50mΩ ;
 - Dielectric Withstanding Voltage: 500V AC for One Minute ;
 - Insulation Resistance: 100MΩ Min. Measured By 500 VDC;
 - Mechanical Characteristics:
 - Plug Insertion Force 0.3~3.0Kgf (initial), 0.3~3.0Kgf (Final) life test;
 - Plug Extraction Force: 0.3~3.0Kgf (initial), 0.3~3.0Kgf (Final) life test;
 - Durability Test: 5,000 Cycles min;
 - Operating Temperature: -25°C ~ +70°C;
 - Soldering Heat Resistance Wave Soldering 230°C; Δ
 - Plug Interface Dimensions Conform To EIAJ RC-5325A Spec;
 - Packaging: Plastic Bag;



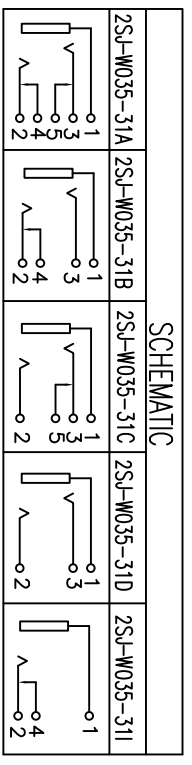
* REVISIONS		DATE	REVISED	APPROVED
LTR	DESCRIPTION	2015.03.18	H.RP	GAOMEI
A2	1.更正尺寸2. ReFlow更正Wave	2018.11.14	H.RP	GAOMEI

LEAD FREE

9	8	7	6	5	4	3	2	1
SPRING	SHUNT TERMINAL-B #5	SHUNT TERMINAL-A #4	RING SPRING #3	TIP SPRING #2	EARTH TERMINAL #1	AXIS SUPPORT	COVER	HOUSING
2	SWC							
	t=0.35	t=0.35	t=0.25	t=0.25	t=0.45			
	MB: Ni	MB: Ni	MB: Ni	MB: Ni	MB: Ni	Ni		
	PLATED	PLATED	PLATED	PLATED	PLATED	PLATED		
							PC	
							TRANSPARENT	
							BLACK	
LTR	PART NAME	QTY	MATERIAL	REMARK				

Recommend of PC Board Holes
 Tolerance : ±0.05(Top view)

SCHEMATIC



Singatron Enterprise Co., Ltd.

-TOLERANCES-		UNLESS OTHERWISE SPECIFIED	
公差		公差	
X.X	±0.30	X.X'	±3'
X.XX	±0.25	X.XX'	±1'
X.XXX	±0.20		

TITLE	MINIATURE JACK
DWN	2002.11.13
CHKD	2002.11.13
APVD	2002.11.13
REV	1.1
SCALE	1:1
SIZE	A3
SHEET	1 OF 1
REV	A2

CUSTOMER COPY