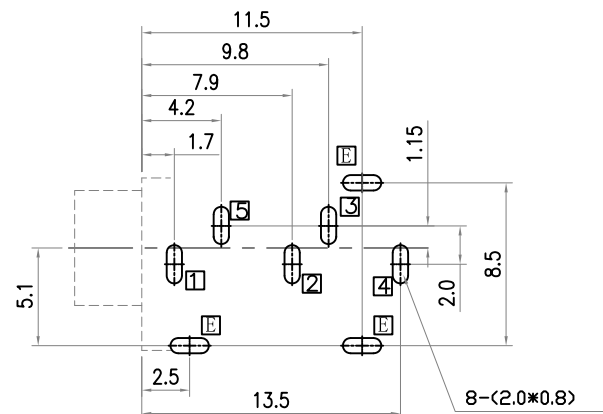
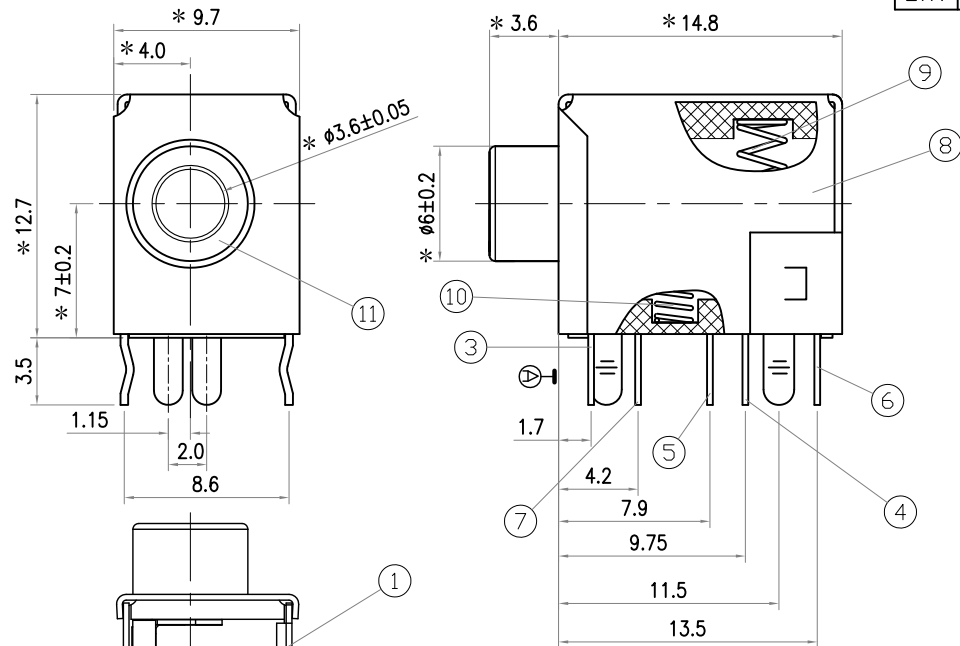


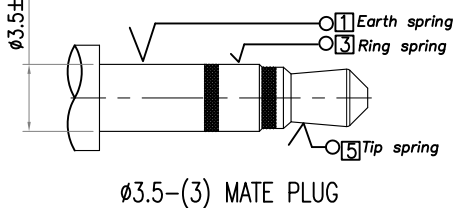
*: INDICATES THE KEY DIMENSIONS [*为重點尺寸]

* REVISIONS			
LTR	DESCRIPTION	DATE	APPROVED



Recommend of PC Board Holes
Tolerance : ± 0.05 (Top view)

P/N	2SJ-W035-33A	2SJ-W035-33B	2SJ-W035-33C	2SJ-W035-33D
Schematic				



- Notes:
- Electrical Characteristics:
 - Rating : DC 30V 0.5 A ;
 - Contact Resistance: $50m\Omega$ Max.(Initial), $100m\Omega$ Max.(Final) After test: $\leq 50m\Omega$;
 - Dielectric Withstanding Voltage: 500V AC for One Minute ;
 - Insulation Resistance: $100M\Omega$ Min. Measured By 500 VDC;
 - Mechanical Characteristics:
 - Plug Insertion Force 0.3~3.0Kgf (initial), 0.3~3.0Kgf (Final) life test;
 - Plug Extraction Force: 0.3~3.0Kgf (initial), 0.3~3.0Kgf (Final) life test;
 - Durability Test: 5,000 Cycles min;
 - Operating temperature: $-25^{\circ}C \sim +70^{\circ}C$;
 - Soldering Heat Resistance Reflow Soldering $230^{\circ}C$;
 - Plug Interface Dimensions Conform To EIAJ RC-5325A Spec;
 - Packaging: Plastic box;

LEAD FREE

11	BUSHING	1	COPPER ALLOY	Ni PLATED
10	SPRING-B	1	SPRING WIRE	Ni PLATED
9	SPRING-A	1	SPRING WIRE	Ni PLATED
8	SHELL	1	LRON	Ni PLATED
7	TIP SPRING	1	PHOSPHOR BRONZE t=0.25	MB:Cu Sn PLATED
6	SHUNT TERMANIL-B	1	BRASS t=0.30	MB:Cu Sn PLATED
5	SHUNT TERMANIL-A	1	BRASS t=0.30	MB:Cu Sn PLATED
4	RING SPRING	1	PHOSPHOR BRONZE t=0.25	MB:Cu Ag PLATED
3	EARTH TERMANIL	1	BRASS t=0.25	MB:Cu Sn PLATED
2	COVER	1	PBT	UL94V-0 BLACK
1	HOUSING	1	PBT	UL94V-0 BLACK

LTR	PART NAME	QTY	MATERIAL	REMARK
-TOLERANCES- UNLESS OTHERWISE SPECIFIED 公差				
X.X	± 0.30	X.X'	$\pm 3^{\circ}$	
X.XX	± 0.25	X.XX'	$\pm 1^{\circ}$	
X.XXX	± 0.20			

Singatron Enterprise Co., Ltd.

MINIATURE JACK

DWN 1.RP 2016.08.22 **PART NO.** 2SJ-W035-33

CHKD GAOWEI 2016.08.22 **SCALE** 1:1 **UNIT:** mm

APVD GAOWEI 2016.08.22 **SIZE:** A3 **SHEET:** 1 OF 1 **REV:**

CUSTOMER COPY