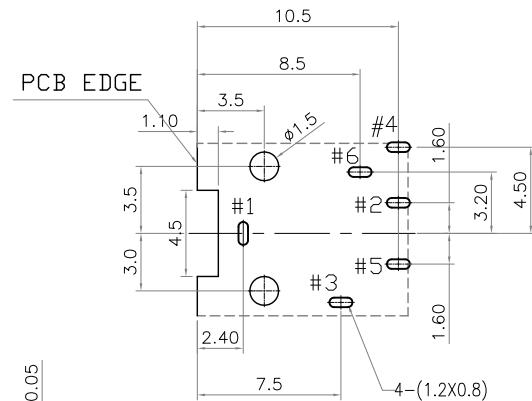
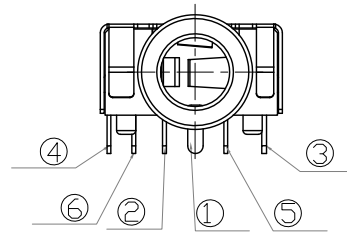
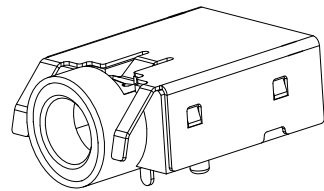
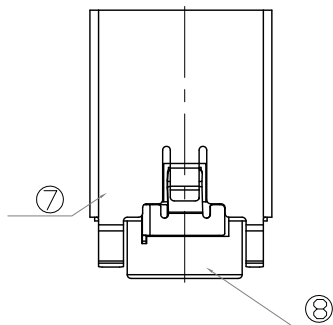


\*: INDICATES THE KEY DIMENSIONS [\*为重點尺寸]

* REVISIONS				
LTR	DESCRIPTION	DATE	REVISED	APPROVED

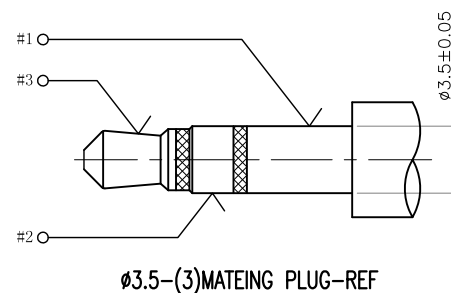
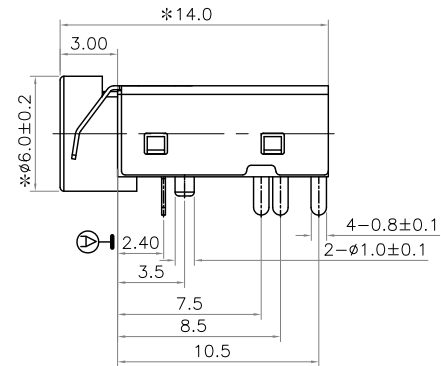
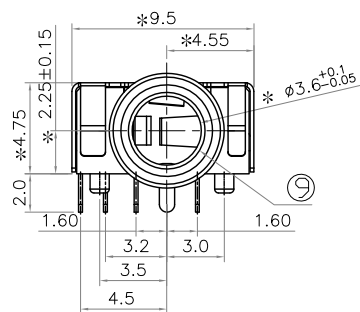


Recommend of PC Board Holes  
Tolerance : ±0.05(Top view)

CAT NO. INFORMATION:  
2SJ-W035-36XX

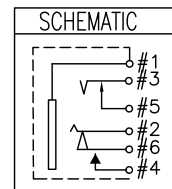
线路类型:A;

本体颜色:  
O1: GREEN;  
O2: PINK;  
B: BLACK;



ø3.5-(3)MATEING PLUG-REF

- Notes:
- Electrical Characteristics:
    - Rating : DC 30V 0.5 A ;
    - Contact Resistance: 50mΩ Max.(Initial), 100mΩ Max.(Final) After test: ≤50mΩ ;
    - Dielectric Withstanding Voltage: 500V AC for One Minute ;
    - Insulation Resistance: 100MΩ Min. Measured By 500 VDC;
  - Mechanical Characteristics:
    - Plug Insertion Force 0.3~3.0Kgf (initial), 0.3~3.0Kgf (Final) life test;
    - Plug Extraction Force: 0.3~3.0Kgf (initial), 0.3~3.0Kgf (Final) life test;
  - Durability Test: 5,000 Cycles min;
  - Operating temperature:-25°C ~ +70°C;
  - Soldering Heat Resistance Wave soldering 230°C (Support) or IR Reflow Soldering 260°C;
  - Plug Interface Dimensions Conform To EIAJ RC-5325A Spec;
  - Packaging: Plastic Tray ;



LEAD FREE

9	BUSHING	1	COPPER ALLOY	Ni Plated
8	HOUSING	1	PA9T	UL-94V0 (BLACK)
7	SHELL	1	STAINLESS STEEL t=0.20	Ni Plated
6	TERMINAL 6#	1	COPPER ALLOY t=0.20	MB:Ni Sn Plated
5	TERMINAL 5#	1	COPPER ALLOY t=0.20	MB:Ni Sn Plated
4	TERMINAL 4#	1	COPPER ALLOY t=0.20	MB:Ni Sn Plated
3	TERMINAL 3#	1	COPPER ALLOY t=0.25	MB:Ni Sn Plated
2	TERMINAL 2#	1	COPPER ALLOY t=0.20	MB:Ni Sn Plated
1	TERMINAL 1#	1	COPPER ALLOY t=0.20	MB:Ni Sn Plated

LTR	PART NAME	QTY	MATERIAL	REMARK
-TOLERANCES- UNLESS OTHERWISE SPECIFIED 公差				
X.X	±0.30	X.X'	±3"	
X.XX	±0.25	X.XX'	±1"	
X.XXX	±0.2			

Singatron Enterprise Co., Ltd.

TITLE: PHONF JACK

DWN 1.RP2013.08.27 PART NO. 2SJ-W035-36A

CHKD SAOWEI2013.08.27 SCALE 1:1 UNIT: mm

APVD SAOWEI2013.08.27 SIZE: A3 SHEET:1 OF 1 REV: 001

**CUSTOMER COPY**