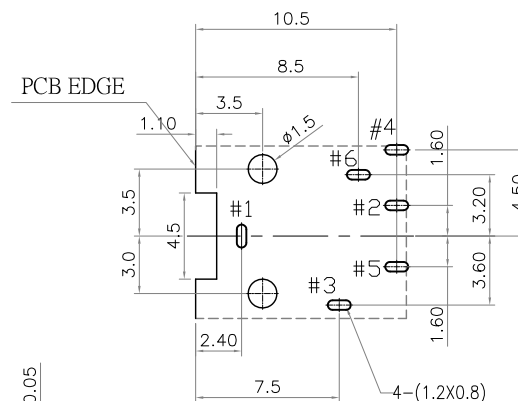
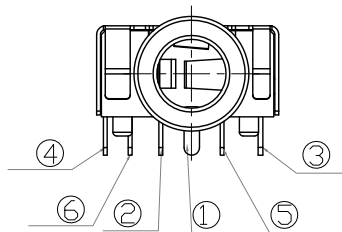
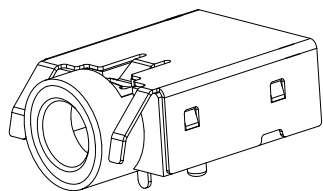
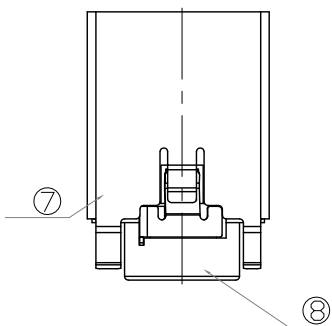


\*: INDICATES THE KEY DIMENSIONS [\*为重點尺寸]

* REVISIONS				
LTR	DESCRIPTION	DATE	REVISED	APPROVED



Recommend of PC Board Holes

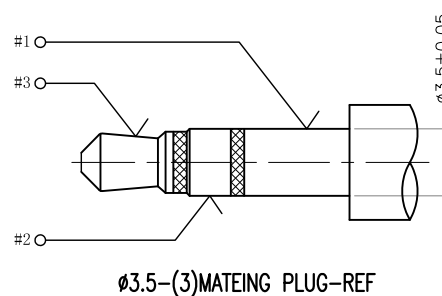
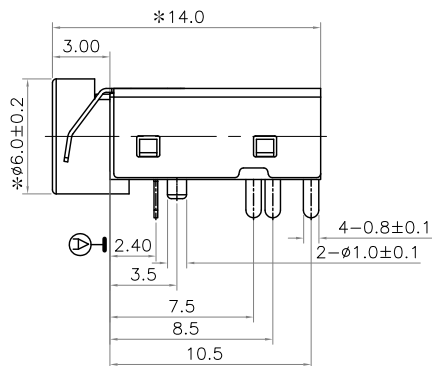
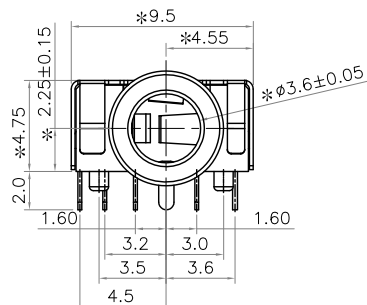
Tolerance : ±0.05(Top view)

CAT NO. INFORMATION:  
2SJ-W035-36Z XX

线路类型:A;

本体颜色:

01: GREEN;  
02: PINK;  
03: BLUE;  
B: BLACK;



Notes:

1. Electrical Characteristics:

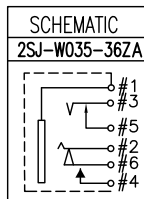
- 1-1. Rating : DC 30V 0.5 A ;
- 1-2. Contact Resistance: 50mΩ Max.(Initial),  
100mΩ Max.(Final) After test: ≤50mΩ ;
- 1-3. Dielectric Withstanding Voltage: 500V AC for One Minute ;
- 1-4. Insulation Resistance: 100MΩ Min. Measured By 500 VDC;

2. Mechanical Characteristics:

- 2-1. Plug Insertion Force 0.3~3.0Kgf (initial),  
0.3~3.0Kgf (Final) life test;
- 2-2. Plug Extraction Force: 0.3~3.0Kgf (initial),  
0.3~3.0Kgf (Final) life test;

3. Durability Test: 5,000 Cycles min;

- 4. Operating temperature: -25°C ~ +70°C;
- 5. Soldering Heat Resistance Wave soldering 230°C (Support) or IR Reflow Soldering 260°C;
- 6. Plug Interface Dimensions Conform To EIAJ RC-5325A Spec;
- 7. Packaging: Tray ; Tape & Reel



LEAD FREE

8	HOUSING	1	PA9T	UL-94V0 (BLACK)
7	SHELL	1	STAINLESS STEEL t=0.20	Ni Plated
6	TERMINAL 6#	1	COPPER ALLOY t=0.20	MB:Ni Sn Plated
5	TERMINAL 5#	1	COPPER ALLOY t=0.20	MB:Ni Sn Plated
4	TERMINAL 4#	1	COPPER ALLOY t=0.20	MB:Ni Sn Plated
3	TERMINAL 3#	1	COPPER ALLOY t=0.25	MB:Ni Sn Plated
2	TERMINAL 2#	1	COPPER ALLOY t=0.20	MB:Ni Sn Plated
1	TERMINAL 1#	1	COPPER ALLOY t=0.20	MB:Ni Sn Plated
LTR	PART NAME	QTY	MATERIAL	REMARK

-TOLERANCES-  
UNLESS OTHERWISE SPECIFIED  
公差

Singatron Enterprise Co., Ltd.

		TITLE		PHONE JACK	
X.X ±0.30	X.X' ±3"	DWN	H.RP2013.08.27	PART NO. 2SJ-W035-36ZA	
X.XX ±0.25	X.XX' ±1"	CHKD	QAWWE2013.08.27	SCALE 1:1	UNIT: mm
X.XXX ±0.2		APVD	QAWWE2013.08.27	SIZE: A3	SHEET: 1 OF 1 REV:001
CUSTOMER COPY					