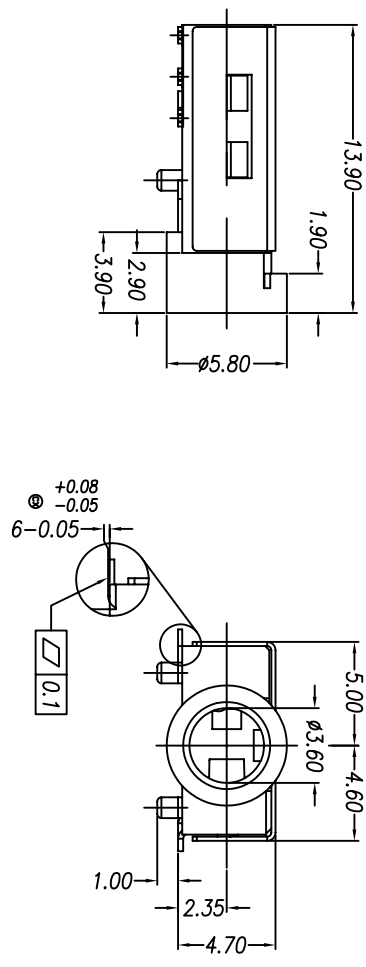
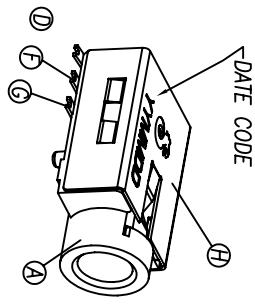
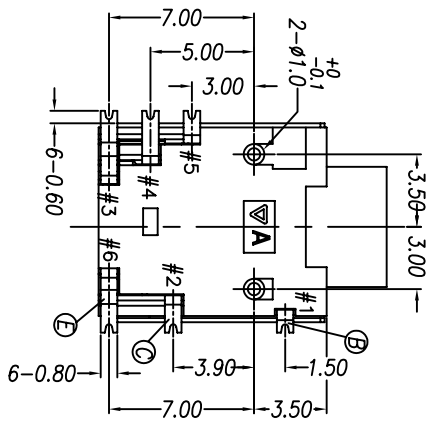
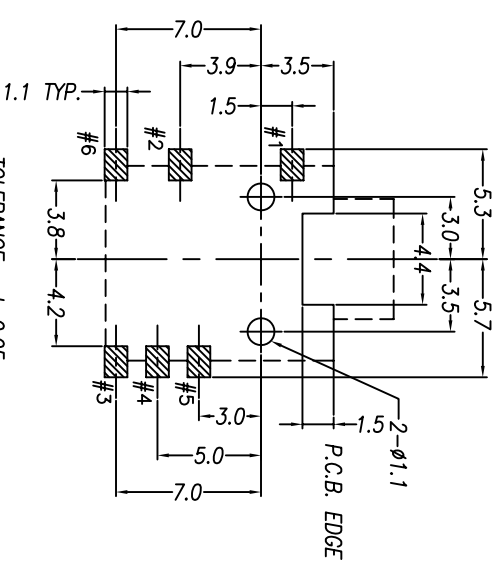


REV.	ECN NO OR DESCRIPTION	REVISED	DATE
A	PRODUCT RELEASE	LAO	20070503



- SPECIFICATIONS:**
- ELECTRICAL CHARACTERISTICS:**
 - 1-1. RATING: 12V 1A
 - 1-2. CONTACT RESISTANCE: 30mΩ MAX(BEFORE).
 - 1-3. DIELECTRIC VOLTAGE WITHSTAND: 500V AC FOR ONE MINUTE
 - 1-4. INSULATION RESISTANCE: 100M Ω MIN. MEASURED BY 500 VDC
 - MECHANICAL CHARACTERISTICS:**
 - 2-1. INSERTED FORCE : 3.5 KGS MAX
 - 2-2. WITHDRAWAL FORCE : 0.3~4.0 KGS
 - LIFE TEST:** 5,000 CYCLES MIN.
 - TO CONFORM TO THE "SE-01-001" & "ROHS DIRECTIVE"**
 - GREEN PRODUCT IDENTIFICATION MARK IN JACK:**
 - GREEN PRODUCT IDENTIFICATION LABEL IN PACKING:** **G.P. PASS**
 - FOR LEAD-FREE PROCESS.**
 - PACKAGE: TAPE & REEL.**

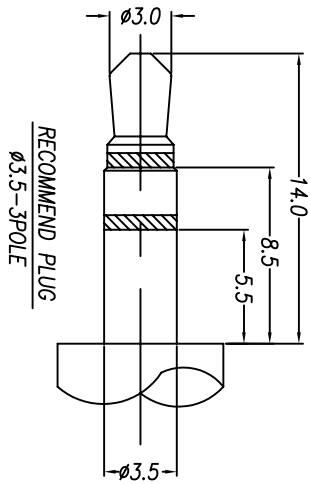
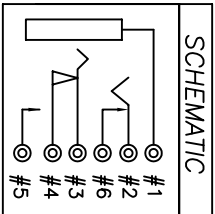


ORDER NO.
2SJ1006-001XXX

CONTACT PLATING
1. GOLD FLASH
NICKEL UNDERPLATING

PACKING
1. TAPE & REEL
BODY COLOR
1. BLACK
2. PINK 701C
3. BLUE 284C
4. LIME 577C

TOLERANCE : ± 0.05
RECOMMENDED P.C.B. LAYOUT
<TOP VIEW>



H	SHIELDING	1	COPPER ALLOY 0.2t	NICKEL PLATING
G	BREAK TERMINAL	1	PHOSPHOR BRONZE 0.2t	
F	TRANSFER TERMINAL	1	PHOSPHOR BRONZE 0.2t	
E	SHUNT TERMINAL-A	1	BRASS 0.25t	
D	RING SPRING	1	PHOSPHOR BRONZE 0.2t	SEE "ORDER NO."
C	TIP SPRING	1	PHOSPHOR BRONZE 0.25t	
B	EARTH	1	PHOSPHOR BRONZE 0.25t	
A	BODY	1	HIGH TEMP. THERMOPLASTIC UL 94V-0 MATERIAL	PLATING & COLOR

Singatron Enterprise Co., Ltd.
信音企業股份有限公司

DECIMALS:	ANGLES:	TITLE
X : ±0.5	X : ±2°	φ3.5 PHONE JACK
X.X : ±0.3	X.X : ±1°	DWN DW 2007.5/1 PART NO.: 2SJ1006-001XXX
X.XX : ±0.2		CHKD ANGLE 2007.5/1 SCALE: 4/1 UNIT: mm
		APVD ANGLE 2007.5/1 SIZE: A3 SHEET: 10F1 REV: A

CUSTOMER COPY