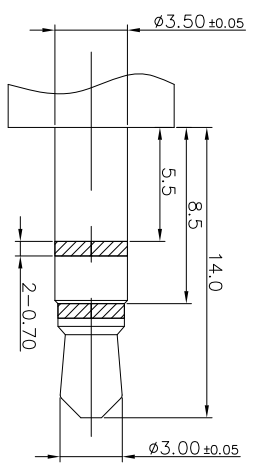
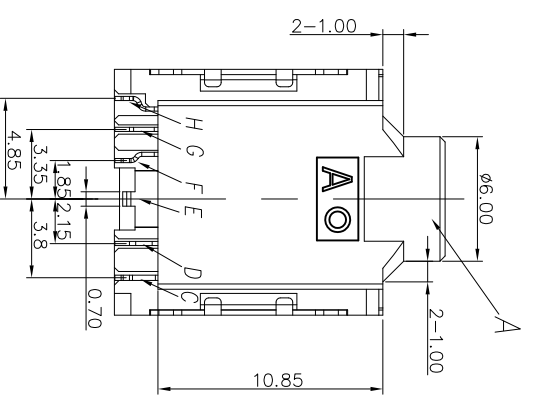
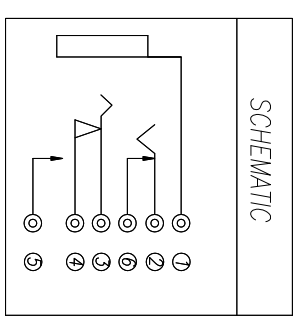
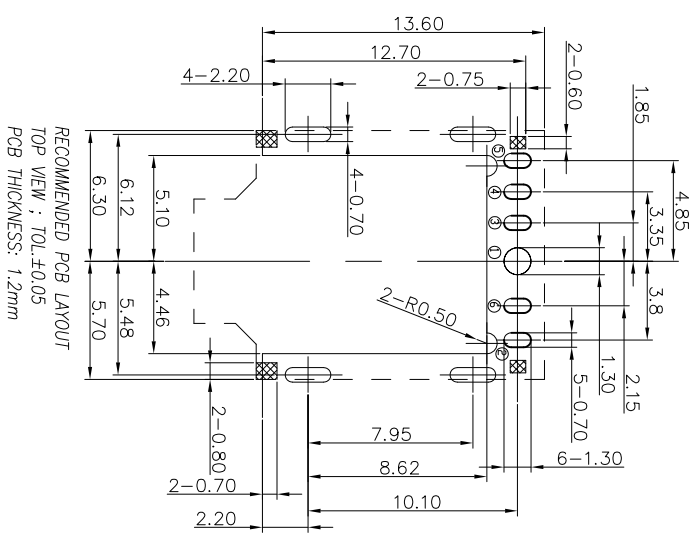
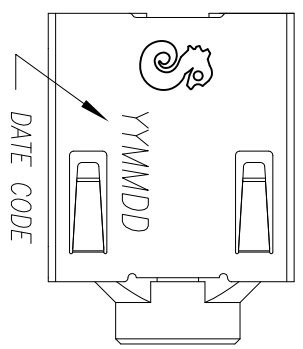
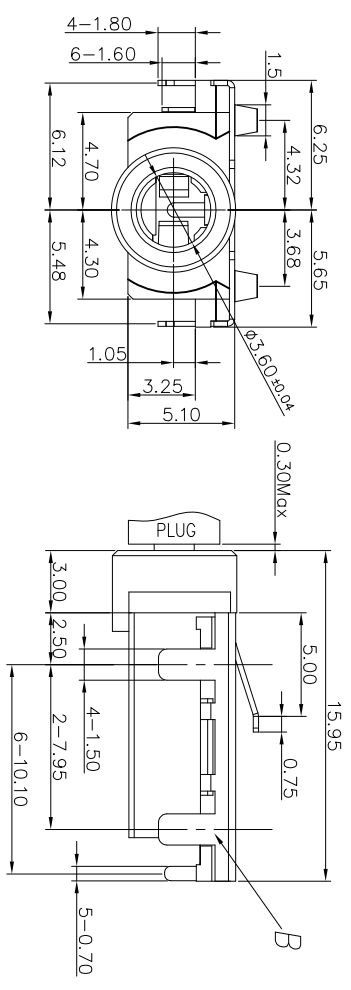


REV.	ECN NO.	OR DESCRIPTION	REVISED	DATE
A	PDR NO. T090311-3A	BRUCE	2009.06.08	
B	ECN NO. S100936	ANDY	2010.11.12	
C	ECN NO. S101212	ANDY	2010.12.29	



- SPECIFICATIONS:**
- INSULATION RESISTANCE BETWEEN ANY ADJACENT OPEN CIRCUIT TERMINAL SHELL NOT BE LESS THAN 100M MEASURED BY 500 VDC MEGGER.
 - INSULATION VOLTAGE WITHSTAND: 500V AC FOR ONE MINUTE.
 - CONTACT RESISTANCE: 30mΩ MAX.
 - UNLESS OTHERWISE SPECIFIED, TEST IS TO BE MADE AT 5-35°C IN TEMPERATURE AND 45-85% IN HUMIDITY. BUT IF ANY VAGUE DATA IS OCCURED ON TEST RESULT, ANOTHER TEST SHALL BE MADE AT 20°C±2°C IN TEMP., 60-70% IN HUMIDITY.
 - LIFE TEST: 5,000 CYCLES MIN. (NON-LOAD)
 - INSERTION FORCE: 0.4 - 3kg.
 - WITHDRAWAL FORCE: 0.3 - 2kg.
 - AFTER LIFE TEST, CONTACT RESISTANCE: 50mΩ MAX.
 - AFTER HUMIDITY TEST, INSULATION RESISTANCE: 50MΩ MIN.
 - MARKING: MARK "S" ON TOP OF CONNECTOR.
 - PACKAGING: TAPE & REEL.
 - TO CONFORM TO SINGATRON HAZARDOUS SUBSTANCE FREE SPEC
 - HALOGEN FREE PRODUCT IDENTIFICATION MARK ON PRODUCT:
 - HALOGEN FREE PRODUCT IDENTIFICATION LOGO ON PACKAGING: FOR LEAD-FREE PROCESS.

RECOMMENDED PCB LAYOUT
TOP VIEW : TOL: ±0.05
PCB THICKNESS: 1.2mm

NO	DESCRIPTION	QTY	MATERIAL	PLATING & COLOR
A	BODY	1	HIGH TEMP THERMOPLASTIC UL 94V-0	BLACK
B	SHELL	1	SPCC-SD 0.25t	Ni 60u Min.
C	TIP SPRING	1	PHOSPHOR BRONZE 0.25t	
D	SHUNT TERMINAL	1	PHOSPHOR BRONZE 0.2t	
E	EARTH	1	PHOSPHOR BRONZE 0.2t	
F	RING SPRING	1	PHOSPHOR BRONZE 0.2t	
G	TRANSFER TERMINAL	1	PHOSPHOR BRONZE 0.2t	GOLD PLATED ALL OVER
H	MAKE TERMINAL	1	PHOSPHOR BRONZE 0.2t	Ni 60u Min.

DECIMALS:	ANGLES:
X : ±0.5	X : ±2°
X.X : ±0.3	X.X : ±1°
X.XX : ±0.2	

TITLE	PART NO.	SCALE	UNIT	SHEET	REV.
ANDY	3.5Φ PHONE JACK	4:1	mm	1	C
LUSSEN	25J1012-029111				
APVD	TONY	A3		1	

Singatron Enterprise Co., Ltd.
信亨企業股份有限公司

3.5Φ PHONE JACK

PART NO. 25J1012-029111

SCALE: 4:1 UNIT: mm

SIZE: A3 SHEET: 1 OF 1 REV: C

CUSTOMER COPY